






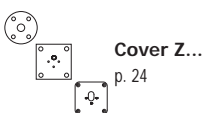


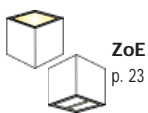
[trizo] 21[®]

Index

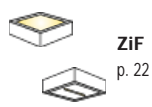
Wall	p.5-24	
Wall-Ceiling	p.25-140	
Ceiling	p.141-209	
Suspension	p.211-253	
Recessed	p.255-278	
Floor & Table	p.279-289	
Outdoor	p.291-320	



Cover Z...
p. 24



ZoE
p. 23



ZiF
p. 22



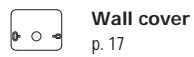
Wall cover
p. 11



Code wall IN
p. 6 - 11



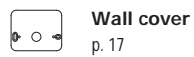
Izor plug-in
p. 12 - 13



Wall cover
p. 17



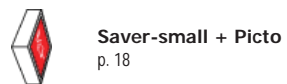
Max-im
p. 14 - 15



Wall cover
p. 17



Min-im
p. 16 - 17



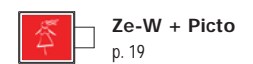
Saver-small + Picto
p. 18



Saver-big + Picto
p. 18



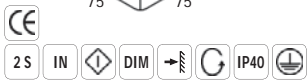
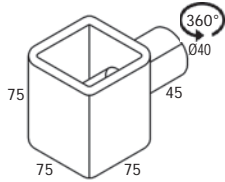
Zi-W + Picto
p. 20



Ze-W + Picto
p. 19



Code wall IN - 230V

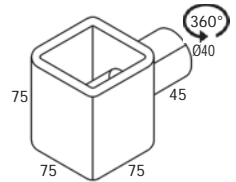


colour	code
alu	CO.DE.3005
black	CO.DE.2005
white	CO.DE.1005
chrome	CO.DE.9005
gold	CO.DE.8005

230...240V - G9 - max. 1 x 60W
 Wall cover Code wall see p.11



Code wall IN - 12V



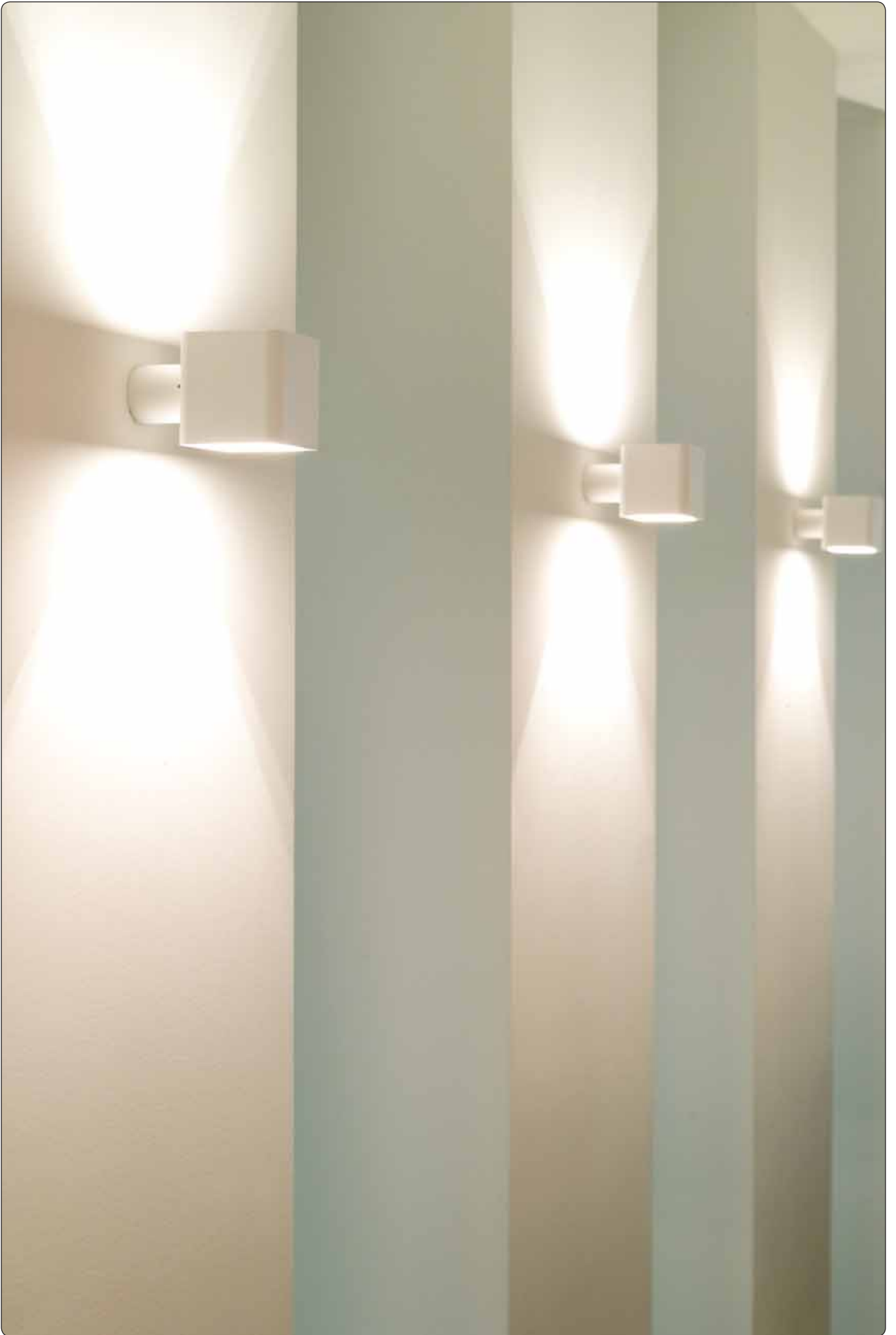
colour	code
alu	CO.DE.3125
black	CO.DE.2125
white	CO.DE.1125
chrome	CO.DE.9125
gold	CO.DE.8125

12V - GY6,35 - max. 1 x 50W
 transfo. excluded
 Wall cover Code wall see p.11

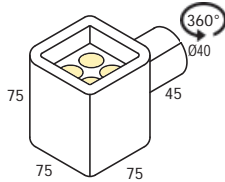








Code wall IN - LED 1-side



Cold white

colour	code	code	code
alu + grey*	CO.DE.3557/ N	CO.DE.3557/ M	CO.DE.3557/ W
black + grey*	CO.DE.2557/ N	CO.DE.2557/ M	CO.DE.2557/ W
white + grey*	CO.DE.1557/ N	CO.DE.1557/ M	CO.DE.1557/ W
chrome + grey*	CO.DE.9557/ N	CO.DE.9557/ M	CO.DE.9557/ W
gold + grey*	CO.DE.8557/ N	CO.DE.8557/ M	CO.DE.8557/ W

350mA - Poweredled - 4 x 1W
power supply excluded / poweredled included
Wall cover Code wall see p.11
 * LED-holder

N = Narrow beam: ± 10°
M = Medium beam: ± 25°
W = Wide beam: ± 40°

Warm white

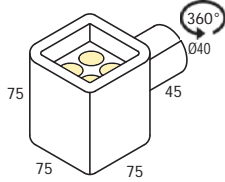
colour	code	code	code
alu + grey*	CO.DE.3555/ N	CO.DE.3555/ M	CO.DE.3555/ W
black + grey*	CO.DE.2555/ N	CO.DE.2555/ M	CO.DE.2555/ W
white + grey*	CO.DE.1555/ N	CO.DE.1555/ M	CO.DE.1555/ W
chrome + grey*	CO.DE.9555/ N	CO.DE.9555/ M	CO.DE.9555/ W
gold + grey*	CO.DE.8555/ N	CO.DE.8555/ M	CO.DE.8555/ W

350mA - Poweredled - 4 x 1W
power supply excluded / poweredled included
Wall cover Code wall see p.11
 * LED-holder

N = Narrow beam: ± 10°
M = Medium beam: ± 25°
W = Wide beam: ± 40°



Code wall IN - LED 2-sides



Cold white

colour	code	code	code
alu + grey*	CO.DE.3668/ N	CO.DE.3668/ M	CO.DE.3668/ W
black + grey*	CO.DE.2668/ N	CO.DE.2668/ M	CO.DE.2668/ W
white + grey*	CO.DE.1668/ N	CO.DE.1668/ M	CO.DE.1668/ W
chrome + grey*	CO.DE.9668/ N	CO.DE.9668/ M	CO.DE.9668/ W
gold + grey*	CO.DE.8668/ N	CO.DE.8668/ M	CO.DE.8668/ W

350mA - Powered - 8 x 1W
power supply excluded / powered included
 Wall cover Code wall see p.11
 * LED-holder

N = Narrow beam: ± 10°
M = Medium beam: ± 25°
W = Wide beam: ± 40°

Warm white

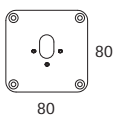
colour	code	code	code
alu + grey*	CO.DE.3666/ N	CO.DE.3666/ M	CO.DE.3666/ W
black + grey*	CO.DE.2666/ N	CO.DE.2666/ M	CO.DE.2666/ W
white + grey*	CO.DE.1666/ N	CO.DE.1666/ M	CO.DE.1666/ W
chrome + grey*	CO.DE.9666/ N	CO.DE.9666/ M	CO.DE.9666/ W
gold + grey*	CO.DE.8666/ N	CO.DE.8666/ M	CO.DE.8666/ W

350mA - Powered - 8 x 1W
power supply excluded / powered included
 Wall cover Code wall see p.11
 * LED-holder

N = Narrow beam: ± 10°
M = Medium beam: ± 25°
W = Wide beam: ± 40°

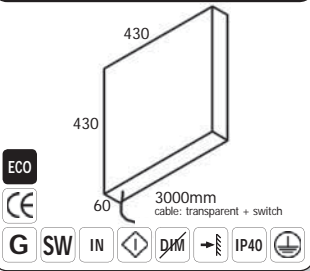


Wall cover Code wall IN




colour	code
alu	AC.DE.3005
black	AC.DE.2005
white	AC.DE.1005
chrome	AC.DE.9005
gold	AC.DE.8005


Izor plug-in



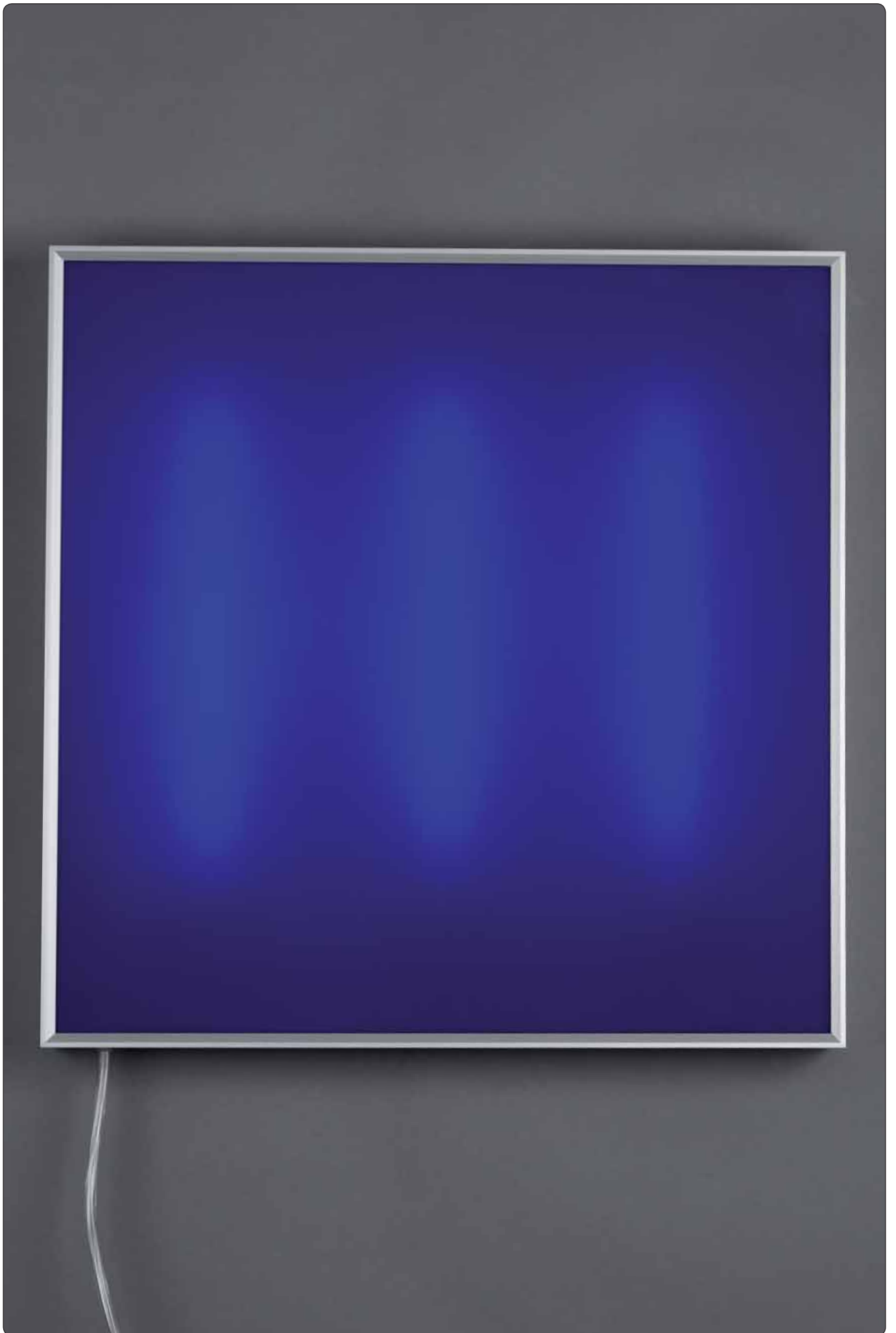
colour	colour side	code
ano	white	PL.UG.4201
	red	PL.UG.4202
	blue	PL.UG.4203
	green	PL.UG.4204
	orange	PL.UG.4205
	fuchsia	PL.UG.4206

230...240V - 2G11 - 2 x TCL 24W 
gear included

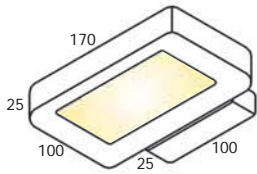
colour	colour side	code
ano	white	PL.UG.4301
	red	PL.UG.4302
	blue	PL.UG.4303
	green	PL.UG.4304
	orange	PL.UG.4305
	fuchsia	PL.UG.4306

230...240V - 2G11 - 3 x TCL 24W 
gear included





Max-im



colour	code
black	MA.XI.2051
white	MA.XI.1051
grey	MA.XI.4051
chrome	MA.XI.9051
gold	MA.XI.8051


230...240V - R7s 114,2mm
max. 1 x 150W
Wall cover Max-im see p.17



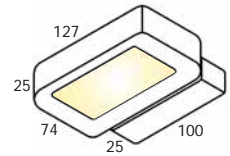




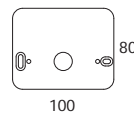
colour	code
black	MI.NI.2031
white	MI.NI.1031
grey	MI.NI.4031
chrome	MI.NI.9031
gold	MI.NI.8031

230...240V - R7s 74,9mm 
 max. 1 x 60W
 Wall cover Min-im see p.17

Min-im



Wall cover Max-im & Min-im

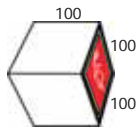


colour	code
black	AC.XI.2051
white	AC.XI.1051
grey	AC.XI.4051
chrome	AC.XI.9051
gold	AC.XI.8051

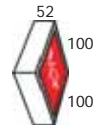





Saver-big IN + Picto




Saver-small IN + Picto



Picto	colour	code
man & lady		BS.PR.5030
man	alu	BS.PR.5031
lady		BS.PR.5032
<hr/>		
man & lady		BS.PR.6030
man	alu + white	BS.PR.6031
lady		BS.PR.6032

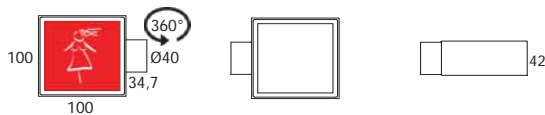
230...240V - GX 53 - 1 x Micro lynx F or Micro lynx LED 

Picto	colour	code
man & lady		SS.PR.5010
man	alu	SS.PR.5011
lady		SS.PR.5012
<hr/>		
man & lady		SS.PR.6010
man	alu + white	SS.PR.6011
lady		SS.PR.6012

230...240V - GX 53 - 1 x Micro lynx F or Micro lynx LED 



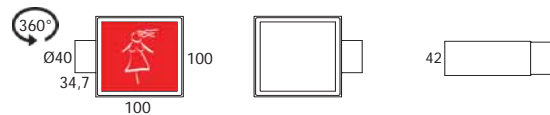
Ze-W IN + Picto Left



Picto	colour	code
1 side man & lady + 1 side alu		ZE.PR.3802
1 side man + 1 side alu	alu	ZE.PR.3805
1 side lady + 1 side alu		ZE.PR.3806
<hr/>		
1 side man & lady + 1 side white		ZE.PR.1802
1 side man + 1 side white	alu + white	ZE.PR.1805
1 side lady + 1 side white		ZE.PR.1806

230...240V - G9 - max. 1 x 40W
Wall cover Ze see p.24

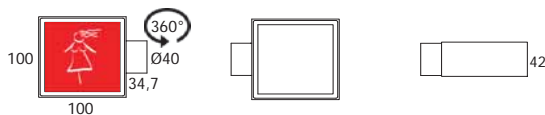
Ze-W IN + Picto Right



Picto	colour	code
1 side man & lady + 1 side alu		ZE.PR.3902
1 side man + 1 side alu	alu	ZE.PR.3905
1 side lady + 1 side alu		ZE.PR.3906
<hr/>		
1 side man & lady + 1 side white		ZE.PR.1902
1 side man + 1 side white	alu + white	ZE.PR.1905
1 side lady + 1 side white		ZE.PR.1906

230...240V - G9 - max. 1 x 40W
Wall cover Ze see p.24

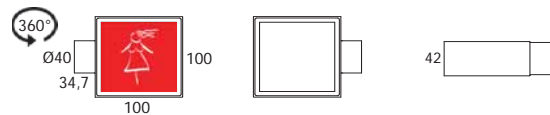
ZeZe-W IN + Picto Left



Picto	colour	code
1 side man & lady + 1 side alu		ZE.PR.3812
1 side man + 1 side alu	alu	ZE.PR.3815
1 side lady + 1 side alu		ZE.PR.3816
<hr/>		
1 side man & lady + 1 side white		ZE.PR.1812
1 side man + 1 side white	alu + white	ZE.PR.1815
1 side lady + 1 side white		ZE.PR.1816

12V - GY6,35 - max. 1 x 35W
transfo. excluded
Wall cover ZeZe see p.24

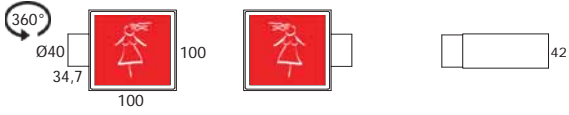
ZeZe-W IN + Picto Right



Picto	colour	code
1 side man & lady + 1 side alu		ZE.PR.3912
1 side man + 1 side alu	alu	ZE.PR.3915
1 side lady + 1 side alu		ZE.PR.3916
<hr/>		
1 side man & lady + 1 side white		ZE.PR.1912
1 side man + 1 side white	alu + white	ZE.PR.1915
1 side lady + 1 side white		ZE.PR.1916

12V - GY6,35 - max. 1 x 35W
transfo. excluded
Wall cover ZeZe see p.24

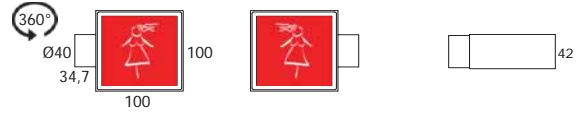
Zi-W IN + Picto



Picto	colour	code
2 sides man & lady		21.PR.3802
2 sides man	alu	21.PR.3805
2 sides lady		21.PR.3806
<hr/>		
2 sides man & lady		21.PR.1802
2 sides man	alu + white	21.PR.1805
2 sides lady		21.PR.1806

230...240V - G9 - max. 1 x 40W
 Wall cover Zi see p.24

ZiU-W IN + Picto

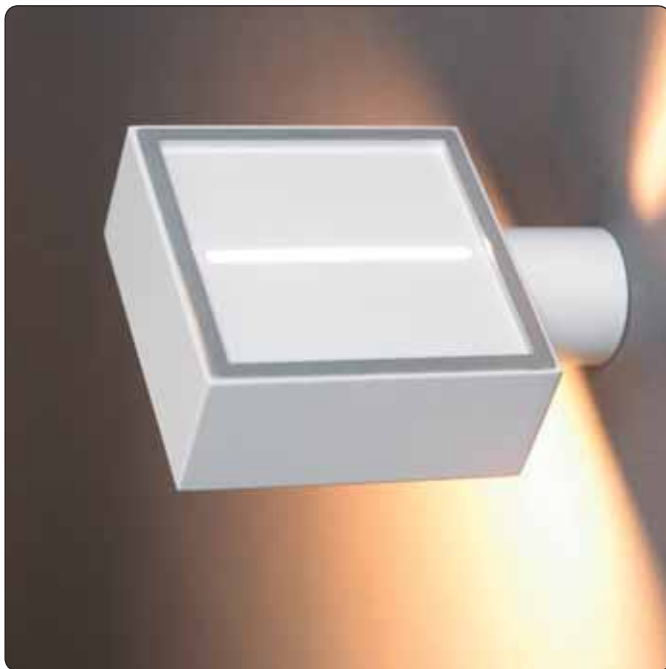


Picto	colour	code
2 sides man & lady		21.PR.3812
2 sides man	alu	21.PR.3825
2 sides lady		21.PR.3826
<hr/>		
2 sides man & lady		21.PR.1812
2 sides man	alu + white	21.PR.1825
2 sides lady		21.PR.1826

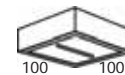
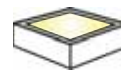
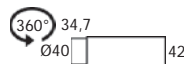
12V - GY6,35 - max. 1 x 35W
 transfo. excluded
 Wall cover ZIU see p.24







ZiF IN

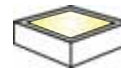


	colour	code
1 side frosted glass + 1 side alu		21.PR.3803
1 side blue frosted glass + 1 side alu		21.PR.3853
1 side red frosted glass + 1 side alu		21.PR.3863
1 side green frosted glass + 1 side alu	alu	21.PR.3873
1 side blue transparent glass + 1 side alu		21.PR.3823
1 side red transparent glass + 1 side alu		21.PR.3833
1 side green transparent glass + 1 side alu		21.PR.3843

1 side frosted glass + 1 side white		21.PR.1803
1 side blue frosted glass + 1 side white		21.PR.1853
1 side red frosted glass + 1 side white	alu	21.PR.1863
1 side green frosted glass + 1 side white	+ white	21.PR.1873
1 side blue transparent glass + 1 side white		21.PR.1823
1 side red transparent glass + 1 side white		21.PR.1833
1 side green transparent glass + 1 side white		21.PR.1843

230...240V - G9 - max. 1 x 60W
Wall cover ZiF see p.24

ZiFu IN



	colour	code
1 side frosted glass + 1 side alu		21.PR.3813
1 side blue frosted glass + 1 side alu		21.PR.3835
1 side red frosted glass + 1 side alu		21.PR.3836
1 side green frosted glass + 1 side alu	alu	21.PR.3837
1 side blue transparent glass + 1 side alu		21.PR.3838
1 side red transparent glass + 1 side alu		21.PR.3839
1 side green transparent glass + 1 side alu		21.PR.3834

1 side frosted glass + 1 side white		21.PR.1813
1 side blue frosted glass + 1 side white		21.PR.1835
1 side red frosted glass + 1 side white	alu	21.PR.1836
1 side green frosted glass + 1 side white	+ white	21.PR.1837
1 side blue transparent glass + 1 side white		21.PR.1838
1 side red transparent glass + 1 side white		21.PR.1839
1 side green transparent glass + 1 side white		21.PR.1834

12V - GY6,35 - max. 1 x 50W
transfo. excluded
Wall cover ZiFu see p.24

ZoE IN



	colour	code
1 side frosted glass + 1 side alu		21.PR.3903
1 side blue frosted glass + 1 side alu		21.PR.3953
1 side red frosted glass + 1 side alu		21.PR.3963
1 side green frosted glass + 1 side alu	alu	21.PR.3973
1 side blue transparent glass + 1 side alu		21.PR.3923
1 side red transparent glass + 1 side alu		21.PR.3933
1 side green transparent glass + 1 side alu		21.PR.3943

1 side frosted glass + 1 side white		21.PR.1903
1 side blue frosted glass + 1 side white		21.PR.1953
1 side red frosted glass + 1 side white	alu	21.PR.1963
1 side green frosted glass + 1 side white	+ white	21.PR.1973
1 side blue transparent glass + 1 side white		21.PR.1923
1 side red transparent glass + 1 side white		21.PR.1933
1 side green transparent glass + 1 side white		21.PR.1943

230...240V - G9 - max. 1 x 60W
Wall cover ZoE see p.24

ZoZoE IN



	colour	code
1 side frosted glass + 1 side alu		21.PR.3913
1 side blue frosted glass + 1 side alu		21.PR.3935
1 side red frosted glass + 1 side alu		21.PR.3936
1 side green frosted glass + 1 side alu	alu	21.PR.3937
1 side blue transparent glass + 1 side alu		21.PR.3938
1 side red transparent glass + 1 side alu		21.PR.3939
1 side green transparent glass + 1 side alu		21.PR.3934

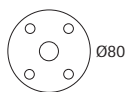
1 side frosted glass + 1 side white		21.PR.1913
1 side blue frosted glass + 1 side white		21.PR.1935
1 side red frosted glass + 1 side white	alu	21.PR.1936
1 side green frosted glass + 1 side white	+ white	21.PR.1937
1 side blue transparent glass + 1 side white		21.PR.1938
1 side red transparent glass + 1 side white		21.PR.1939
1 side green transparent glass + 1 side white		21.PR.1934

12V - GY6,35 - max. 1 x 50W
transfo. excluded
Wall cover ZoZoE see p.24





Cover Z...



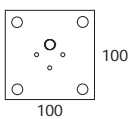
wall or ceiling cover round IN

colour

alu

code

21.AC.3200



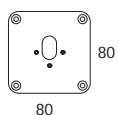
wall or ceiling cover square IN

alu

21.AC.3201

white

21.AC.5202

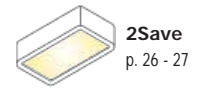


wall or ceiling cover square rounded IN

alu

AC.DE.3005

WALL / CEILING INDOOR



2Save
p. 26 - 27



Cri-ate W/C
p. 28 - 37



Cover
p. 39



E-car
p. 38 - 41



Estra W/C
p. 42 - 43



Cover
p. 39



I-car
p. 38 - 41



Izor supplement
p. 63



Izor W/C
p. 44 - 63



Cover
p. 79



Kwa-kwa
p. 70 - 79



Kwa-adju
p. 64-69



Mini-pi
p. 80 - 83



Pin-up
p. 87 - 91



Pin-in
p. 84 - 86



Saver-small
p. 92 - 93



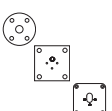
Saver-big
p. 92 - 93



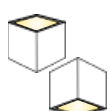
Scar-led
p. 94 - 129



Tizor W/C
p. 130 - 133



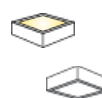
Cover Z...
p. 140



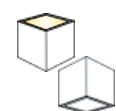
Zo IN
p. 139



Zi IN
p. 136-138



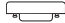
Ze IN
p. 135



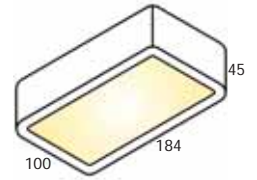
Za IN
p. 134

white diffuser glass

colour	code
alu	SA.PL.3012
black	SA.PL.2012
white	SA.PL.1012
chrome	SA.PL.9012
gold	SA.PL.8012

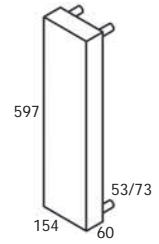
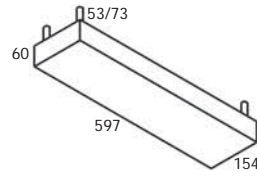
230...240V - GX 53 - 2 x Micro lynx F or Micro lynx LED 

2Save





Cri-ate 61 G-W/C & 62 G-W/C



Cri-ate 61 G-W/C

2 sides PMMA white

colour

ano

code

CR.WC.0002

230...240V - G5 - 1 x T5 - HO 24W

Cri-ate 62 G-W/C

2 sides PMMA white

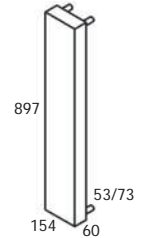
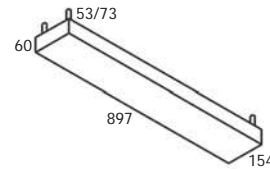
ano

CR.WC.0004

230...240V - G5 - 2 x T5 - HO 24W

gear included

Cri-ate 91 G-W/C & 92 G-W/C



Cri-ate 91 G-W/C

2 sides PMMA white

colour

ano

code

CR.WC.0006

230...240V - G5 - 1 x T5 - HE 21W

Cri-ate 92 G-W/C

2 sides PMMA white

ano

CR.WC.0007

230...240V - G5 - 2 x T5 - HE 21W

Cri-ate 92 G-W/C

2 sides PMMA white

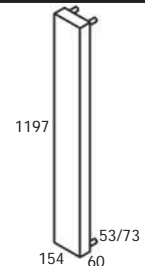
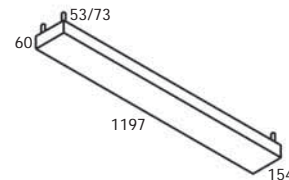
ano

CR.WC.0008

230...240V - G5 - 2 x T5 - HO 39W

gear included

Cri-ate 122 G-W/C



Cri-ate 122 G-W/C

2 sides PMMA white

colour

ano

code

CR.WC.0010

230...240V - G5 - 2 x T5 - HE 28W

Cri-ate 122 G-W/C

2 sides PMMA white

ano

CR.WC.0011

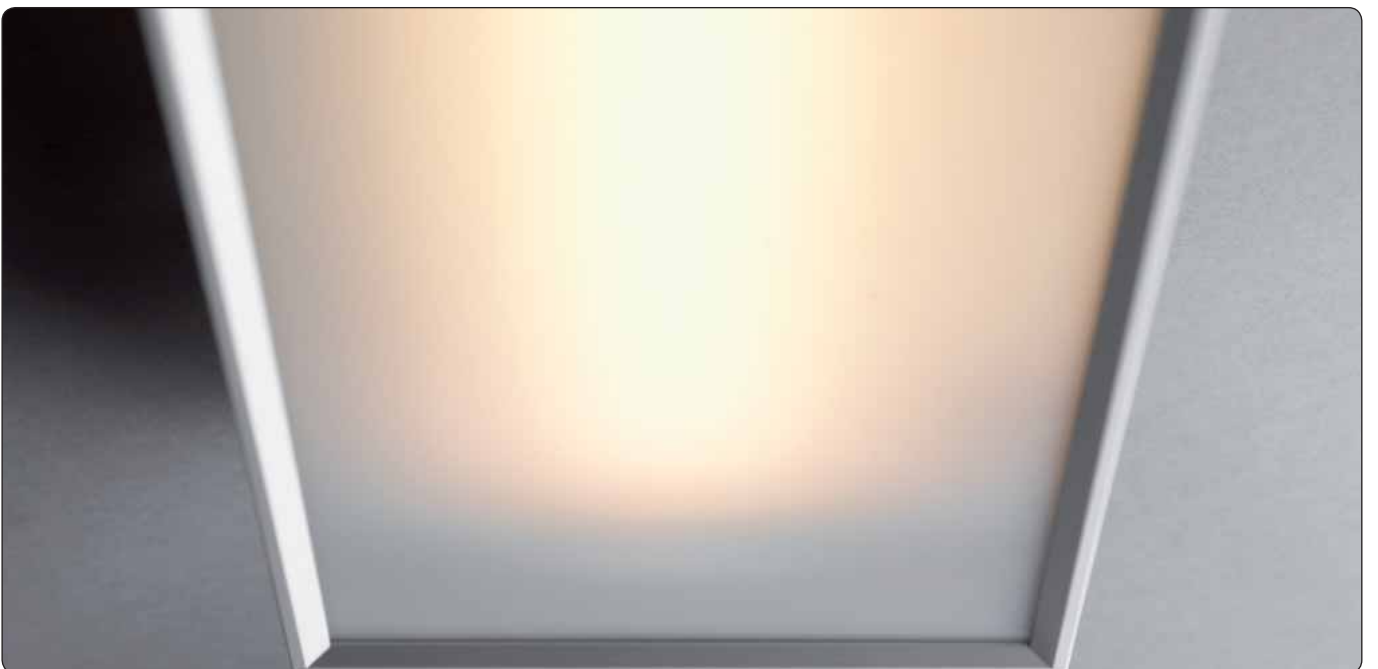
Cri-ate 122 G-W/C dimmable *

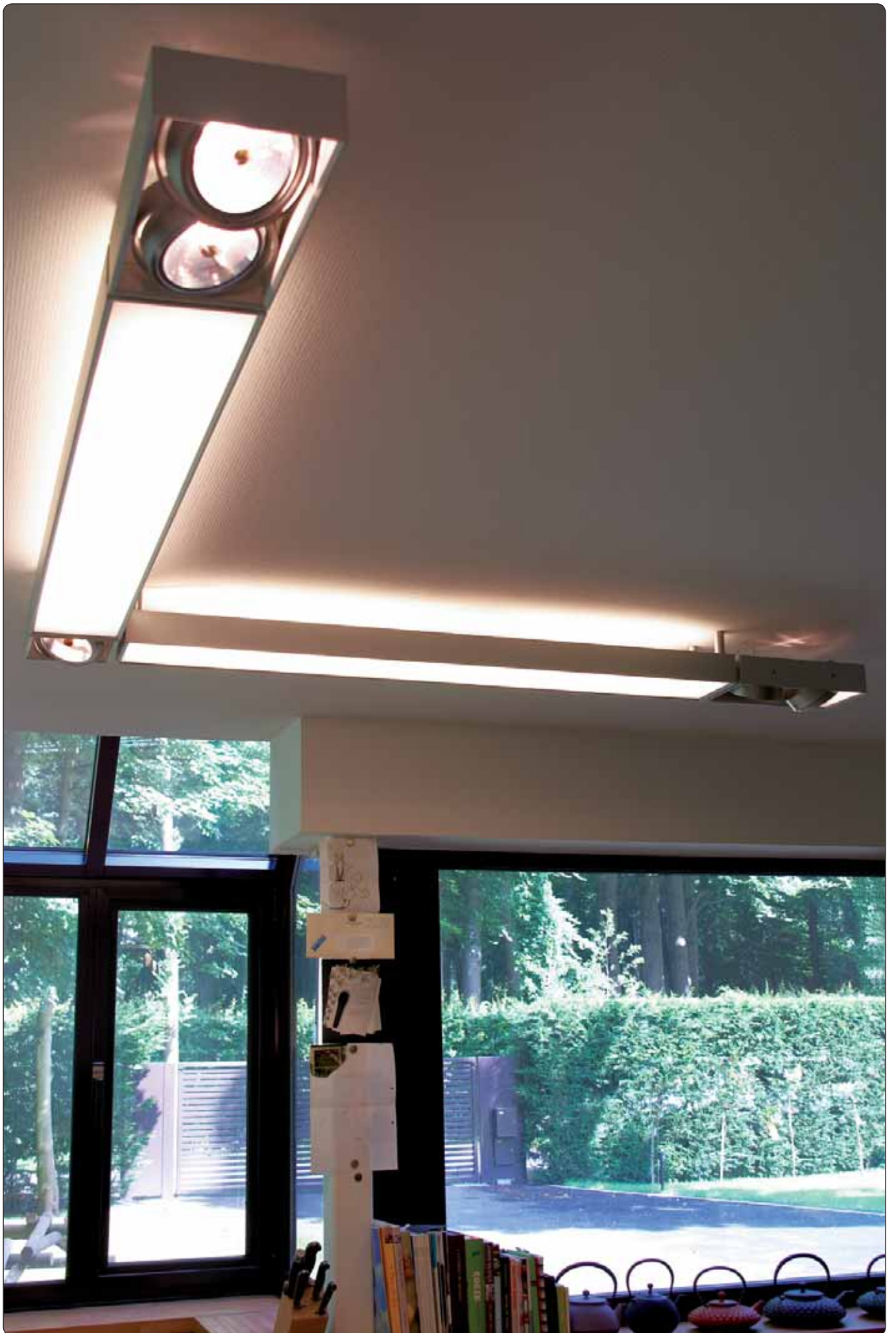
CR.D1.0011

230...240V - G5 - 2 x T5 - HO 54W

* dimmable 1-10V (switch-dim on demand)



gear included





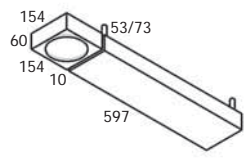
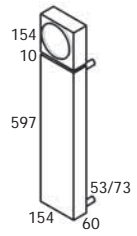












Cri-ate 61 GT1-W/C		colour	code
Cri-ate 61 GT1-W/C + 2 circuit *	2 sides PMMA white	ano	CR.WC.0102 CR.DC.0102
230...240V - G53 - 1 x QR111 - max. 50W  + G5 - 1 x T5 - HO 24W 			

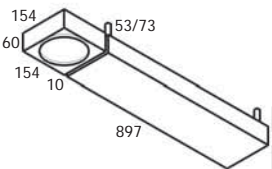
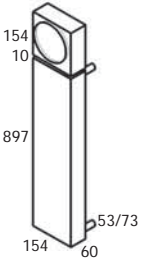
* 2 circuit = separate alimентация for T5 & QR111			
gear & transfo. included			









Cri-ate 61 GT1-W/C


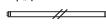















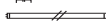
Cri-ate 91 GT1-W/C & 92 GT1-W/C


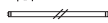










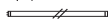
Cri-ate 91 GT1-W/C		colour	code
Cri-ate 91 GT1-W/C + 2 circuit *	2 sides PMMA white	ano	CR.WC.0106 CR.DC.0106
230...240V - G53 - 1 x QR111 - max. 50W  + G5 - 1 x T5 - HE 21W 			

Cri-ate 92 GT1-W/C		colour	code
Cri-ate 92 GT1-W/C + 2 circuit *	2 sides PMMA white	ano	CR.WC.0107 CR.DC.0107
230...240V - G53 - 1 x QR111 - max. 50W  + G5 - 2 x T5 - HE 21W 			

Cri-ate 92 GT1-W/C		colour	code
Cri-ate 92 GT1-W/C + 2 circuit *	2 sides PMMA white	ano	CR.WC.0108 CR.DC.0108
230...240V - G53 - 1 x QR111 - max. 50W  + G5 - 2 x T5 - HO 39W 			

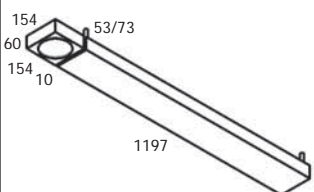
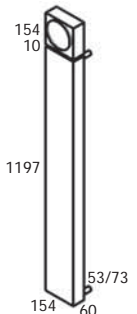
* 2 circuit = separate alimентация for T5 & QR111			
gear & transfo. included			









Cri-ate 122 GT1-W/C		colour	code
Cri-ate 122 GT1-W/C + 2 circuit *	2 sides PMMA white	ano	CR.WC.0110 CR.DC.0110
230...240V - G53 - 1 x QR111 - max. 50W  + G5 - 2 x T5 - HE 28W 			



Cri-ate 122 GT1-W/C		colour	code
Cri-ate 122 GT1-W/C + 2 circuit *	2 sides PMMA white	ano	CR.WC.0111 CR.DC.0111
Cri-ate 122 GT1-W/C DIM. + 2 circuit.**			CR.DI.0111
230...240V - G53 - 1 x QR111 - max. 50W  + G5 - 2 x T5 - HO 54W 			

* 2 circuit = separate alimентация for T5 & QR111			
** dimmable 2 x T5 - 54W (1-10V) + 2 circuit (switch-dim on demand)			
gear & transfo. included			

Cri-ate 122 GT1-W/C

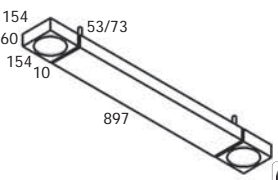
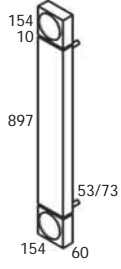






















Cri-ate 91 GT2-W/C		colour	code
Cri-ate 91 GT2-W/C + 2 circuit *	2 sides PMMA white	ano	CR.WC.0206 CR.DC.0206
230...240V - G53 - 2 x QR111 - max. 50W  + G5 - 1 x T5 - HE 21W 			

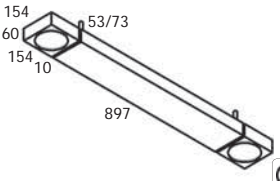
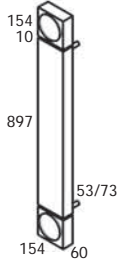
* 2 circuit = separate alimantation for T5 & QR111			
gear & transfo. included			











Cri-ate 91 GT2-W/C

Cri-ate 92 GT2-W/C







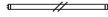











Cri-ate 92 GT2-W/C		colour	code
Cri-ate 92 GT2-W/C + 2 circuit *	2 sides PMMA white	ano	CR.WC.0207 CR.DC.0207
230...240V - G53 - 2 x QR111 - max. 50W  + G5 - 2 x T5 - HE 21W 			

Cri-ate 92 GT2-W/C		colour	code
Cri-ate 92 GT2-W/C + 2 circuit *	2 sides PMMA white	ano	CR.WC.0208 CR.DC.0208
230...240V - G53 - 2 x QR111 - max. 50W  + G5 - 2 x T5 - HO 39W 			

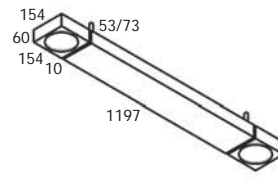
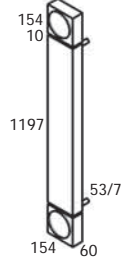
* 2 circuit = separate alimantation for T5 & QR111			
gear & transfo. included			











Cri-ate 122 GT2-W/C		colour	code
Cri-ate 122 GT2-W/C + 2 circuit *	2 sides PMMA white	ano	CR.WC.0210 CR.DC.0210
230...240V - G53 - 2 x QR111 - max. 50W  + G5 - 2 x T5 - HE 28W 			

Cri-ate 122 GT2-W/C		colour	code
Cri-ate 122 GT2-W/C + 2 circuit *	2 sides PMMA white	ano	CR.WC.0211 CR.DC.0211
Cri-ate 122 GT2-W/C DIM+ 2 circ.**			CR.DI.0211
230...240V - G53 - 2 x QR111 - max. 50W  + G5 - 2 x T5 - HO 54W 			

* 2 circuit = separate alimantation for T5 & QR111			
** dimmable 2 x T5 - 54W (1-10V) + 2 circuit (switch-dim on demand)			
gear & transfo. included			



Cri-ate 122 GT2-W/C

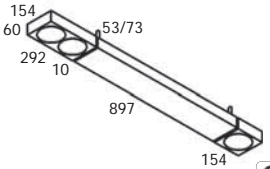
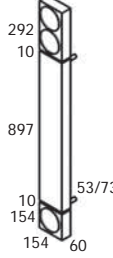
























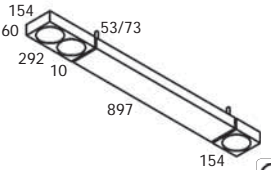
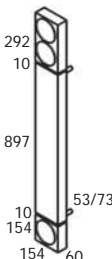
Cri-ate 91 GT3-W/C		colour	code
Cri-ate 91 GT3-W/C + 2 circuit *	2 sides PMMA white	ano	CR.WC.0306 CR.DC.0306
230...240V - G53 - 3 x QR111 - max. 50W  + G5 - 1 x T5 - HE 21W 			
* 2 circuit = separate alimention for T5 & QR111			
gear & transfo. included			










Cri-ate 91 GT3-W/C


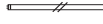






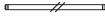

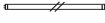
- 
- 
- 
- 
- 
- 
- 
- 
- 

Cri-ate 92 GT3-W/C

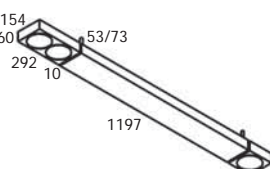
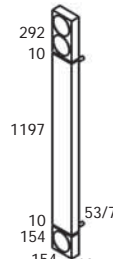












- 
- 
- 
- 
- 
- 
- 
- 
- 


Cri-ate 92 GT3-W/C		colour	code
Cri-ate 92 GT3-W/C + 2 circuit *	2 sides PMMA white	ano	CR.WC.0307 CR.DC.0307
230...240V - G53 - 3 x QR111 - max. 50W  + G5 - 2 x T5 - HE 21W 			
* 2 circuit = separate alimention for T5 & QR111			
Cri-ate 92 GT3-W/C		colour	code
Cri-ate 92 GT3-W/C + 2 circuit *	2 sides PMMA white	ano	CR.WC.0308 CR.DC.0308
230...240V - G53 - 3 x QR111 - max. 50W  + G5 - 2 x T5 - HO 39W 			
* 2 circuit = separate alimention for T5 & QR111			
gear & transfo. included			

Cri-ate 122 GT3-W/C		colour	code
Cri-ate 122 GT3-W/C + 2 circuit *	2 sides PMMA white	ano	CR.WC.0310 CR.DC.0310
230...240V - G53 - 3 x QR111 - max. 50W  + G5 - 2 x T5 - HE 28W 			
* 2 circuit = separate alimention for T5 & QR111			
Cri-ate 122 GT3-W/C		colour	code
Cri-ate 122 GT3-W/C + 2 circuit *	2 sides PMMA white	ano	CR.WC.0311 CR.DC.0311
Cri-ate 122 GT3-W/C DIM+ 2 circ.**			CR.DI.0311
230...240V - G53 - 3 x QR111 - max. 50W  + G5 - 2 x T5 - HO 54W 			
** dimmable 2 x T5 - 54W (1-10V) + 2 circuit (switch-dim on demand)			
gear & transfo. included			

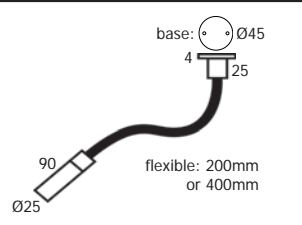
Cri-ate 122 GT3-W/C


- 
- 
- 
- 
- 
- 
- 
- 
- 

<p>E-car 1F round - 200mm E-car 1F round - 400mm</p> <p>min. H. 215cm 12V - GY6,35 - max. 1 x 20W  transfo. excluded Cover E-car see p.39</p>	<p>colour</p> <p>alu + black silicone</p> <p>code</p> <p>21.IN.3001 21.IN.3002</p>
--------------------------------------------------------------------------------------------------------------------------------------------------------------------------------------------------------------------------------------------------------------	------------------------------------------------------------------------------------------------------

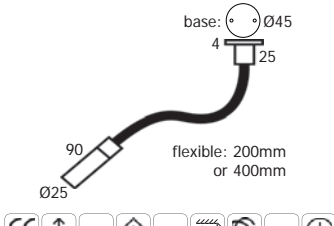
E-car 1F round




base: Ø45
4
25
90
Ø25
flexible: 200mm or 400mm



I-car 1F round



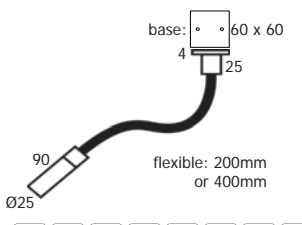
base: Ø45
4
25
90
Ø25
flexible: 200mm or 400mm




<p>I-car 1F round - 200mm I-car 1F round - 400mm</p> <p>min. H. 215cm 230...240V - G9 - max. 1 x 25W  Cover I-car see p.39</p>	<p>colour</p> <p>alu + black silicone</p> <p>code</p> <p>21.IN.3021 21.IN.3022</p>
------------------------------------------------------------------------------------------------------------------------------------------------------------------------------------------------------------------------------------	------------------------------------------------------------------------------------------------------

<p>E-car 1F square - 200mm E-car 1F square - 400mm</p> <p>min. H. 215cm 12V - GY6,35 - max. 1 x 20W  transfo. excluded Cover E-car see p.39</p>	<p>colour</p> <p>alu + black silicone</p> <p>code</p> <p>21.IN.4001 21.IN.4002</p>
------------------------------------------------------------------------------------------------------------------------------------------------------------------------------------------------------------------------------------------------------------------	------------------------------------------------------------------------------------------------------

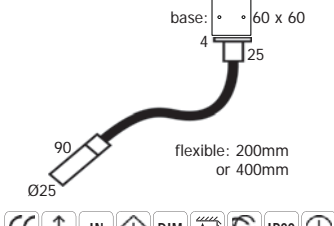
E-car 1F square




base: 60 x 60
4
25
90
Ø25
flexible: 200mm or 400mm

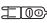


I-car 1F square




base: 60 x 60
4
25
90
Ø25
flexible: 200mm or 400mm

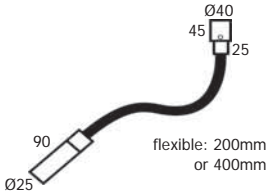


<p>I-car 1F - 200mm - square I-car 1F - 400mm - square</p> <p>min. H. 215cm 230...240V - G9 - max. 1 x 25W  Cover I-car see p.39</p>	<p>colour</p> <p>alu + black silicone</p> <p>code</p> <p>21.IN.4021 21.IN.4022</p>
--------------------------------------------------------------------------------------------------------------------------------------------------------------------------------------------------------------------------------------------	------------------------------------------------------------------------------------------------------




	colour	code
E-car 1F + B - 200mm E-car 1F + B - 400mm	alu + black silicone	21.SO.3001 21.SO.3002
min. H. 215cm 12V - GY6,35 - max. 1 x 20W  transfo. excluded		

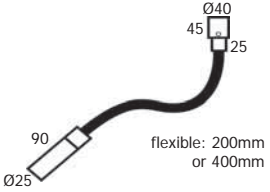
E-car 1F + B




flexible: 200mm or 400mm



I-car 1F + B



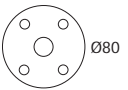
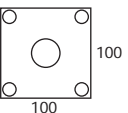
flexible: 200mm or 400mm




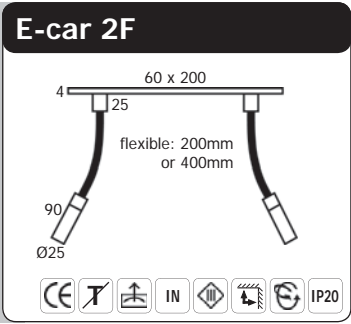
	colour	code
I-car 1F - 200mm + base I-car 1F - 400mm + base	alu + black silicone	21.SO.3021 21.SO.3022
min. H. 215cm 230...240V - G9 - max. 1 x 25W 		

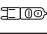


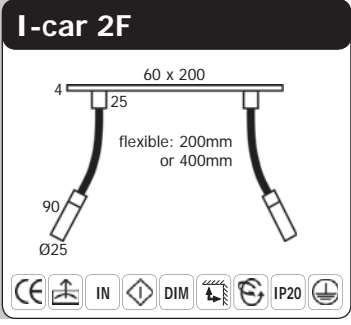
Cover E-car & I-car

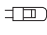
	colour	code
 wall or ceiling cover round IN	alu	21.AC.3200
 wall or ceiling cover square IN	alu	21.AC.3203

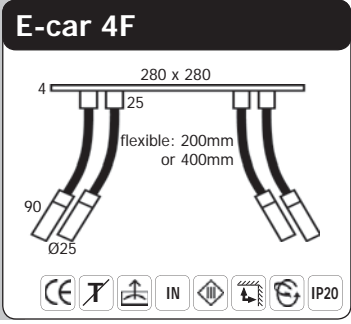
	colour	code
E-car 2F - 200mm	alu + black silicone	21.IN.3003
E-car 2F - 400mm		21.IN.3004
min. H. 215cm 12V - GY6,35 - max. 2 x 20W  transfo. excluded		

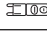


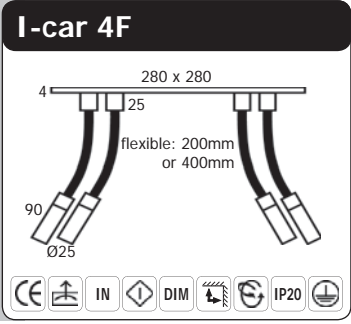
	colour	code
I-car 2F - 200mm	alu + black silicone	21.IN.3023
I-car 2F - 400mm		21.IN.3024
min. H. 215cm 230...240V - G9 - max. 2 x 25W 		

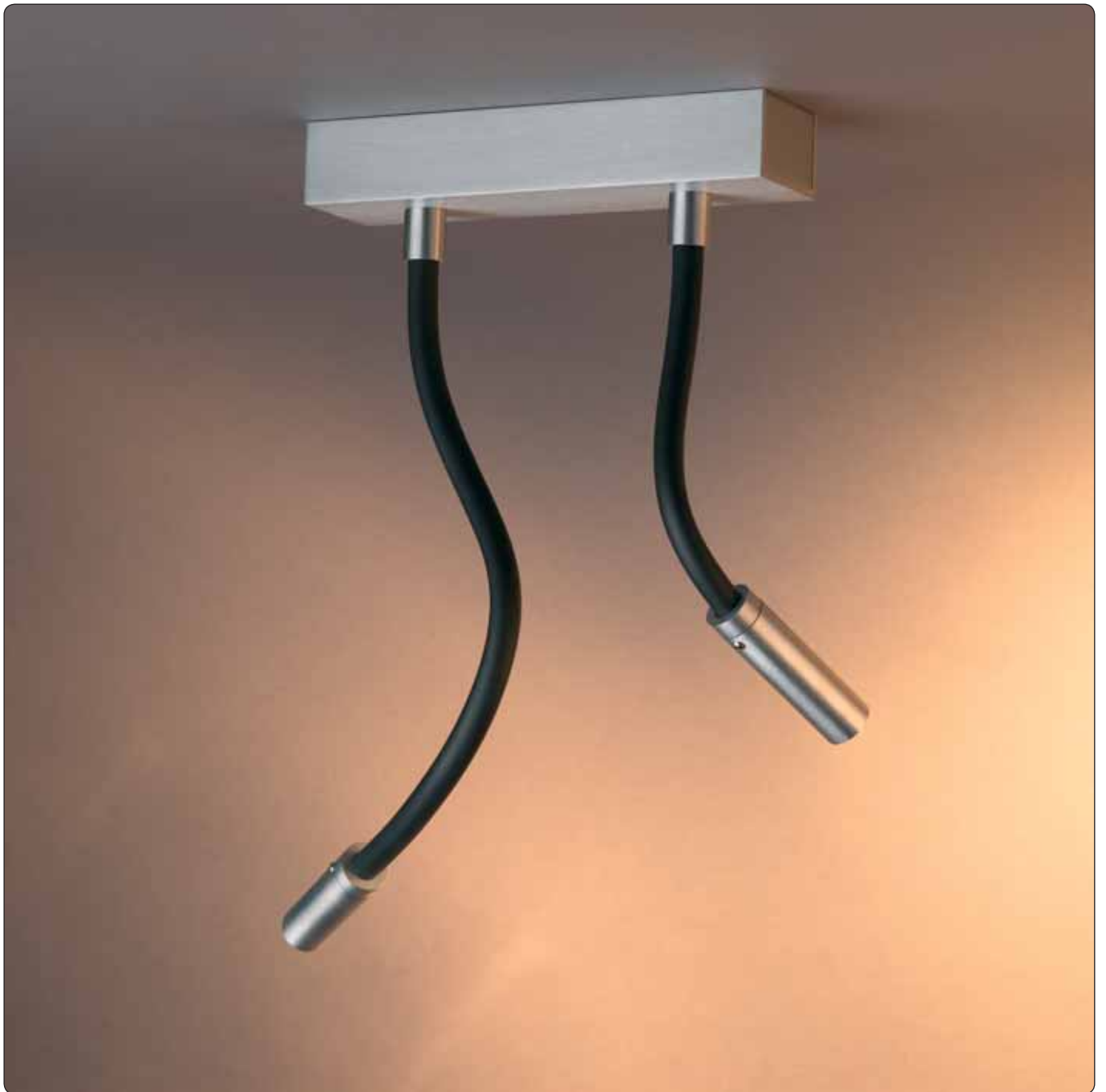


	colour	code
E-car 4F - 200mm	alu + black silicone	21.IN.3005
E-car 4F - 400mm		21.IN.3006
min. H. 215cm 12V - GY6,35 - max. 4 x 20W  transfo. excluded		



	colour	code
I-car 4F - 200mm	alu + black silicone	21.IN.3025
I-car 4F - 400mm		21.IN.3026
min. H. 215cm 230...240V - G9 - max. 4 x 25W 		






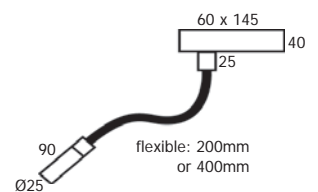
E-car 1FT - 200mm
E-car 1FT - 400mm

colour
alu + black silicone

code
21.SO.3003
21.SO.3004

min. H. 215cm
230...240V - GY6,35 - max. 1 x 20W 
transfo. included


E-car 1FT



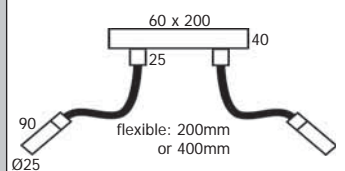
E-car 2FT - 200mm
E-car 2FT - 400mm

colour
alu + black silicone

code
21.SO.3005
21.SO.3006


min. H. 215cm
230...240V - GY6,35 - max. 2 x 20W 
transfo. included

E-car 2FT

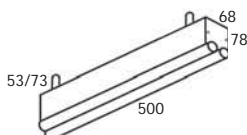










	colour	code
side up PMMA white		ES.WC.0050
side up PMMA red	ano	ES.WC.0051
side up PMMA blue		ES.WC.0052

230V - S14s - Linestra 
max. 2 x 60W

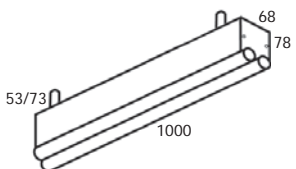
Estra 50 - W/C









53/73 68 78 500


Estra 100 - W/C




53/73 68 78 1000

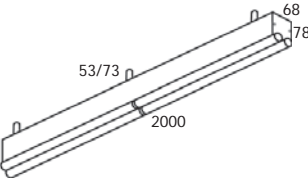
	colour	code
side up PMMA white		ES.WC.0100
side up PMMA red	ano	ES.WC.0101
side up PMMA blue		ES.WC.0102

230V - S14s - Linestra 
max. 2 x 120W







	colour	code
side up PMMA white		ES.WC.0200
side up PMMA red	ano	ES.WC.0201
side up PMMA blue		ES.WC.0202

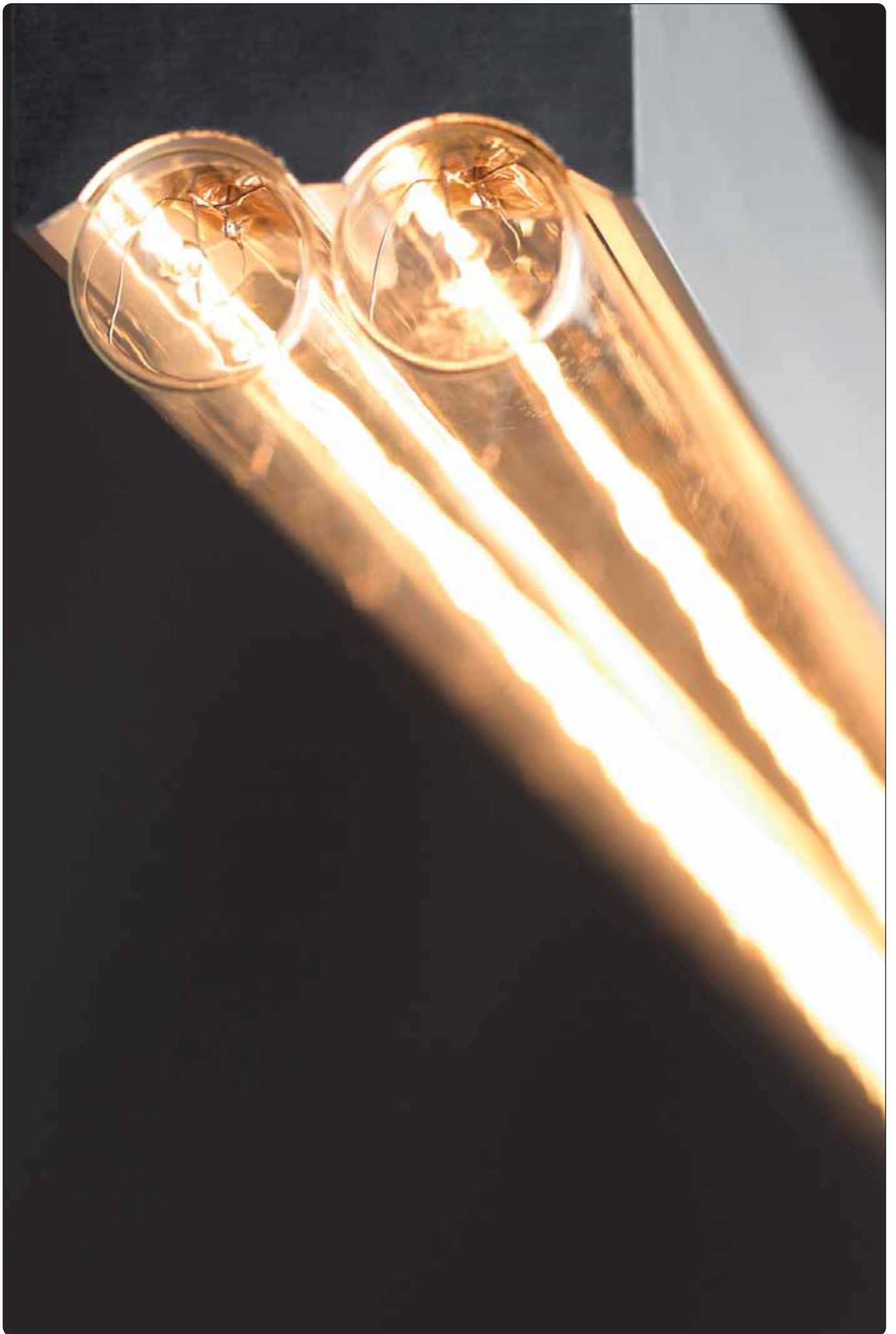
230V - S14s - Linestra 
max. 4 x 120W

Estra 200 - W/C



53/73 68 78 2000









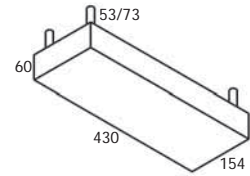


Izor 14 G-W/C

		colour	code
1 - lighting side up	up : PMMA white (other colours see p.63)	ano	21.WC.3050
1 - lighting side up + emergency *	/ down : ano		EM.WC.3050
<hr/>			
1 - lighting side down	up : ano / down : PMMA white	ano	21.WC.3051
1 - lighting side down + emergency *	(other colours see p.63)		EM.WC.3051
<hr/>			
2 - lighting sides	up & down : PMMA white	ano	21.WC.3052
2 - lighting sides + emergency *	(other colours see p.63)		EM.WC.3052

* 1 x TCL 24W with battery 3 x Ni-cd 3,6V + monitor Led


230...240V - 2G11 - 1 x TCL 24W 
gear included

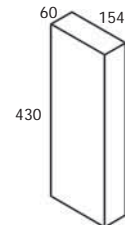


Izor 14 G-DW

		colour	code
1 - lighting side	front : PMMA white (other colours see p.63)	ano	21.DW.3050
1 - lighting side + emergency *	/ back: ano		EM.DW.3050

* 1 x TCL 24W with battery 3 x Ni-cd 3,6V + monitor Led

230...240V - 2G11 - 1 x TCL 24W 
gear included

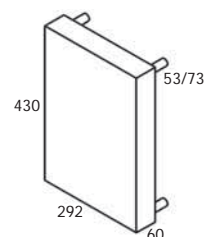
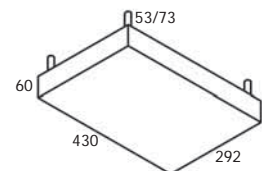


Izor 28 G- W/C

		colour	code
1 - lighting side up	up : PMMA white (other colours see p.63)	ano	21.WC.3060
1 - lighting side up dimmable**	/ down : ano		DI.WC.3060
1 - lighting side up + emergency *			EM.WC.3060
<hr/>			
1 - lighting side down	up : ano / down : PMMA white	ano	21.WC.3061
1 - lighting side down dimmable**	(other colours see p.63)		DI.WC.3061
1 - lighting side down + emergency *			EM.WC.3061
<hr/>			
2 - lighting sides	up & down : PMMA white	ano	21.WC.3062
2 - lighting sides dimmable**	(other colours see p.63)		DI.WC.3062
2 - lighting sides + emergency *			EM.WC.3062

* 1 x TCL 24W & 1 x TCL 24W with battery 3 x Ni-cd 3,6V + monitor Led
** dimmable 2 x TCL 24W with switch-dim

230...240V - 2G11 - 2 x TCL 24W 
gear included








- 1 - lighting side
- 1 - lighting side dimmable**
- 1 - lighting side + emergency *

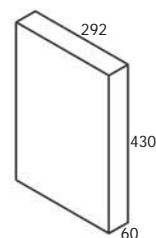
front: PMMA white (other colours see p.63)
/ back: ano

colour	code
ano	21.DW.3060
	DI.DW.3060
	EM.DW.3060

* 1 x TCL 24W & 1 x TCL 24W with battery 3 x Ni-cd 3,6V + monitor Led
** dimmable 2 x TCL 24W with switch-dim

230...240V - 2G11 - 2 x TCL 24W 
gear included

Izor 28 G-DW





Izor 292 G-W/C

- 1 - lighting side up
- 1 - lighting side up + emergency *

up : PMMA white (other colours see p.63)
/ down : ano

colour ano
code 21.WC.2960
EM.WC.2960

- 1 - lighting side down
- 1 - lighting side down + emergency *

up : ano / down : PMMA white
(other colours see p.63)

colour ano
code 21.WC.2961
EM.WC.2961

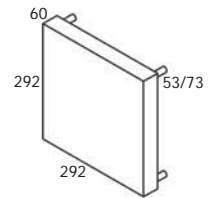
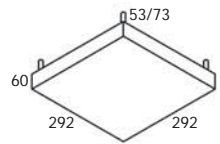
- 2 - lighting sides
- 2 - lighting sides + emergency *

up & down : PMMA white
(other colours see p.63)

colour ano
code 21.WC.2962
EM.WC.2962

* 1 x TCL 18W & 1 x TCL 18W with battery 3 x Ni-cd 3,6V + monitor Led

230...240V - 2G11 - 2 x TCL 18W
gear included



ECO



G

IN



IP40



- 1 - lighting side
- 1 - lighting side + emergency *

front: PMMA white (other colours see p.63)
/ back : ano

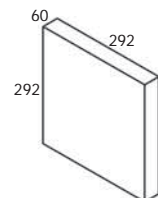
colour ano
code 21.DW.2960
EM.DW.2960

* 1 x TCL 18W & 1 x TCL 18W with battery 3 x Ni-cd 3,6V + monitor Led

230...240V - 2G11 - 2 x TCL 18W
gear included



Izor 292 G-DW



ECO



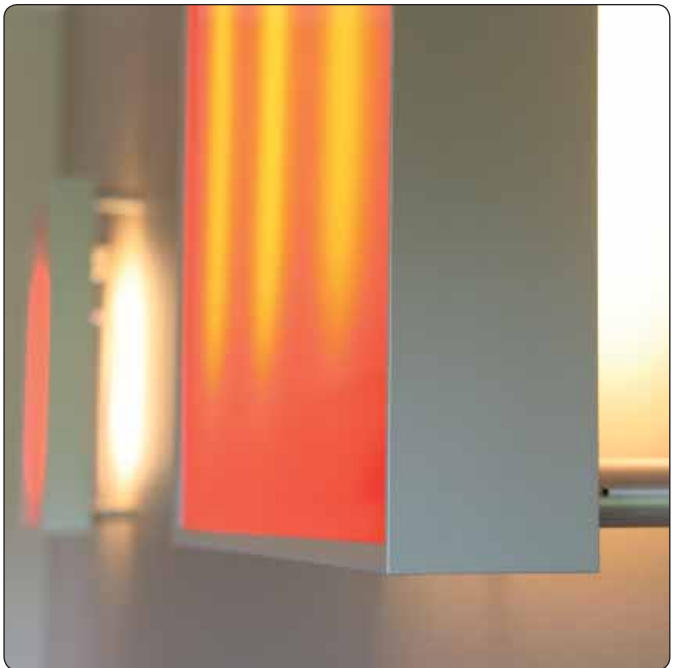
G

IN



IP40






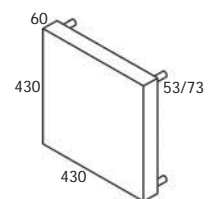
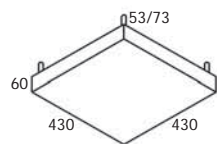


		colour	code
1 - lighting side up	up : PMMA white (other colours see p.63) / down : ano	ano	21.WC.3070
1 - lighting side up dimmable**			DI.WC.3070
1 - lighting side up + emergency *			EM.WC.3070
<hr/>			
1 - lighting side down	up : ano / down : PMMA white (other colours see p.63)	ano	21.WC.3071
1 - lighting side down dimmable**			DI.WC.3071
1 - lighting side down + emergency *			EM.WC.3071
<hr/>			
2 - lighting sides	up & down : PMMA white (other colours see p.63)	ano	21.WC.3072
2 - lighting sides dimmable**			DI.WC.3072
2 - lighting sides + emergency *			EM.WC.3072

* 2 x TCL 24W & 1 x TCL 24W with battery 3 x Ni-cd 3,6V + monitor Led
 ** dimmable 4 x TCL 24W with switch-dim

230...240V - 2G11 - 3 x TCL 24W 
 gear included

Izor 42 G-W/C



ECO



G

IN



IP40

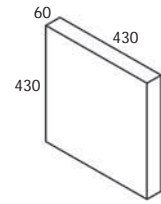


Izor 42 G-DW


- 1 - lighting side
- 1 - lighting side dimmable**
- 1 - lighting side + emergency *

front : PMMA white (other colours see p.63)
/ back : ano

colour	code
ano	21.DW.3070
	DI.DW.3070
	EM.DW.3070



* 2 x TCL 24W & 1 x TCL 24W with battery 3 x Ni-cd 3,6V + monitor Led
** dimmable 4 x TCL 24W with switch-dim

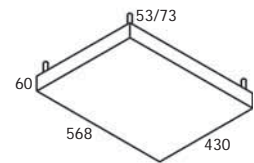
230...240V - 2G11 - 3 x TCL 24W 
gear included

Izor 56 G-W/C

- 1 - lighting side up
- 1 - lighting side up dimmable**
- 1 - lighting side up + emergency *

up : PMMA white (other colours see p.63)
/ down : ano

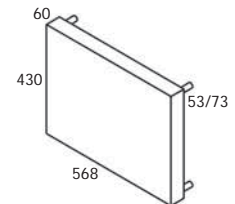
colour	code
ano	21.WC.3080
	DI.WC.3080
	EM.WC.3080



- 1 - lighting side down
- 1 - lighting side down dimmable**
- 1 - lighting side down + emergency *

up : ano / down : PMMA white
(other colours see p.63)

colour	code
ano	21.WC.3081
	DI.WC.3081
	EM.WC.3081



- 2 - lighting sides
- 2 - lighting sides dimmable**
- 2 - lighting sides + emergency *

up & down : PMMA white
(other colours see p.63)

colour	code
ano	21.WC.3082
	DI.WC.3082
	EM.WC.3082

* 3 x TCL 24W & 1 x TCL 24W with battery 3 x Ni-cd 3,6V + monitor Led
** dimmable 4 x TCL 24W with switch-dim

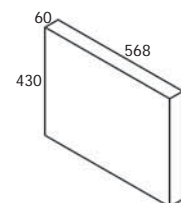
230...240V - 2G11 - 4 x TCL 24W 
gear included

Izor 56 G-DW

- 1 - lighting side
- 1 - lighting side dimmable**
- 1 - lighting side + emergency *

front : PMMA white (other colours see p.63)
/ back : ano

colour	code
ano	21.DW.3080
	DI.DW.3080
	EM.DW.3080



* 3 x TCL 24W & 1 x TCL 24W with battery 3 x Ni-cd 3,6V + monitor Led
** dimmable 4 x TCL 24W with switch-dim

230...240V - 2G11 - 4 x TCL 24W 
gear included

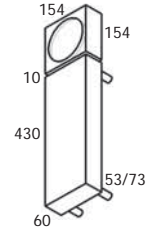
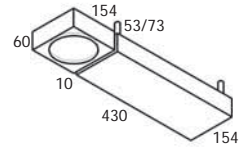
Izor 14 GT-W/C

	colour	code
1 - lighting side up 1 - lighting side up + 2 circuit *	up : PMMA white (other colours see p.63) / down : ano	21.WC.3090 DC.WC.3090
1 - lighting side down 1 - lighting side down + 2 circuit *	up : ano / down : PMMA white (other colours see p.63)	21.WC.3091 DC.WC.3091
2 - lighting sides 2 - lighting sides + 2 circuit *	up & down : PMMA white (other colours see p.63)	21.WC.3092 DC.WC.3092

* 2 circuit = separate alimentation for TCL 24W & QR111

230...240V - G53 - Max. 1 x QR111 - 50W
+ 2G11 - 1 x TCL 24W

gear & transfo. included



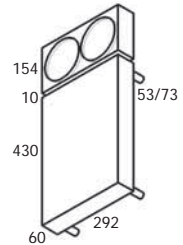
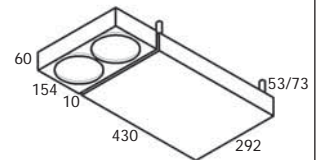
Izor 28 GT-W/C

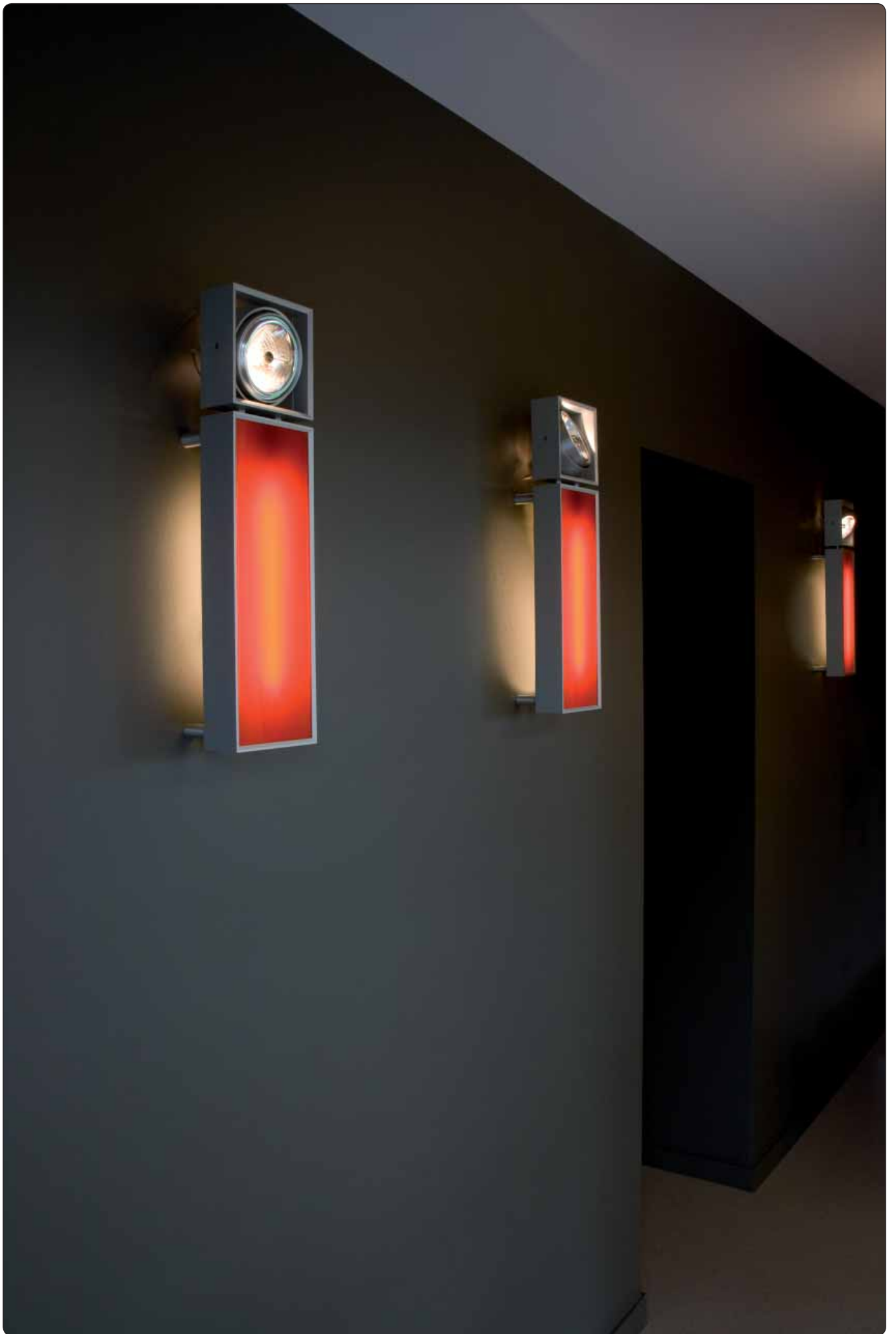
	colour	code
1 - lighting side up 1 - lighting side up DIM. + 2 circuit ** 1 - lighting side up + 2 circuit *	up : PMMA white (other colours see p.63) / down : ano	21.WC.3100 DI.WC.3100 DC.WC.3100
1 - lighting side down 1 - lighting side down DIM. + 2 circuit ** 1 - lighting side down + 2 circuit *	up : ano / down : PMMA white (other colours see p.63)	21.WC.3101 DI.WC.3101 DC.WC.3101
2 - lighting sides 2 - lighting sides DIM. + 2 circuit ** 2 - lighting sides + 2 circuit *	up & down : PMMA white (other colours see p.63)	21.WC.3102 DI.WC.3102 DC.WC.3102

* 2 circuit = separate alimentation for TCL 24W & QR111
** dimmable 2 x TCL 24W with switch-dim + 2 circuit

230...240V - G53 - Max. 2 x QR111 - 50W
+ 2G11 - 2 x TCL 24W

gear & transfo. included





Izor 42 GT-W/C

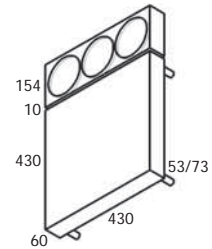
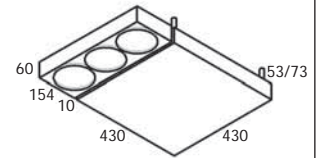
	colour	code
1 - lighting side up		21.WC.3110
1 - lighting side up DIM. + 2 circuit **	up : PMMA white (other colours see p.63)	DI.WC.3110
1 - lighting side up + 2 circuit *	/ down : ano	DC.WC.3110

1 - lighting side down		21.WC.3111
1 - lighting side down DIM. + 2 circuit **	up : ano / down : PMMA white	DI.WC.3111
1 - lighting side down + 2 circuit *	(other colours see p.63)	DC.WC.3111

2 - lighting sides		21.WC.3112
2 - lighting sides DIM. + 2 circuit **	up & down : PMMA white	DI.WC.3112
2 - lighting sides + 2 circuit *	(other colours see p.63)	DC.WC.3112

* 2 circuit = separate alimentation for TCL 24W & QR111
 ** dimmable 4 x TCL 24W with switch-dim + 2 circuit

230...240V - G53 - Max. 3 x QR111 - 50W
 + 2G11 - 3 x TCL 24W
gear & transfo. included



Izor 56 GT-W/C

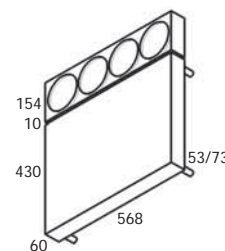
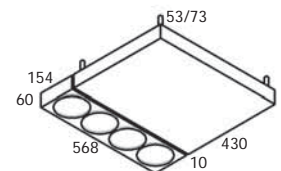
	colour	code
1 - lighting side up		21.WC.3120
1 - lighting side up DIM. + 2 circuit **	up : PMMA white (other colours see p.63)	DI.WC.3120
1 - lighting side up + 2 circuit *	/ down : ano	DC.WC.3120

1 - lighting side down		21.WC.3121
1 - lighting side down DIM. + 2 circuit **	up : ano / down : PMMA white	DI.WC.3121
1 - lighting side down + 2 circuit *	(other colours see p.63)	DC.WC.3121

2 - lighting sides		21.WC.3122
2 - lighting sides DIM. + 2 circuit **	up & down : PMMA white	DI.WC.3122
2 - lighting sides + 2 circuit *	(other colours see p.63)	DC.WC.3122

* 2 circuit = separate alimentation for TCL 24W & QR111
 ** dimmable 4 x TCL 24W with switch-dim + 2 circuit

230...240V - G53 - Max. 4 x QR111 - 50W
 + 2G11 - 4 x TCL 24W
gear & transfo. included







Izor 28 GT2-W/C

	colour	code
1 - lighting side up	up : PMMA white (other colours see p.63) / down : ano	21.WC.3140
1 - lighting side up DIM. + 2 circuit **		DI.WC.3140
1 - lighting side up + 2 circuit *		DC.WC.3140

1 - lighting side down	up : ano / down : PMMA white (other colours see p.63)	21.WC.3141
1 - lighting side down DIM. + 2 circuit **		DI.WC.3141
1 - lighting side down + 2 circuit *		DC.WC.3141

2 - lighting sides	up & down : PMMA white (other colours see p.63)	21.WC.3142
2 - lighting sides DIM. + 2 circuit **		DI.WC.3142
2 - lighting sides + 2 circuit *		DC.WC.3142

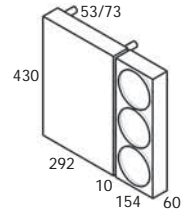
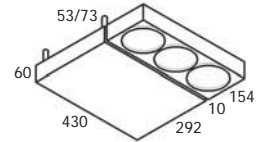
* 2 circuit = separate alimention for TCL 24W & QR111

** dimmable 2 x TCL 24W with switch-dim + 2 circuit

230...240V - G53 - Max. 3 x QR111 - 50W
+ 2G11 - 2 x TCL 24W



gear & transfo. included



Izor 56 GT2-W/C

	colour	code
1 - lighting side up	up : PMMA white (other colours see p.63) / down : ano	21.WC.3150
1 - lighting side up DIM. + 2 circuit **		DI.WC.3150
1 - lighting side up + 2 circuit *		DC.WC.3150

1 - lighting side down	up : ano / down : PMMA white (other colours see p.63)	21.WC.3151
1 - lighting side down DIM. + 2 circuit **		DI.WC.3151
1 - lighting side down + 2 circuit *		DC.WC.3151

2 - lighting sides	up & down : PMMA white (other colours see p.63)	21.WC.3152
2 - lighting sides DIM. + 2 circuit **		DI.WC.3152
2 - lighting sides + 2 circuit *		DC.WC.3152

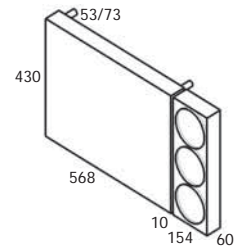
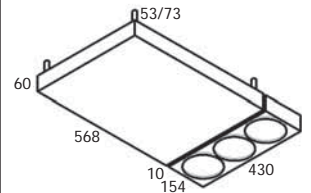
* 2 circuit = separate alimention for TCL 24W & QR111

** dimmable 4 x TCL 24W with switch-dim + 2 circuit

230...240V - G53 - Max. 3 x QR111 - 50W
+ 2G11 - 4 x TCL 24W



gear & transfo. included



Izor 14 GT3-W/C

	colour	code
1 - lighting side up	up : PMMA white (other colours see p.63)	21.WC.3160
1 - lighting side up + 2 circuit *	/ down : ano	DC.WC.3160

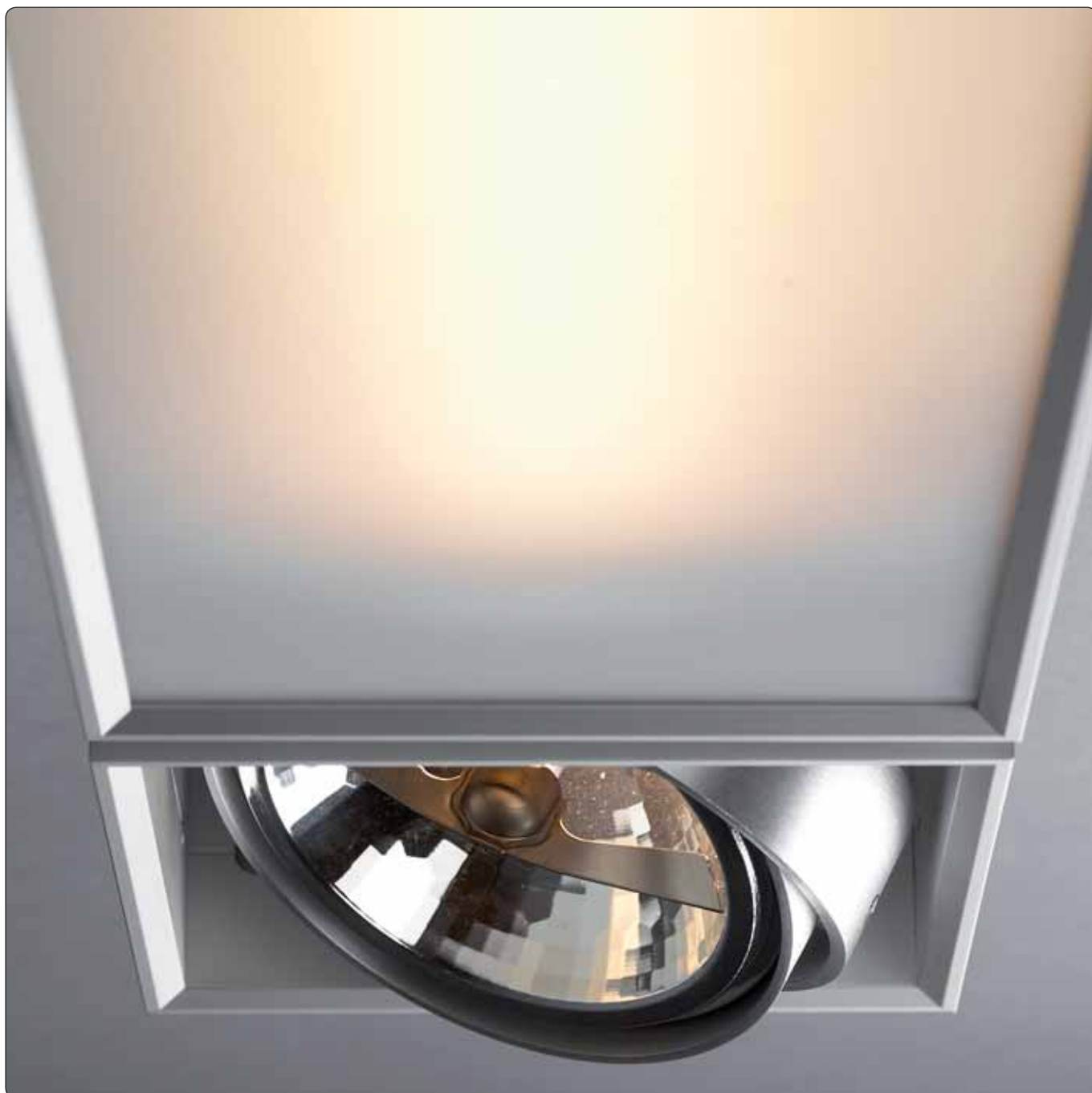
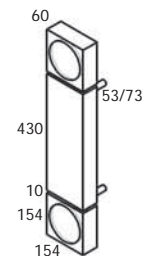
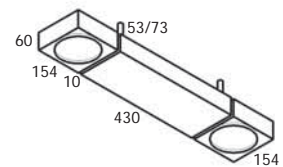
1 - lighting side down	up : ano / down : PMMA white	21.WC.3161
1 - lighting side down + 2 circuit *	(other colours see p.63)	DC.WC.3161

2 - lighting sides	up & down : PMMA white	21.WC.3162
2 - lighting sides + 2 circuit *	(other colours see p.63)	DC.WC.3162

* 2 circuit = separate alimentation for TCL 24W & QR111

230...240V - G53 - Max. 2 x QR111 - 50W
+ 2G11 - 1 x TCL 24W

gear & transfo. included



Izor 28 GT3-W/C

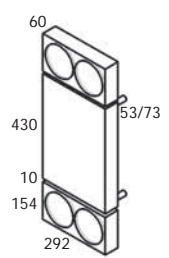
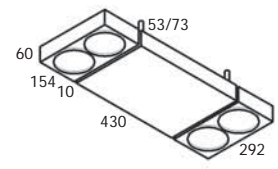
	colour	code
1 - lighting side up	up : PMMA white (other colours see p.63) / down : ano	21.WC.3170
1 - lighting side up DIM. + 2 circuit **		DI.WC.3170
1 - lighting side up + 2 circuit *		DC.WC.3170

1 - lighting side down	up : ano / down : PMMA white (other colours see p.63)	21.WC.3171
1 - lighting side down DIM. + 2 circuit **		DI.WC.3171
1 - lighting side down + 2 circuit *		DC.WC.3171

2 - lighting sides	up & down : PMMA white (other colours see p.63)	21.WC.3172
2 - lighting sides DIM. + 2 circuit **		DI.WC.3172
2 - lighting sides + 2 circuit *		DC.WC.3172

* 2 circuit = separate alimentionation for TCL 24W & QR111
 ** dimmable 2 x TCL 24W with switch-dim + 2 circuit

230...240V - G53 - Max. 4 x QR111 - 50W
 + 2G11 - 2 x TCL 24W
gear & transfo. included



Izor 42 GT3-W/C

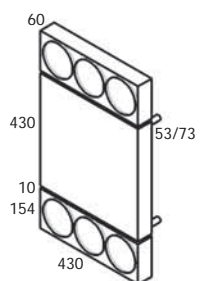
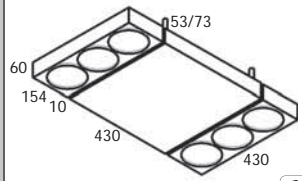
	colour	code
1 - lighting side up	up : PMMA white (other colours see p.63) / down : ano	21.WC.3180
1 - lighting side up + 2 circuit *		DC.WC.3180

1 - lighting side down	up : ano / down : PMMA white (other colours see p.63)	21.WC.3181
1 - lighting side down + 2 circuit *		DC.WC.3181

2 - lighting sides	up & down : PMMA white (other colours see p.63)	21.WC.3182
2 - lighting sides + 2 circuit *		DC.WC.3182

* 2 circuit = separate alimentionation for TCL 24W & QR111

230...240V - G53 - Max. 6 x QR111 - 50W
 + 2G11 - 3 x TCL 24W
gear & transfo. included



Izor 56 GT3-W/C

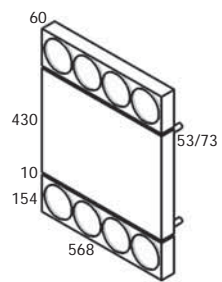
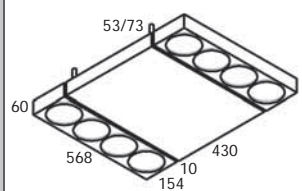
	colour	code
1 - lighting side up	up : PMMA white (other colours see p.63) / down : ano	21.WC.3190
1 - lighting side up DIM. + 2 circuit **		DI.WC.3190
1 - lighting side up + 2 circuit *		DC.WC.3190

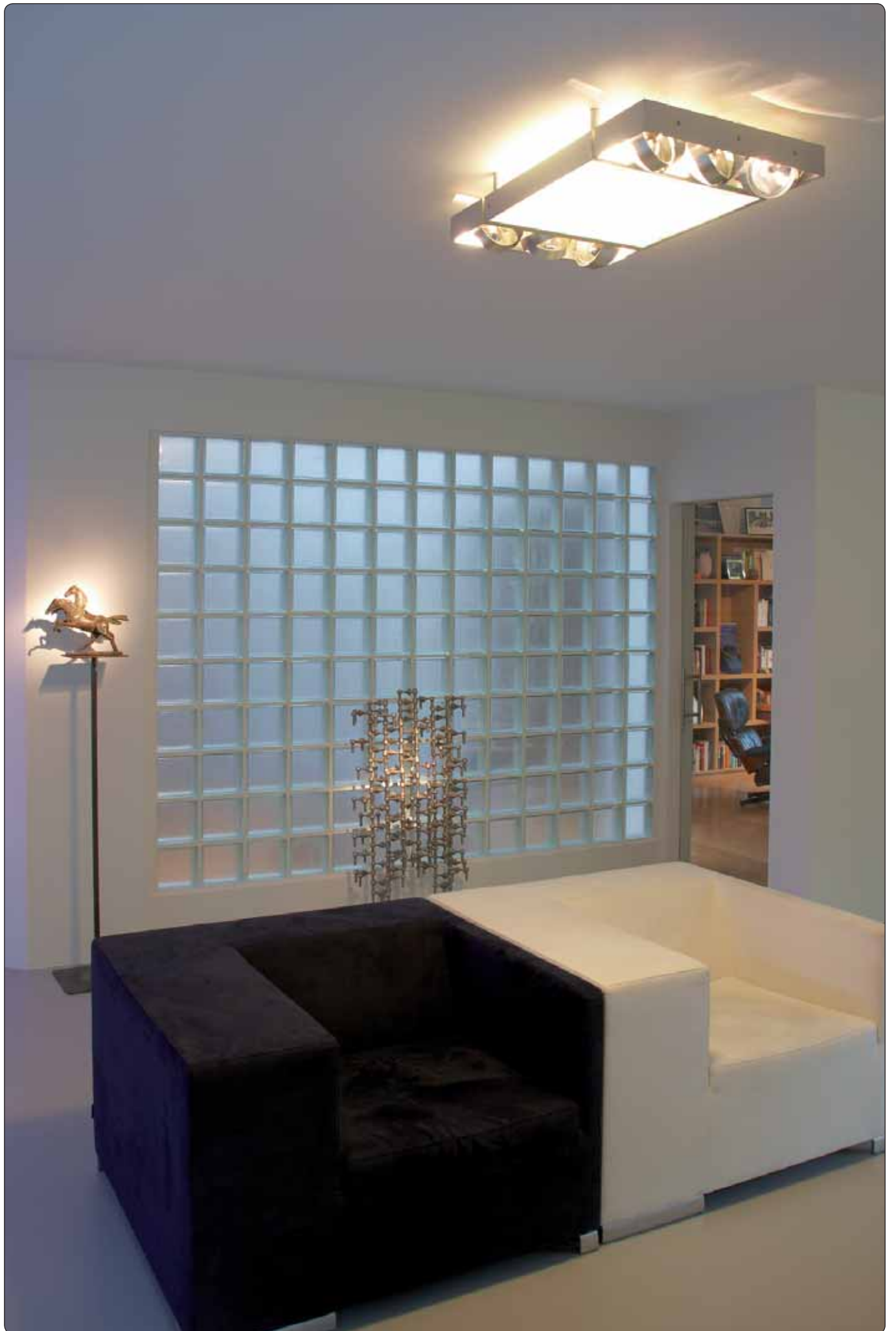
1 - lighting side down	up : ano / down : PMMA white (other colours see p.63)	21.WC.3191
1 - lighting side down DIM. + 2 circuit **		DI.WC.3191
1 - lighting side down + 2 circuit *		DC.WC.3191

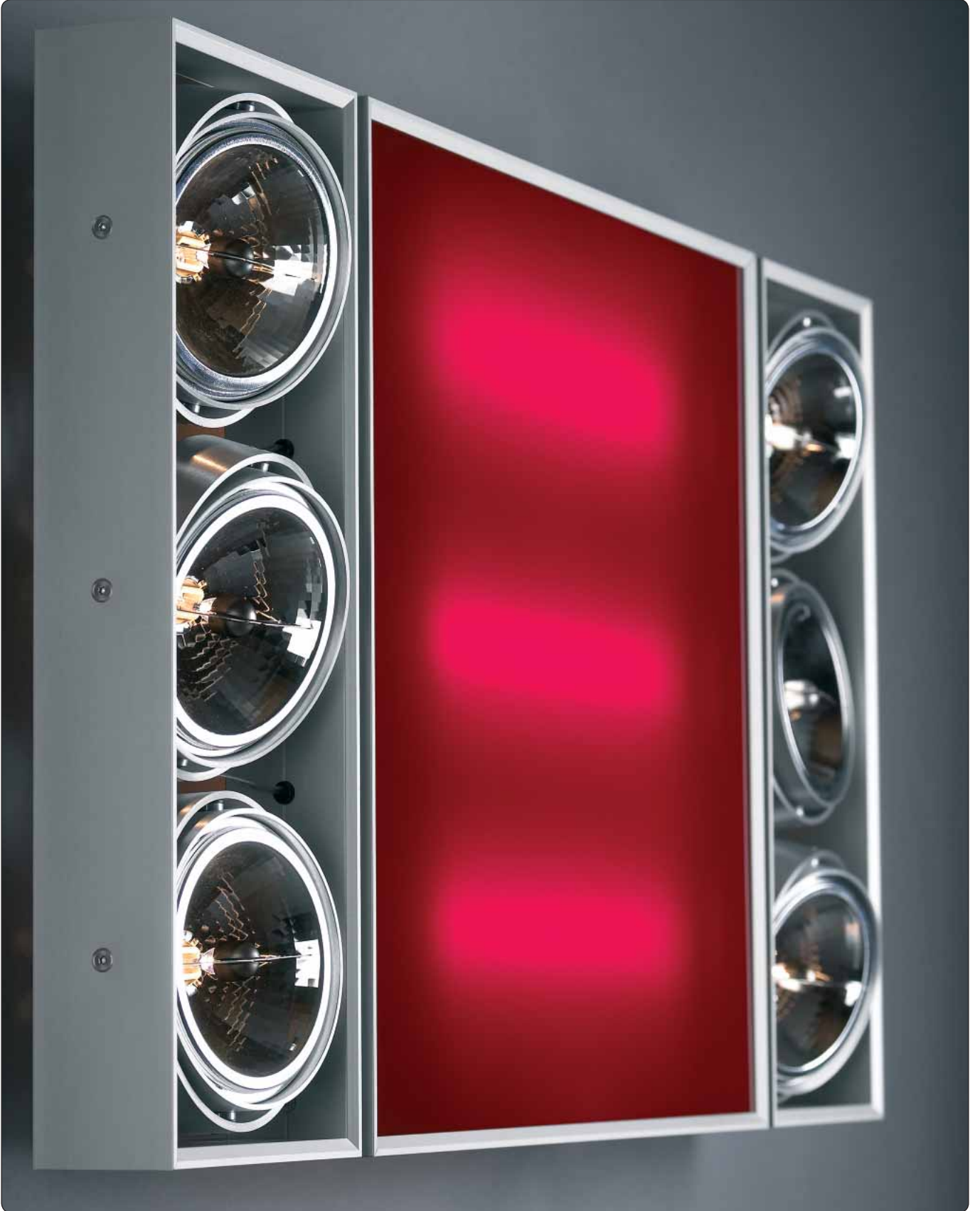
2 - lighting sides	up & down : PMMA white (other colours see p.63)	21.WC.3192
2 - lighting sides DIM. + 2 circuit **		DI.WC.3192
2 - lighting sides + 2 circuit *		DC.WC.3192

* 2 circuit = separate alimentionation for TCL 24W & QR111
 ** dimmable 4 x TCL 24W with switch-dim + 2 circuit

230...240V - G53 - Max. 8 x QR111 - 50W
 + 2G11 - 4 x TCL 24W
gear & transfo. included



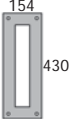
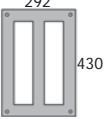
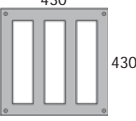
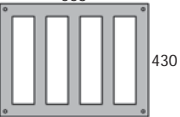


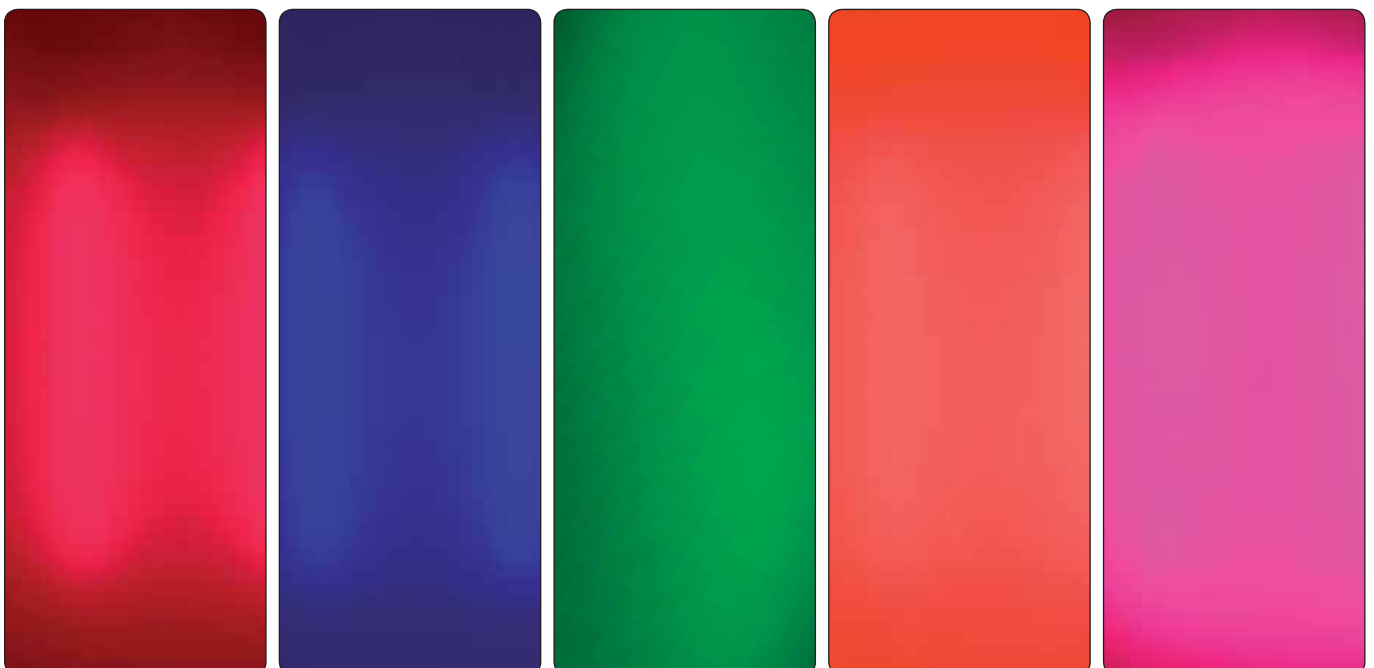


Izor supplement side-down

			colour side	code
	lighting side down for IZOR 14	PMMA	red blue green orange fuchsia	21.AC.3011 21.AC.4011 21.AC.5011 21.AC.6011 21.AC.7011
	lighting side down for IZOR 28	PMMA	red blue green orange fuchsia	21.AC.3021 21.AC.4021 21.AC.5021 21.AC.6021 21.AC.7021
	lighting side down for IZOR 42	PMMA	red blue green orange fuchsia	21.AC.3031 21.AC.4031 21.AC.5031 21.AC.6031 21.AC.7031
	lighting side down for IZOR 56	PMMA	red blue green orange fuchsia	21.AC.3041 21.AC.4041 21.AC.5041 21.AC.6041 21.AC.7041

Izor supplement side-up

			colour side	code
	lighting side up for IZOR 14	PMMA	red blue green orange fuchsia	21.AC.3010 21.AC.4010 21.AC.5010 21.AC.6010 21.AC.7010
	lighting side up for IZOR 28	PMMA	red blue green orange fuchsia	21.AC.3020 21.AC.4020 21.AC.5020 21.AC.6020 21.AC.7020
	lighting side up for IZOR 42	PMMA	red blue green orange fuchsia	21.AC.3030 21.AC.4030 21.AC.5030 21.AC.6030 21.AC.7030
	lighting side up for IZOR 56	PMMA	red blue green orange fuchsia	21.AC.3040 21.AC.4040 21.AC.5040 21.AC.6040 21.AC.7040



Kwa-adju round



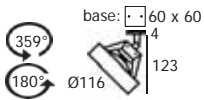
Kwa-adju round

colour
alu

code
21.IN.5200

12V - G53 - QR111 - max. 1 x 75W
transfo. excluded
Cover Kwa-Kwa see p.79

Kwa-adju square



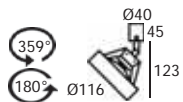
Kwa-adju square

colour
alu

code
21.IN.5201

12V - G53 - QR111 - max. 1 x 75W
transfo. excluded
Cover Kwa-Kwa see p.79

Kwa-adju + B



Kwa-adju + B

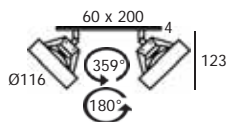
colour
alu

code
21.SO.5202

12V - G53 - QR111 - max. 1 x 75W
transfo. excluded



Kwa-adju 2



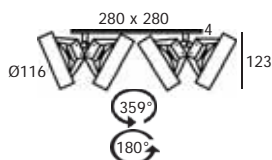
Kwa-adju 2

colour
alu

code
21.IN.5208

12V - G53 - QR111 - max. 2 x 75W
transfo. excluded

Kwa-adju 4



Kwa-adju 4

colour
alu

code
21.IN.5210

12V - G53 - QR111 - max. 4 x 75W
transfo. excluded

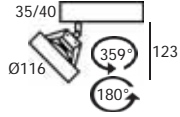






Kwa-adju 1T

60x145x40 (rect. base)
50x100x35 (round.rect. base)



colour

code


Kwa-adju 1T + rectangular base

alu

21.SO.5204

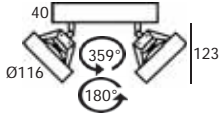
Kwa-adju 1T + rounded rectangular base

21.SO.5304

230V - G53 - QR111 - max. 1 x 50W 
transfo. included

Kwa-adju 2T

60x200x40 (rect. base)
60x200x40 (round.rect. base)



colour

code


Kwa-adju 2T + rectangular base

alu

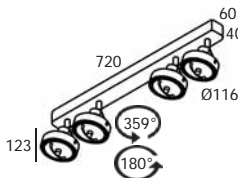
21.SO.5206

Kwa-adju 2T + rounded rectangular base

21.SO.5306

230V - G53 - QR111 - max. 2 x 50W 
transfo. included

Kwa-adju 4T




colour

code

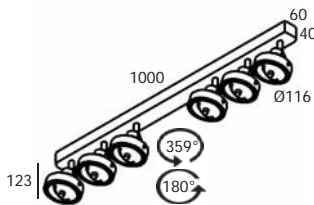
Kwa-adju 4T + rounded rectangular base

alu

21.SO.4004

230V - G53 - QR111 - max. 4 x 50W 
transfo. included

Kwa-adju 6T




colour

code

Kwa-adju 6T + rounded rectangular base

alu

21.SO.6006

230V - G53 - QR111 - max. 6 x 50W 
transfo. included







Kwa-Kwa round

base: $\varnothing 45$
4 25
101
 $\varnothing 116$

Kwa-Kwa round

colour
alu

code
21.IN.3200

12V - G53 - QR111 - max. 1 x 75W
transfo. excluded
 Cover Kwa-Kwa see p.79

Kwa-Kwa square

base: 60 x 60
4 25
101
 $\varnothing 116$

Kwa-Kwa square

colour
alu

code
21.IN.4200

12V - G53 - QR111 - max. 1 x 75W
transfo. excluded
 Cover Kwa-Kwa see p.79

Kwa-Kwa + B

$\varnothing 40$
45 101
 $\varnothing 116$

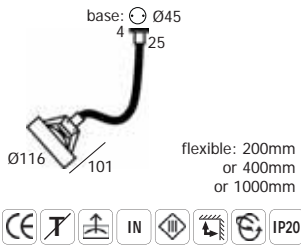
Kwa-Kwa + B

colour
alu

code
21.SO.3200

12V - G53 - QR111 - max. 1 x 75W
transfo. excluded

Kwa-Kwa 1F round



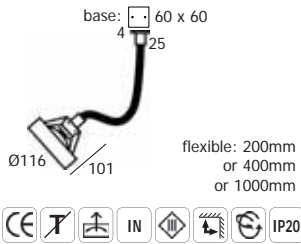
Kwa-Kwa 1F 200mm round
 Kwa-Kwa 1F 400mm round
 Kwa-Kwa 1F 1000mm round **

colour
 alu + black silicone

code
 21.IN.3201
 21.IN.3241
 21.IN.3261

** to use with wall or ceiling cover round Ø 80 mm 21.AC.3200 (not included / see p.79)
 12V - G53 - QR111 - max. 1 x 75W
transfo. excluded
Cover Kwa-Kwa see p.79

Kwa-Kwa 1F square



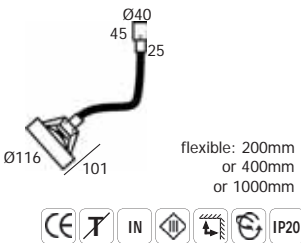
Kwa-Kwa 1F 200mm square
 Kwa-Kwa 1F 400mm square
 Kwa-Kwa 1F 1000mm square **

colour
 alu + black silicone

code
 21.IN.4201
 21.IN.4241
 21.IN.4261

** to use with wall or ceiling cover square (100 x 100mm) 21.AC.3203 (not included / see p.79)
 12V - G53 - QR111 - max. 1 x 75W
transfo. excluded
Cover Kwa-Kwa see p.79

Kwa-Kwa 1F + B



Kwa-Kwa 1F 200mm + B
 Kwa-Kwa 1F 400mm + B
 Kwa-Kwa 1F 1000mm + B **

colour
 alu + black silicone

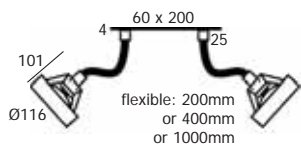
code
 21.SO.3201
 21.SO.3241
 21.SO.3251

** ONLY CEILING
 12V - G53 - QR111 - max. 1 x 75W
transfo. excluded





Kwa-Kwa 2F




Kwa-Kwa 2F 200mm
Kwa-Kwa 2F 400mm
Kwa-Kwa 2F 1000mm **

colour

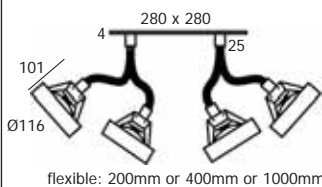
alu + black silicone

code

21.IN.3202
21.IN.3242
21.IN.3252

** ONLY CEILING
12V - G53 - QR111 - max. 2 x 75W 
transfo. excluded

Kwa-Kwa 4F




Kwa-Kwa 4F 200mm
Kwa-Kwa 4F 400mm
Kwa-Kwa 4F 1000mm **

colour

alu + black silicone

code

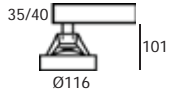
21.IN.3204
21.IN.3244
21.IN.3254

** ONLY CEILING
12V - G53 - QR111 - max. 4 x 75W 
transfo. excluded



Kwa-Kwa T

60x145x40 (rect. base)
50x100x35 (round.rect. base)



colour

code

Kwa-Kwa T + rectangular base
Kwa-Kwa T + rounded rectangular base

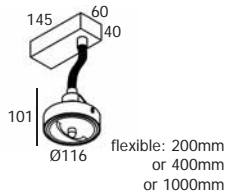
alu

21.SO.3213

21.SO.3313

230V - G53 - QR111 - max. 1 x 50W
transfo. included

Kwa-Kwa 1FT rect.*



colour

code

Kwa-Kwa 1FT 200mm
Kwa-Kwa 1FT 400mm
Kwa-Kwa 1FT 1000mm **

alu + black silicone

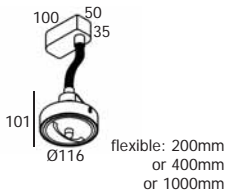
21.SO.3214

21.SO.3243

21.SO.3253

** ONLY CEILING
* **rectangular base**
230V - G53 - QR111 - max. 1 x 50W
transfo. included

Kwa-Kwa 1FT rect. ro.*



colour

code

Kwa-Kwa 1FT 200mm
Kwa-Kwa 1FT 400mm
Kwa-Kwa 1FT 1000mm **

alu + black silicone

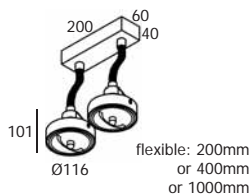
21.SO.3314

21.SO.3343

21.SO.3353

** ONLY CEILING
* **rounded rectangular base**
230V - G53 - QR111 - max. 1 x 50W
transfo. included

Kwa-Kwa 2FT rect.*



colour

code

Kwa-Kwa 2FT 200mm
Kwa-Kwa 2FT 400mm
Kwa-Kwa 2FT 1000mm **

alu + black silicone

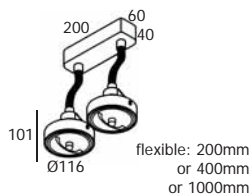
21.SO.3202

21.SO.3242

21.SO.3252

** ONLY CEILING
* **rectangular base**
230V - G53 - QR111 - max. 2 x 50W
transfo. included

Kwa-Kwa 2FT rect. ro.*



colour

code

Kwa-Kwa 2FT 200mm
Kwa-Kwa 2FT 400mm
Kwa-Kwa 2FT 1000mm **

alu + black silicone

21.SO.3402

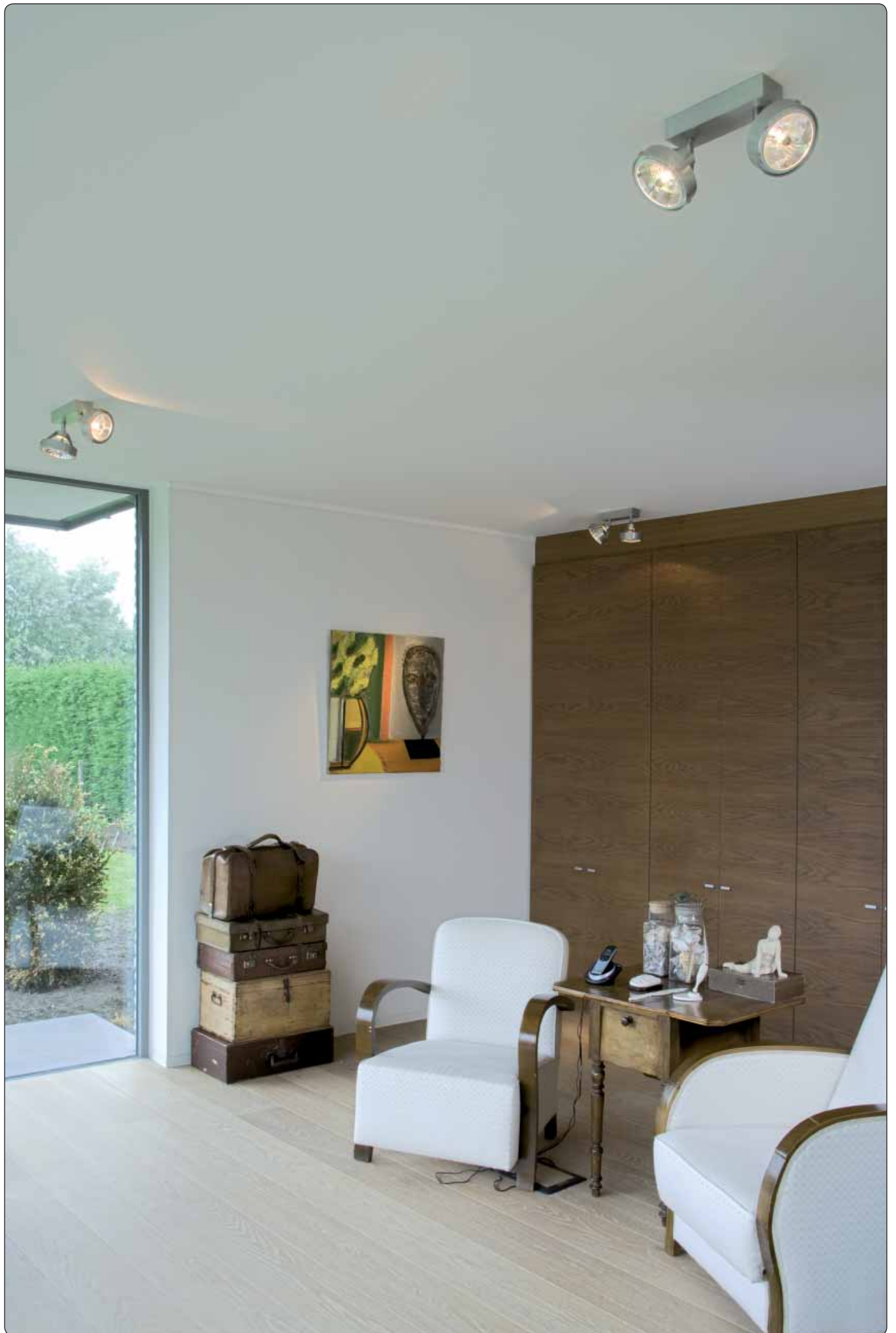
21.SO.3442

21.SO.3452

** ONLY CEILING
* **rounded rectangular base**
230V - G53 - QR111 - max. 2 x 50W
transfo. included



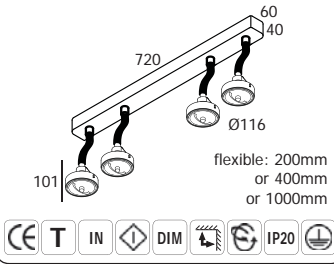








Kwa-Kwa 4FT rect. ro.*



- Kwa-Kwa 4FT 200mm
- Kwa-Kwa 4FT 400mm
- Kwa-Kwa 4FT 1000mm **

colour

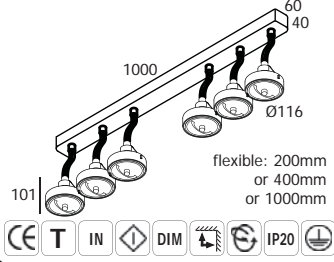
alu + black silicone

code

- 21.SO.3404
- 21.SO.3444
- 21.SO.3454

** ONLY CEILING
*rounded rectangular base
230V - G53 - QR111 - max. 4 x 50W
transfo. included

Kwa-Kwa 6FT rect. ro.*



- Kwa-Kwa 6FT 200mm
- Kwa-Kwa 6FT 400mm
- Kwa-Kwa 6FT 1000mm **

colour

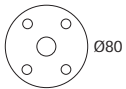
alu + black silicone

code

- 21.SO.3406
- 21.SO.3446
- 21.SO.3456

** ONLY CEILING
*rounded rectangular base
230V - G53 - QR111 - max. 6 x 50W
transfo. included

Cover Kwa-adju & Kwa-Kwa



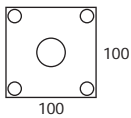
wall or ceiling cover round IN

colour

alu

code

21.AC.3200



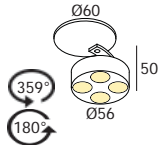
wall or ceiling cover square IN

alu

21.AC.3203



Mini-pi 1 in LED



Cold white

colour	code	code	code
black	MI.PI.1226/ N	MI.PI.1226/ M	MI.PI.1226/ W
white	MI.PI.1116/ N	MI.PI.1116/ M	MI.PI.1116/ W
grey	MI.PI.1446/ N	MI.PI.1446/ M	MI.PI.1446/ W

350mA - Poweredled - 4 x 1W
power supply excluded / powered included
 aperture Ø45mm

N = Narrow beam: ± 10°
M = Medium beam: ± 25°
W = Wide beam: ± 40°

Warm white

colour	code	code	code
black	MI.PI.1225/ N	MI.PI.1225/ M	MI.PI.1225/ W
white	MI.PI.1115/ N	MI.PI.1115/ M	MI.PI.1115/ W
grey	MI.PI.1445/ N	MI.PI.1445/ M	MI.PI.1445/ W

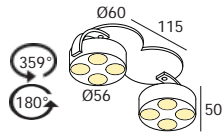
350mA - Poweredled - 4 x 1W
power supply excluded / powered included
 aperture Ø45mm

N = Narrow beam: ± 10°
M = Medium beam: ± 25°
W = Wide beam: ± 40°





Mini-pi 2 in LED



Cold white

colour	code	code	code
black	MI.PI.2228/ N	MI.PI.2228/ M	MI.PI.2228/ W
white	MI.PI.2118/ N	MI.PI.2118/ M	MI.PI.2118/ W
grey	MI.PI.2448/ N	MI.PI.2448/ M	MI.PI.2448/ W

350mA - Powered - 8 x 1W
power supply excluded / powered included
 aperture 2 x Ø45mm

N = Narrow beam: ± 10°
M = Medium beam: ± 25°
W = Wide beam: ± 40°

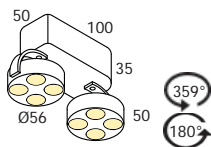
Warm white

colour	code	code	code
black	MI.PI.2227/ N	MI.PI.2227/ M	MI.PI.2227/ W
white	MI.PI.2117/ N	MI.PI.2117/ M	MI.PI.2117/ W
grey	MI.PI.2447/ N	MI.PI.2447/ M	MI.PI.2447/ W

350mA - Powered - 8 x 1W
power supply excluded / powered included
 aperture 2 x Ø45mm

N = Narrow beam: ± 10°
M = Medium beam: ± 25°
W = Wide beam: ± 40°

Mini-pi 2 up LED



Cold white

colour	code	code	code
black	MI.PU.2226/ N	MI.PU.2226/ M	MI.PU.2226/ W
white	MI.PU.2116/ N	MI.PU.2116/ M	MI.PU.2116/ W
grey	MI.PU.2446/ N	MI.PU.2446/ M	MI.PU.2446/ W

100...240V - Powered - 8 x 1W
power supply & powered included

N = Narrow beam: ± 10°
M = Medium beam: ± 25°
W = Wide beam: ± 40°

Warm white

colour	code	code	code
black	MI.PU.2225/ N	MI.PU.2225/ M	MI.PU.2225/ W
white	MI.PU.2115/ N	MI.PU.2115/ M	MI.PU.2115/ W
grey	MI.PU.2445/ N	MI.PU.2445/ M	MI.PU.2445/ W

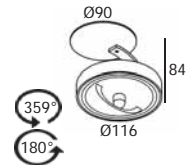
100...240V - Powered - 8 x 1W
power supply & powered included

N = Narrow beam: ± 10°
M = Medium beam: ± 25°
W = Wide beam: ± 40°





Pin-in 1

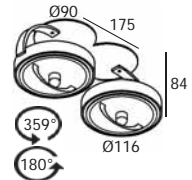


colour	code
black	PI.IN.2101
white	PI.IN.1101
grey	PI.IN.4101
chrome	PI.IN.9101
gold	PI.IN.8101

12V - G53 - QR111 - max. 1 x 100W
transfo. excluded
 aperture Ø60mm

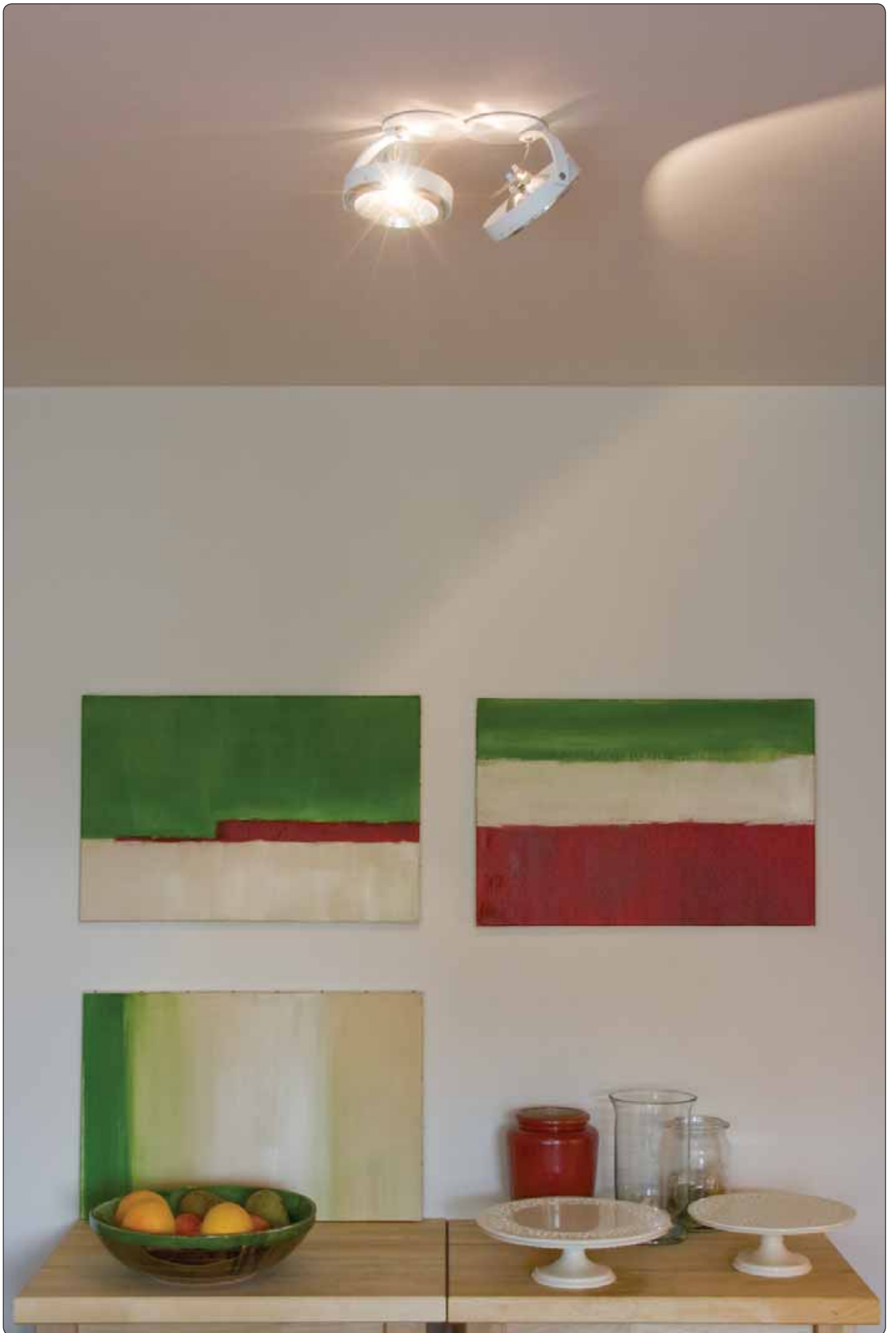


Pin-in 2



colour	code
black	PI.IN.2102
white	PI.IN.1102
grey	PI.IN.4102
chrome	PI.IN.9102
gold	PI.IN.8102

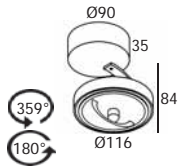
12V - G53 - QR111 - max. 2 x 100W
transfo. excluded
 aperture 2 x Ø60mm







Pin-up 1 round




Pin-up 1 round

colour

alu
black
white
chrome
gold

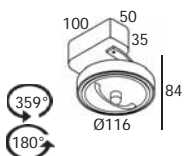
code

PI.UP.3050
PI.UP.2050
PI.UP.1050
PI.UP.9050
PI.UP.8050

230V - G53 - QR111 - max. 1 x 50W 
transfo. included



Pin-up 1 square



Pin-up 1 square

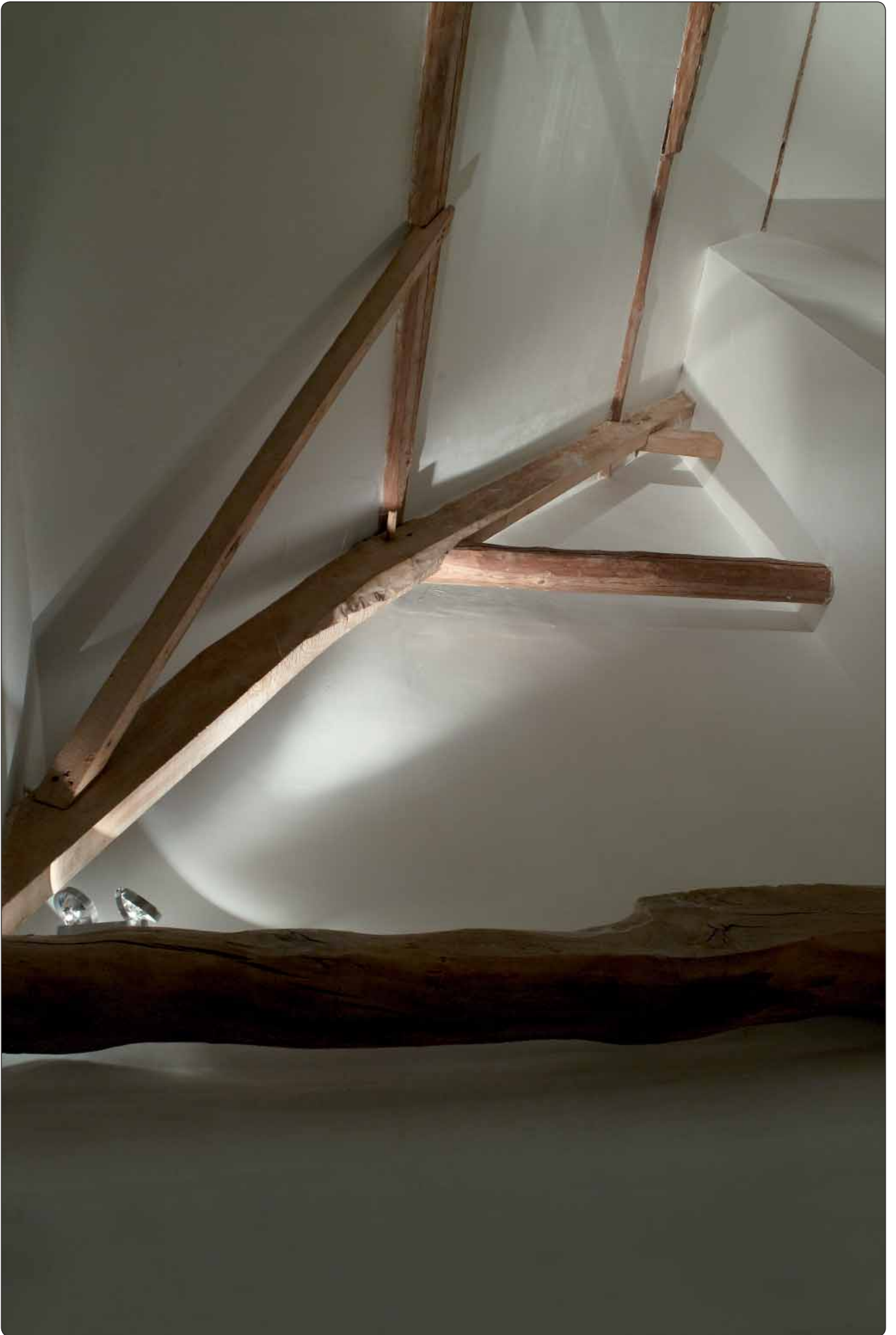
colour

alu
black
white
chrome
gold

code

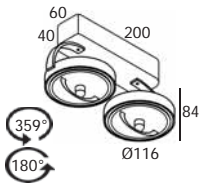
PI.UP.3150
PI.UP.2150
PI.UP.1150
PI.UP.9150
PI.UP.8150

230V - G53 - QR111 - max. 1 x 50W 
transfo. included





Pin-up 2 rect. ro. *



Pin-up 2 rectangular rounded


colour

alu
black
white
chrome
gold

code

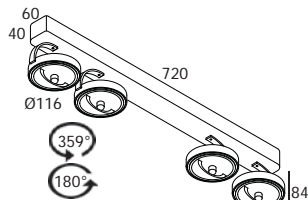
PI.UP.3152
PI.UP.2152
PI.UP.1152
PI.UP.9152
PI.UP.8152

*rectangular rounded base

230V - G53 - QR111 - max. 2 x 50W 

transfo. included

Pin-up 4 rect. ro. *



Pin-up 4 rectangular rounded


colour

alu
black
white

code

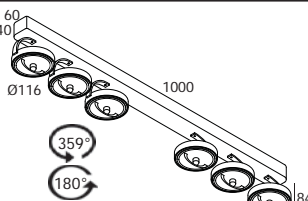
PI.UP.3154
PI.UP.2154
PI.UP.1154

*rectangular rounded base

230V - G53 - QR111 - max. 4 x 50W 

transfo. included

Pin-up 6 rect. ro. *



Pin-up 6 rectangular rounded


colour

alu
black
white

code

PI.UP.3156
PI.UP.2156
PI.UP.1156

*rectangular rounded base

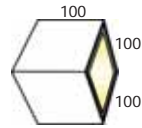
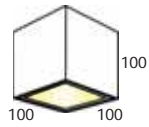
230V - G53 - QR111 - max. 6 x 50W 

transfo. included





Saver-big IN

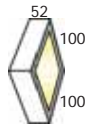
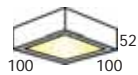


	colour	code
frosted glass		BS.PL.5020
blue frosted glass	alu	BS.PL.5021
red frosted glass		BS.PL.5022
green frosted glass		BS.PL.5023

frosted glass		BS.PL.6020
blue frosted glass	alu + white	BS.PL.6021
red frosted glass		BS.PL.6022
green frosted glass		BS.PL.6023

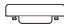
230V - GX 53 - 1 x Micro lynx F or Micro lynx LED 

Saver-small IN



	colour	code
frosted glass		SS.PL.5000
blue frosted glass	alu	SS.PL.5021
red frosted glass		SS.PL.5022
green frosted glass		SS.PL.5023

frosted glass		SS.PL.6000
blue frosted glass	alu + white	SS.PL.6021
red frosted glass		SS.PL.6022
green frosted glass		SS.PL.6023

230V - GX 53 - 1 x Micro lynx F or Micro lynx LED 



Cold white

	colour	code	code	code
200 mm	alu	SC.AR.6205/ N	SC.AR.6205/ M	SC.AR.6205/ W
400 mm	+	SC.AR.6405/ N	SC.AR.6405/ M	SC.AR.6405/ W
1000 mm	black silicone	SC.AR.6005/ N	SC.AR.6005/ M	SC.AR.6005/ W

200 mm	black	SC.AR.6285/ N	SC.AR.6285/ M	SC.AR.6285/ W
400 mm	+	SC.AR.6485/ N	SC.AR.6485/ M	SC.AR.6485/ W
1000 mm	black silicone	SC.AR.6085/ N	SC.AR.6085/ M	SC.AR.6085/ W

200 mm	white	SC.AR.6275/ N	SC.AR.6275/ M	SC.AR.6275/ W
400 mm	+	SC.AR.6475/ N	SC.AR.6475/ M	SC.AR.6475/ W
1000 mm	white silicone	SC.AR.6075/ N	SC.AR.6075/ M	SC.AR.6075/ W

200 mm	alu	SC.AR.6255/ N	SC.AR.6255/ M	SC.AR.6255/ W
400 mm	+	SC.AR.6455/ N	SC.AR.6455/ M	SC.AR.6455/ W
1000 mm	alu. colour flexible	SC.AR.6055/ N	SC.AR.6055/ M	SC.AR.6055/ W

350mA - Powered - 1 x 1W
power supply excluded / powered included

N = Narrow beam: $\pm 10^\circ$
M = Medium beam: $\pm 25^\circ$
W = Wide beam: $\pm 40^\circ$

Warm white

	colour	code	code	code
200 mm	alu	SC.AR.7205/ N	SC.AR.7205/ M	SC.AR.7205/ W
400 mm	+	SC.AR.7405/ N	SC.AR.7405/ M	SC.AR.7405/ W
1000 mm	black silicone	SC.AR.7005/ N	SC.AR.7005/ M	SC.AR.7005/ W

200 mm	black	SC.AR.7285/ N	SC.AR.7285/ M	SC.AR.7285/ W
400 mm	+	SC.AR.7485/ N	SC.AR.7485/ M	SC.AR.7485/ W
1000 mm	black silicone	SC.AR.7085/ N	SC.AR.7085/ M	SC.AR.7085/ W

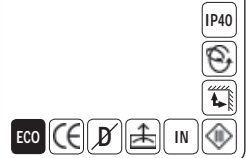
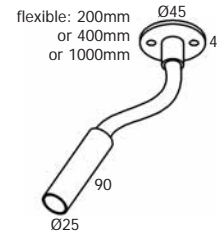
200 mm	white	SC.AR.7275/ N	SC.AR.7275/ M	SC.AR.7275/ W
400 mm	+	SC.AR.7475/ N	SC.AR.7475/ M	SC.AR.7475/ W
1000 mm	white silicone	SC.AR.7075/ N	SC.AR.7075/ M	SC.AR.7075/ W

200 mm	alu	SC.AR.7255/ N	SC.AR.7255/ M	SC.AR.7255/ W
400 mm	+	SC.AR.7455/ N	SC.AR.7455/ M	SC.AR.7455/ W
1000 mm	alu. colour flexible	SC.AR.7055/ N	SC.AR.7055/ M	SC.AR.7055/ W

350mA - Powered - 1 x 1W
power supply excluded / powered included

N = Narrow beam: $\pm 10^\circ$
M = Medium beam: $\pm 25^\circ$
W = Wide beam: $\pm 40^\circ$

Scar-led 1F built-in 45









Cold white

	colour	code	code	code
200 mm	alu	SC.AR.6203/ N	SC.AR.6203/ M	SC.AR.6203/ W
400 mm	+	SC.AR.6403/ N	SC.AR.6403/ M	SC.AR.6403/ W
1000 mm	black silicone	SC.AR.6003/ N	SC.AR.6003/ M	SC.AR.6003/ W

200 mm	black	SC.AR.6283/ N	SC.AR.6283/ M	SC.AR.6283/ W
400 mm	+	SC.AR.6483/ N	SC.AR.6483/ M	SC.AR.6483/ W
1000 mm	black silicone	SC.AR.6083/ N	SC.AR.6083/ M	SC.AR.6083/ W

200 mm	white	SC.AR.6273/ N	SC.AR.6273/ M	SC.AR.6273/ W
400 mm	+	SC.AR.6473/ N	SC.AR.6473/ M	SC.AR.6473/ W
1000 mm	white silicone	SC.AR.6073/ N	SC.AR.6073/ M	SC.AR.6073/ W

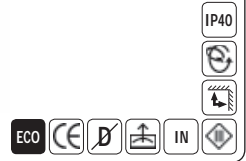
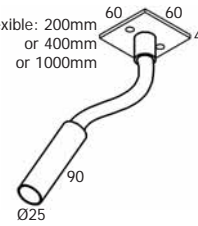
200 mm	alu	SC.AR.6253/ N	SC.AR.6253/ M	SC.AR.6253/ W
400 mm	+	SC.AR.6453/ N	SC.AR.6453/ M	SC.AR.6453/ W
1000 mm	alu. colour flexible	SC.AR.6053/ N	SC.AR.6053/ M	SC.AR.6053/ W

350mA - Powered - 1 x 1W
power supply excluded / powered included

N = Narrow beam: $\pm 10^\circ$
M = Medium beam: $\pm 25^\circ$
W = Wide beam: $\pm 40^\circ$

Scar-led 1F built-in 60

flexible: 200mm
 or 400mm
 or 1000mm



Warm white

	colour	code	code	code
200 mm	alu	SC.AR.7203/ N	SC.AR.7203/ M	SC.AR.7203/ W
400 mm	+	SC.AR.7403/ N	SC.AR.7403/ M	SC.AR.7403/ W
1000 mm	black silicone	SC.AR.7003/ N	SC.AR.7003/ M	SC.AR.7003/ W

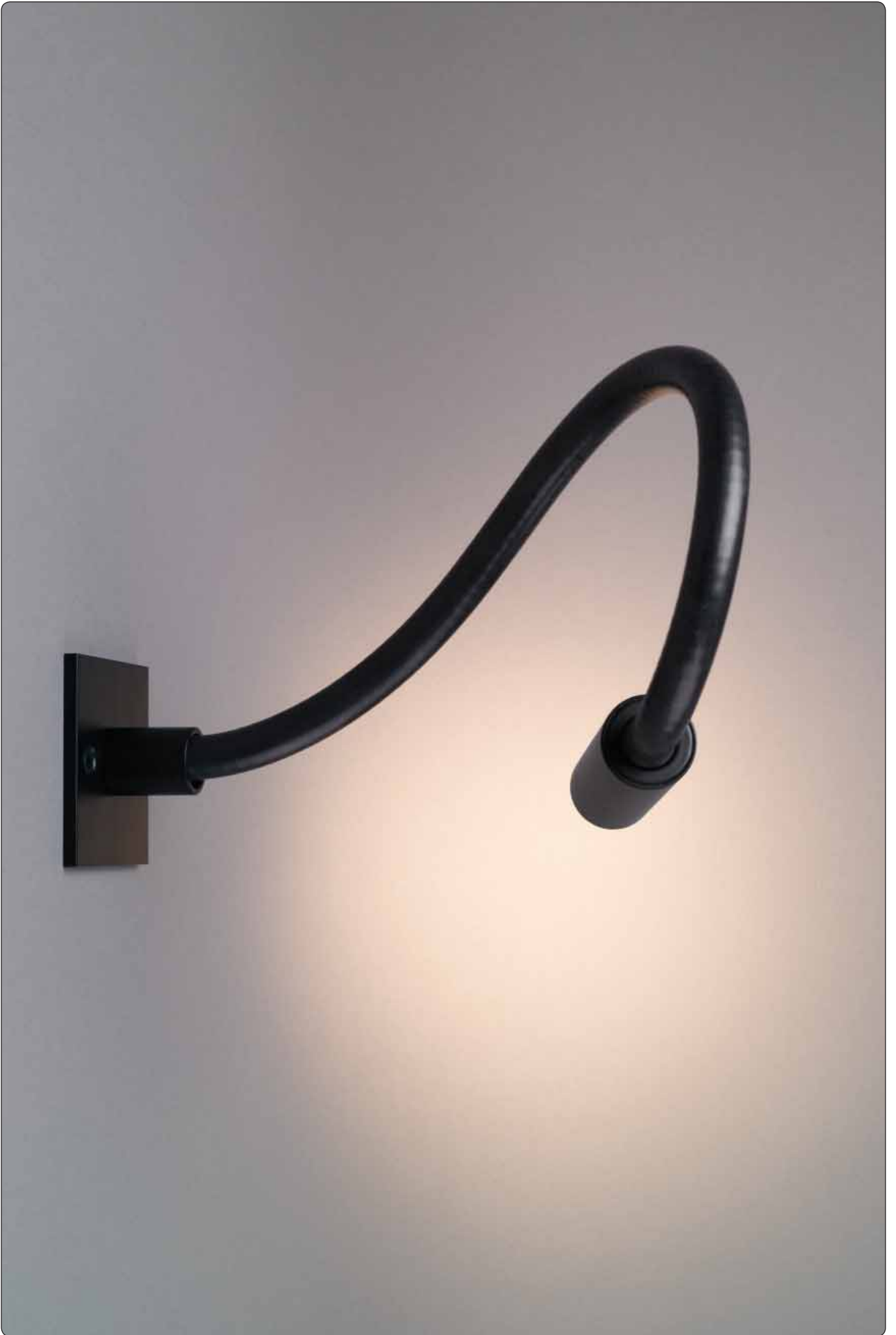
200 mm	black	SC.AR.7283/ N	SC.AR.7283/ M	SC.AR.7283/ W
400 mm	+	SC.AR.7483/ N	SC.AR.7483/ M	SC.AR.7483/ W
1000 mm	black silicone	SC.AR.7083/ N	SC.AR.7083/ M	SC.AR.7083/ W

200 mm	white	SC.AR.7273/ N	SC.AR.7273/ M	SC.AR.7273/ W
400 mm	+	SC.AR.7473/ N	SC.AR.7473/ M	SC.AR.7473/ W
1000 mm	white silicone	SC.AR.7073/ N	SC.AR.7073/ M	SC.AR.7073/ W

200 mm	alu	SC.AR.7253/ N	SC.AR.7253/ M	SC.AR.7253/ W
400 mm	+	SC.AR.7453/ N	SC.AR.7453/ M	SC.AR.7453/ W
1000 mm	alu. colour flexible	SC.AR.7053/ N	SC.AR.7053/ M	SC.AR.7053/ W

350mA - Powered - 1 x 1W
power supply excluded / powered included

N = Narrow beam: $\pm 10^\circ$
M = Medium beam: $\pm 25^\circ$
W = Wide beam: $\pm 40^\circ$







Cold white

	colour	code	code	code
200 mm	alu	SC.AR.6201/ N	SC.AR.6201/ M	SC.AR.6201/ W
400 mm	+	SC.AR.6401/ N	SC.AR.6401/ M	SC.AR.6401/ W
1000 mm	black silicone	SC.AR.6001/ N	SC.AR.6001/ M	SC.AR.6001/ W

200 mm	black	SC.AR.6281/ N	SC.AR.6281/ M	SC.AR.6281/ W
400 mm	+	SC.AR.6481/ N	SC.AR.6481/ M	SC.AR.6481/ W
1000 mm	black silicone	SC.AR.6081/ N	SC.AR.6081/ M	SC.AR.6081/ W

200 mm	white	SC.AR.6271/ N	SC.AR.6271/ M	SC.AR.6271/ W
400 mm	+	SC.AR.6471/ N	SC.AR.6471/ M	SC.AR.6471/ W
1000 mm	white silicone	SC.AR.6071/ N	SC.AR.6071/ M	SC.AR.6071/ W

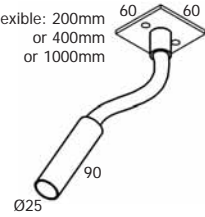
200 mm	alu	SC.AR.6251/ N	SC.AR.6251/ M	SC.AR.6251/ W
400 mm	+	SC.AR.6451/ N	SC.AR.6451/ M	SC.AR.6451/ W
1000 mm	alu. colour flexible	SC.AR.6051/ N	SC.AR.6051/ M	SC.AR.6051/ W

100...240V - Powered - 1 x 1W
power supply (to build in) & powered included

N = Narrow beam: $\pm 10^\circ$
M = Medium beam: $\pm 25^\circ$
W = Wide beam: $\pm 40^\circ$

Scar-led 1FD built-in 60

flexible: 200mm
or 400mm
or 1000mm



Warm white

	colour	code	code	code
200 mm	alu	SC.AR.7201/ N	SC.AR.7201/ M	SC.AR.7201/ W
400 mm	+	SC.AR.7401/ N	SC.AR.7401/ M	SC.AR.7401/ W
1000 mm	black silicone	SC.AR.7001/ N	SC.AR.7001/ M	SC.AR.7001/ W

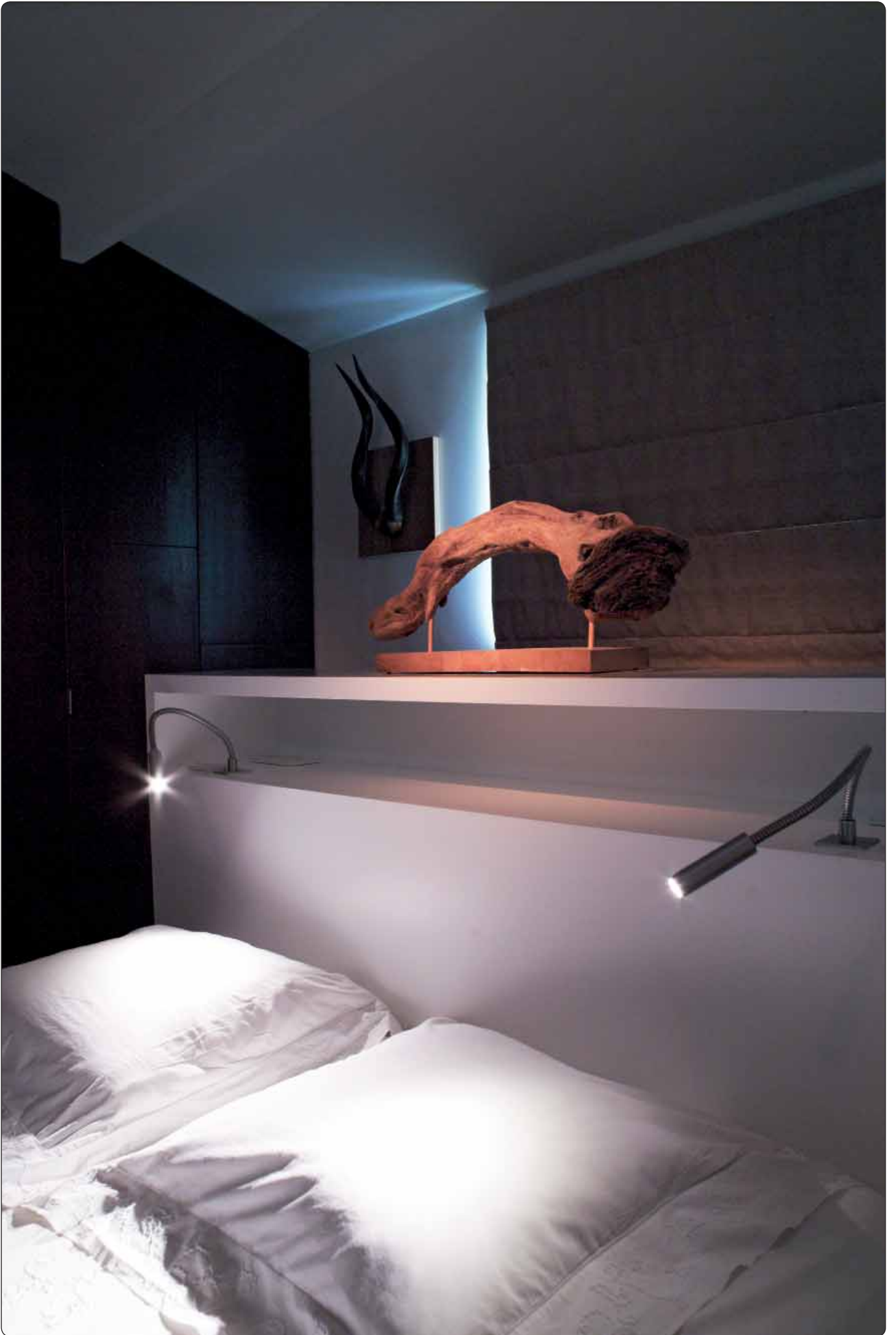
200 mm	black	SC.AR.7281/ N	SC.AR.7281/ M	SC.AR.7281/ W
400 mm	+	SC.AR.7481/ N	SC.AR.7481/ M	SC.AR.7481/ W
1000 mm	black silicone	SC.AR.7081/ N	SC.AR.7081/ M	SC.AR.7081/ W

200 mm	white	SC.AR.7271/ N	SC.AR.7271/ M	SC.AR.7271/ W
400 mm	+	SC.AR.7471/ N	SC.AR.7471/ M	SC.AR.7471/ W
1000 mm	white silicone	SC.AR.7071/ N	SC.AR.7071/ M	SC.AR.7071/ W

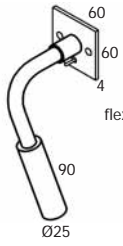
200 mm	alu	SC.AR.7251/ N	SC.AR.7251/ M	SC.AR.7251/ W
400 mm	+	SC.AR.7451/ N	SC.AR.7451/ M	SC.AR.7451/ W
1000 mm	alu. colour flexible	SC.AR.7051/ N	SC.AR.7051/ M	SC.AR.7051/ W

100...240V - Powered - 1 x 1W
power supply (to build in) & powered included

N = Narrow beam: $\pm 10^\circ$
M = Medium beam: $\pm 25^\circ$
W = Wide beam: $\pm 40^\circ$



Scar-led 1FDS built-in 60



flexible: 200mm
or 400mm
or 1000mm



Cold white

	colour	code	code	code
200 mm	alu	SC.AR.7212/ N	SC.AR.7212/ M	SC.AR.7212/ W
400 mm	+	SC.AR.7412/ N	SC.AR.7412/ M	SC.AR.7412/ W
1000 mm	black silicone	SC.AR.7012/ N	SC.AR.7012/ M	SC.AR.7012/ W

200 mm	black	SC.AR.6291/ N	SC.AR.6291/ M	SC.AR.6291/ W
400 mm	+	SC.AR.6491/ N	SC.AR.6491/ M	SC.AR.6491/ W
1000 mm	black silicone	SC.AR.6091/ N	SC.AR.6091/ M	SC.AR.6091/ W

200 mm	white	SC.AR.6261/ N	SC.AR.6261/ M	SC.AR.6261/ W
400 mm	+	SC.AR.6461/ N	SC.AR.6461/ M	SC.AR.6461/ W
1000 mm	white silicone	SC.AR.6061/ N	SC.AR.6061/ M	SC.AR.6061/ W

200 mm	alu	SC.AR.6252/ N	SC.AR.6252/ M	SC.AR.6252/ W
400 mm	+	SC.AR.6452/ N	SC.AR.6452/ M	SC.AR.6452/ W
1000 mm	alu. colour flexible	SC.AR.6052/ N	SC.AR.6052/ M	SC.AR.6052/ W

100...240V - Powered - 1 x 1W

power supply (to build in), switch & powered included

N = Narrow beam: ± 10°

M = Medium beam: ± 25°

W = Wide beam: ± 40°

Warm white

	colour	code	code	code
200 mm	alu	SC.AR.7211/ N	SC.AR.7211/ M	SC.AR.7211/ W
400 mm	+	SC.AR.7411/ N	SC.AR.7411/ M	SC.AR.7411/ W
1000 mm	black silicone	SC.AR.7011/ N	SC.AR.7011/ M	SC.AR.7011/ W

200 mm	black	SC.AR.7291/ N	SC.AR.7291/ M	SC.AR.7291/ W
400 mm	+	SC.AR.7491/ N	SC.AR.7491/ M	SC.AR.7491/ W
1000 mm	black silicone	SC.AR.7091/ N	SC.AR.7091/ M	SC.AR.7091/ W

200 mm	white	SC.AR.7261/ N	SC.AR.7261/ M	SC.AR.7261/ W
400 mm	+	SC.AR.7461/ N	SC.AR.7461/ M	SC.AR.7461/ W
1000 mm	white silicone	SC.AR.7061/ N	SC.AR.7061/ M	SC.AR.7061/ W

200 mm	alu	SC.AR.7252/ N	SC.AR.7252/ M	SC.AR.7252/ W
400 mm	+	SC.AR.7452/ N	SC.AR.7452/ M	SC.AR.7452/ W
1000 mm	alu. colour flexible	SC.AR.7052/ N	SC.AR.7052/ M	SC.AR.7052/ W

100...240V - Powered - 1 x 1W

power supply (to build in), switch & powered included

N = Narrow beam: ± 10°

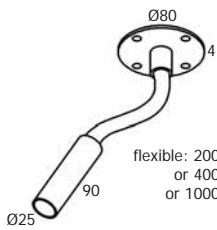
M = Medium beam: ± 25°

W = Wide beam: ± 40°





Scar-led 1FD built-in 80



flexible: 200mm
or 400mm
or 1000mm

Ø25

ECO

CE

D

IN

IP40



Cold white

	colour	code	code	code
200 mm	alu	SC.AR.8212/ N	SC.AR.8212/ M	SC.AR.8212/ W
400 mm	+	SC.AR.8412/ N	SC.AR.8412/ M	SC.AR.8412/ W
1000 mm	black silicone	SC.AR.8012/ N	SC.AR.8012/ M	SC.AR.8012/ W

200 mm	black	SC.AR.8282/ N	SC.AR.8282/ M	SC.AR.8282/ W
400 mm	+	SC.AR.8482/ N	SC.AR.8482/ M	SC.AR.8482/ W
1000 mm	black silicone	SC.AR.8082/ N	SC.AR.8082/ M	SC.AR.8082/ W

200 mm	white	SC.AR.8272/ N	SC.AR.8272/ M	SC.AR.8272/ W
400 mm	+	SC.AR.8472/ N	SC.AR.8472/ M	SC.AR.8472/ W
1000 mm	white silicone	SC.AR.8072/ N	SC.AR.8072/ M	SC.AR.8072/ W

200 mm	alu	SC.AR.8252/ N	SC.AR.8252/ M	SC.AR.8252/ W
400 mm	+	SC.AR.8452/ N	SC.AR.8452/ M	SC.AR.8452/ W
1000 mm	alu. colour flexible	SC.AR.8052/ N	SC.AR.8052/ M	SC.AR.8052/ W

100...240V - Powered - 1 x 1W

power supply (to build in) & powered included

N = Narrow beam: ± 10°

M = Medium beam: ± 25°

W = Wide beam: ± 40°

Warm white

	colour	code	code	code
200 mm	alu	SC.AR.8211/ N	SC.AR.8211/ M	SC.AR.8211/ W
400 mm	+	SC.AR.8411/ N	SC.AR.8411/ M	SC.AR.8411/ W
1000 mm	black silicone	SC.AR.8011/ N	SC.AR.8011/ M	SC.AR.8011/ W

200 mm	black	SC.AR.8281/ N	SC.AR.8281/ M	SC.AR.8281/ W
400 mm	+	SC.AR.8481/ N	SC.AR.8481/ M	SC.AR.8481/ W
1000 mm	black silicone	SC.AR.8081/ N	SC.AR.8081/ M	SC.AR.8081/ W

200 mm	white	SC.AR.8271/ N	SC.AR.8271/ M	SC.AR.8271/ W
400 mm	+	SC.AR.8471/ N	SC.AR.8471/ M	SC.AR.8471/ W
1000 mm	white silicone	SC.AR.8071/ N	SC.AR.8071/ M	SC.AR.8071/ W

200 mm	alu	SC.AR.8251/ N	SC.AR.8251/ M	SC.AR.8251/ W
400 mm	+	SC.AR.8451/ N	SC.AR.8451/ M	SC.AR.8451/ W
1000 mm	alu. colour flexible	SC.AR.8051/ N	SC.AR.8051/ M	SC.AR.8051/ W

100...240V - Powered - 1 x 1W

power supply (to build in) & powered included

N = Narrow beam: ± 10°

M = Medium beam: ± 25°

W = Wide beam: ± 40°









Cold white

	colour	code	code	code
200 mm	alu	SC.AR.9212/ N	SC.AR.9212/ M	SC.AR.9212/ W
400 mm	+	SC.AR.9412/ N	SC.AR.9412/ M	SC.AR.9412/ W
1000 mm	black silicone	SC.AR.9012/ N	SC.AR.9012/ M	SC.AR.9012/ W

200 mm	black	SC.AR.9282/ N	SC.AR.9282/ M	SC.AR.9282/ W
400 mm	+	SC.AR.9482/ N	SC.AR.9482/ M	SC.AR.9482/ W
1000 mm	black silicone	SC.AR.9082/ N	SC.AR.9082/ M	SC.AR.9082/ W

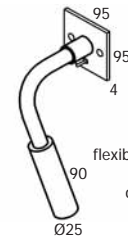
200 mm	white	SC.AR.9272/ N	SC.AR.9272/ M	SC.AR.9272/ W
400 mm	+	SC.AR.9472/ N	SC.AR.9472/ M	SC.AR.9472/ W
1000 mm	white silicone	SC.AR.9072/ N	SC.AR.9072/ M	SC.AR.9072/ W

200 mm	alu	SC.AR.9252/ N	SC.AR.9252/ M	SC.AR.9252/ W
400 mm	+	SC.AR.9452/ N	SC.AR.9452/ M	SC.AR.9452/ W
1000 mm	alu. colour flexible	SC.AR.9052/ N	SC.AR.9052/ M	SC.AR.9052/ W

100...240V - Poweredled - 1 x 1W
power supply (to build in), switch & powered included

N = Narrow beam: $\pm 10^\circ$
M = Medium beam: $\pm 25^\circ$
W = Wide beam: $\pm 40^\circ$

Scar-led 1FDS built-in 95



flexible: 200mm
or 400mm
or 1000mm



Warm white

	colour	code	code	code
200 mm	alu	SC.AR.9211/ N	SC.AR.9211/ M	SC.AR.9211/ W
400 mm	+	SC.AR.9411/ N	SC.AR.9411/ M	SC.AR.9411/ W
1000 mm	black silicone	SC.AR.9011/ N	SC.AR.9011/ M	SC.AR.9011/ W

200 mm	black	SC.AR.9281/ N	SC.AR.9281/ M	SC.AR.9281/ W
400 mm	+	SC.AR.9481/ N	SC.AR.9481/ M	SC.AR.9481/ W
1000 mm	black silicone	SC.AR.9081/ N	SC.AR.9081/ M	SC.AR.9081/ W

200 mm	white	SC.AR.9271/ N	SC.AR.9271/ M	SC.AR.9271/ W
400 mm	+	SC.AR.9471/ N	SC.AR.9471/ M	SC.AR.9471/ W
1000 mm	white silicone	SC.AR.9071/ N	SC.AR.9071/ M	SC.AR.9071/ W

200 mm	alu	SC.AR.9251/ N	SC.AR.9251/ M	SC.AR.9251/ W
400 mm	+	SC.AR.9451/ N	SC.AR.9451/ M	SC.AR.9451/ W
1000 mm	alu. colour flexible	SC.AR.9051/ N	SC.AR.9051/ M	SC.AR.9051/ W

100...240V - Poweredled - 1 x 1W
power supply (to build in), switch & powered included

N = Narrow beam: $\pm 10^\circ$
M = Medium beam: $\pm 25^\circ$
W = Wide beam: $\pm 40^\circ$

Cold white

	colour	code	code	code
200 mm	alu	SC.AR.3331/ N	SC.AR.3331/ M	SC.AR.3331/ W
400 mm	+	SC.AR.3361/ N	SC.AR.3361/ M	SC.AR.3361/ W
1000 mm	black silicone	SC.AR.3351/ N	SC.AR.3351/ M	SC.AR.3351/ W

200 mm	black	SC.AR.3831/ N	SC.AR.3831/ M	SC.AR.3831/ W
400 mm	+	SC.AR.3861/ N	SC.AR.3861/ M	SC.AR.3861/ W
1000 mm	black silicone	SC.AR.3851/ N	SC.AR.3851/ M	SC.AR.3851/ W

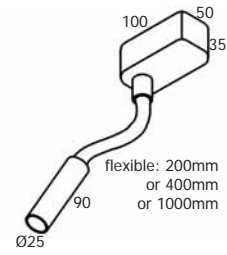
200 mm	white	SC.AR.3731/ N	SC.AR.3731/ M	SC.AR.3731/ W
400 mm	+	SC.AR.3761/ N	SC.AR.3761/ M	SC.AR.3761/ W
1000 mm	white silicone	SC.AR.3751/ N	SC.AR.3751/ M	SC.AR.3751/ W

200 mm	alu	SC.AR.3531/ N	SC.AR.3531/ M	SC.AR.3531/ W
400 mm	+	SC.AR.3561/ N	SC.AR.3561/ M	SC.AR.3561/ W
1000 mm	alu. colour flexible	SC.AR.3551/ N	SC.AR.3551/ M	SC.AR.3551/ W

100...240V - Poweredled - 1 x 1W
power supply & poweredled included

N = Narrow beam: $\pm 10^\circ$
M = Medium beam: $\pm 25^\circ$
W = Wide beam: $\pm 40^\circ$

Scar-led 1FD



Warm white

	colour	code	code	code
200 mm	alu	SC.AR.4331/ N	SC.AR.4331/ M	SC.AR.4331/ W
400 mm	+	SC.AR.4361/ N	SC.AR.4361/ M	SC.AR.4361/ W
1000 mm	black silicone	SC.AR.4351/ N	SC.AR.4351/ M	SC.AR.4351/ W

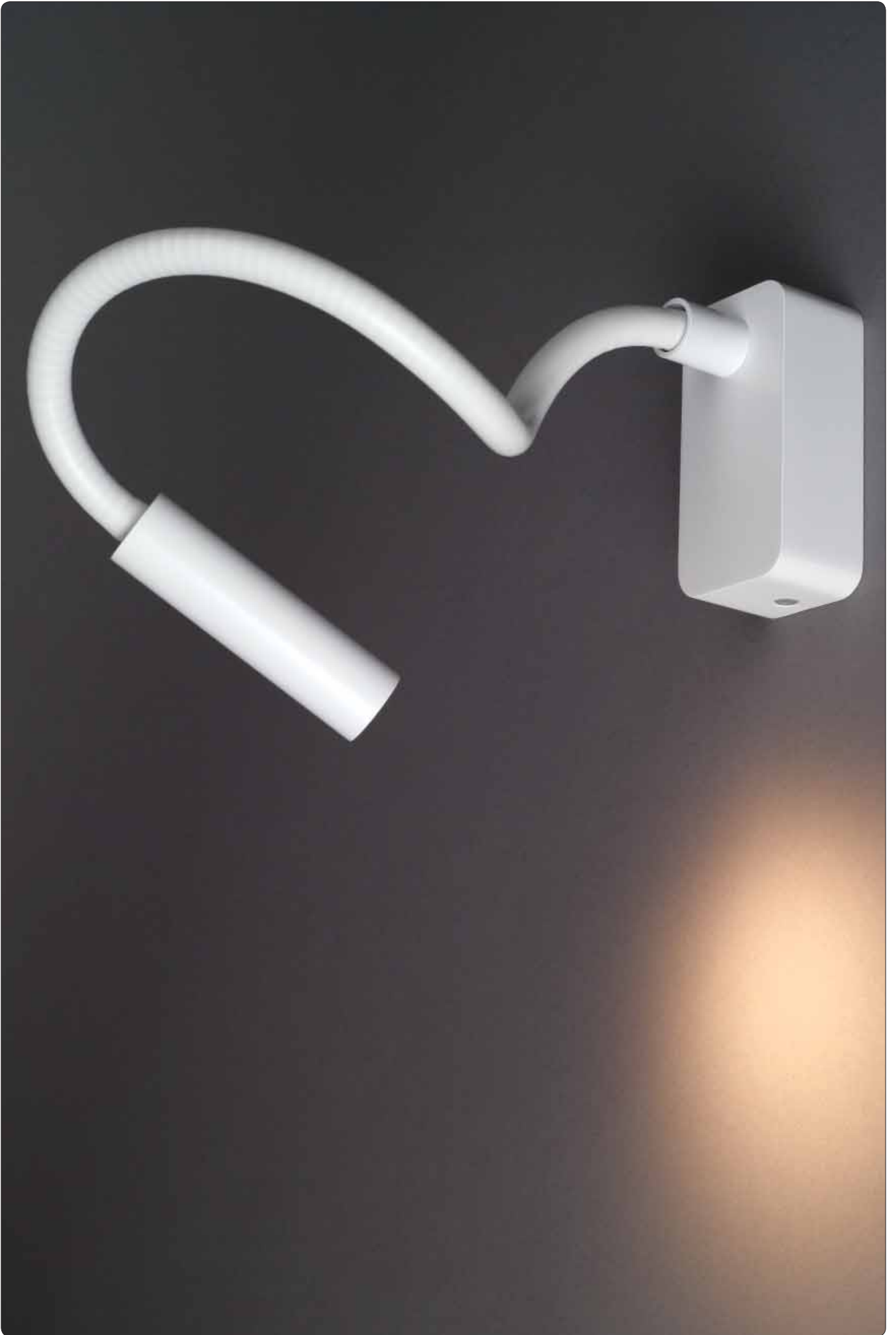
200 mm	black	SC.AR.4831/ N	SC.AR.4831/ M	SC.AR.4831/ W
400 mm	+	SC.AR.4861/ N	SC.AR.4861/ M	SC.AR.4861/ W
1000 mm	black silicone	SC.AR.4851/ N	SC.AR.4851/ M	SC.AR.4851/ W

200 mm	white	SC.AR.4731/ N	SC.AR.4731/ M	SC.AR.4731/ W
400 mm	+	SC.AR.4761/ N	SC.AR.4761/ M	SC.AR.4761/ W
1000 mm	white silicone	SC.AR.4751/ N	SC.AR.4751/ M	SC.AR.4751/ W

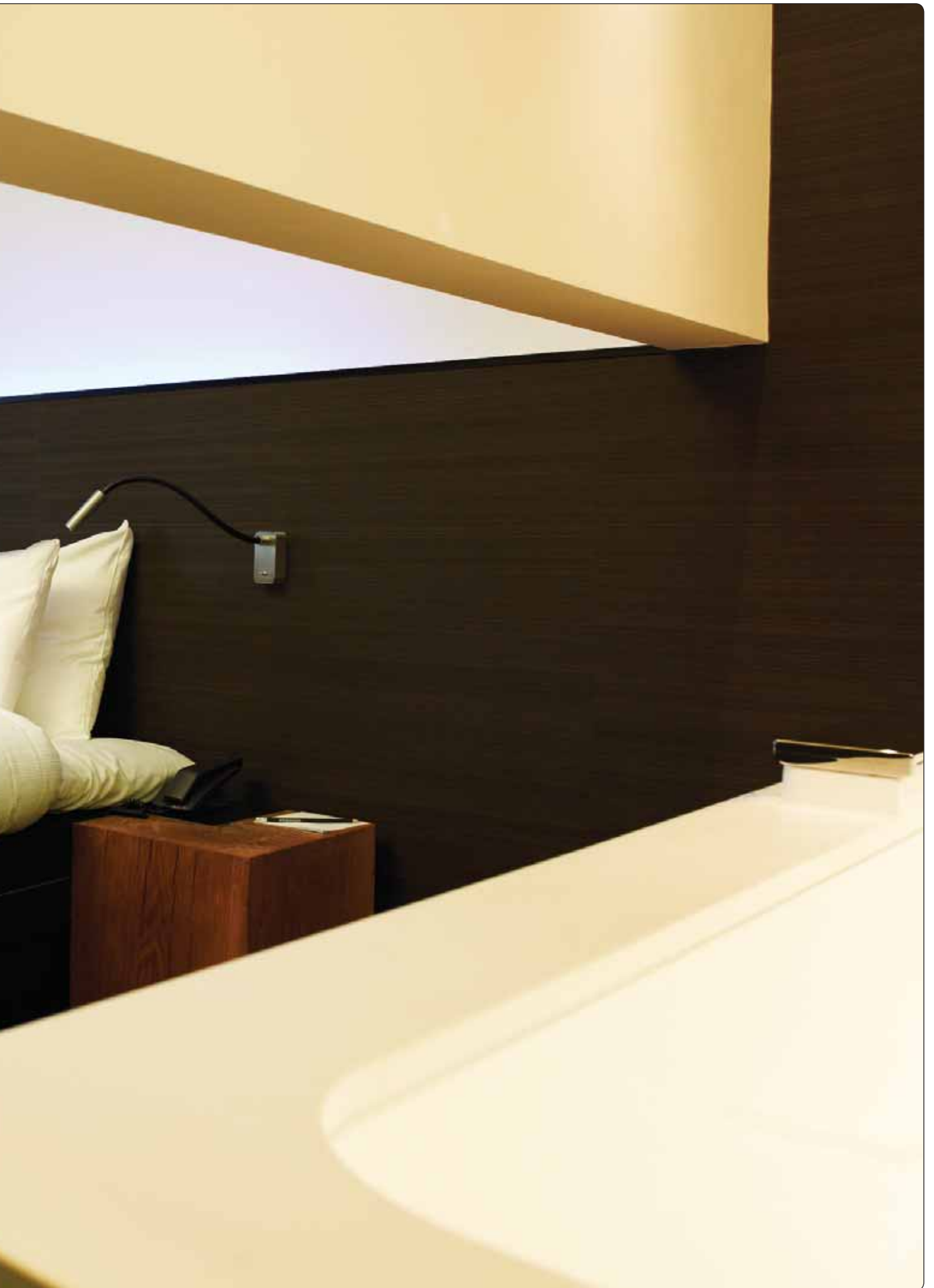
200 mm	alu	SC.AR.4531/ N	SC.AR.4531/ M	SC.AR.4531/ W
400 mm	+	SC.AR.4561/ N	SC.AR.4561/ M	SC.AR.4561/ W
1000 mm	alu. colour flexible	SC.AR.4551/ N	SC.AR.4551/ M	SC.AR.4551/ W

100...240V - Poweredled - 1 x 1W
power supply & poweredled included

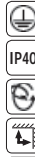
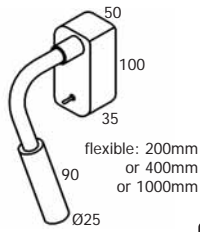
N = Narrow beam: $\pm 10^\circ$
M = Medium beam: $\pm 25^\circ$
W = Wide beam: $\pm 40^\circ$







Scar-led 1FDS



Cold white

	colour	code	code	code
200 mm	alu	SC.AR.3335/ N	SC.AR.3335/ M	SC.AR.3335/ W
400 mm	+	SC.AR.3365/ N	SC.AR.3365/ M	SC.AR.3365/ W
1000 mm	black silicone	SC.AR.3355/ N	SC.AR.3355/ M	SC.AR.3355/ W

200 mm	black	SC.AR.3835/ N	SC.AR.3835/ M	SC.AR.3835/ W
400 mm	+	SC.AR.3865/ N	SC.AR.3865/ M	SC.AR.3865/ W
1000 mm	black silicone	SC.AR.3855/ N	SC.AR.3855/ M	SC.AR.3855/ W

200 mm	white	SC.AR.3735/ N	SC.AR.3735/ M	SC.AR.3735/ W
400 mm	+	SC.AR.3765/ N	SC.AR.3765/ M	SC.AR.3765/ W
1000 mm	white silicone	SC.AR.3755/ N	SC.AR.3755/ M	SC.AR.3755/ W

200 mm	alu	SC.AR.3535/ N	SC.AR.3535/ M	SC.AR.3535/ W
400 mm	+	SC.AR.3565/ N	SC.AR.3565/ M	SC.AR.3565/ W
1000 mm	alu. colour flexible	SC.AR.3555/ N	SC.AR.3555/ M	SC.AR.3555/ W

100...240V - Powered - 1 x 1W
power supply, switch & powered included

N = Narrow beam: ± 10°
M = Medium beam: ± 25°
W = Wide beam: ± 40°

Warm white

	colour	code	code	code
200 mm	alu	SC.AR.4335/ N	SC.AR.4335/ M	SC.AR.4335/ W
400 mm	+	SC.AR.4365/ N	SC.AR.4365/ M	SC.AR.4365/ W
1000 mm	black silicone	SC.AR.4355/ N	SC.AR.4355/ M	SC.AR.4355/ W

200 mm	black	SC.AR.4835/ N	SC.AR.4835/ M	SC.AR.4835/ W
400 mm	+	SC.AR.4865/ N	SC.AR.4865/ M	SC.AR.4865/ W
1000 mm	black silicone	SC.AR.4855/ N	SC.AR.4855/ M	SC.AR.4855/ W

200 mm	white	SC.AR.4735/ N	SC.AR.4735/ M	SC.AR.4735/ W
400 mm	+	SC.AR.4765/ N	SC.AR.4765/ M	SC.AR.4765/ W
1000 mm	white silicone	SC.AR.4755/ N	SC.AR.4755/ M	SC.AR.4755/ W

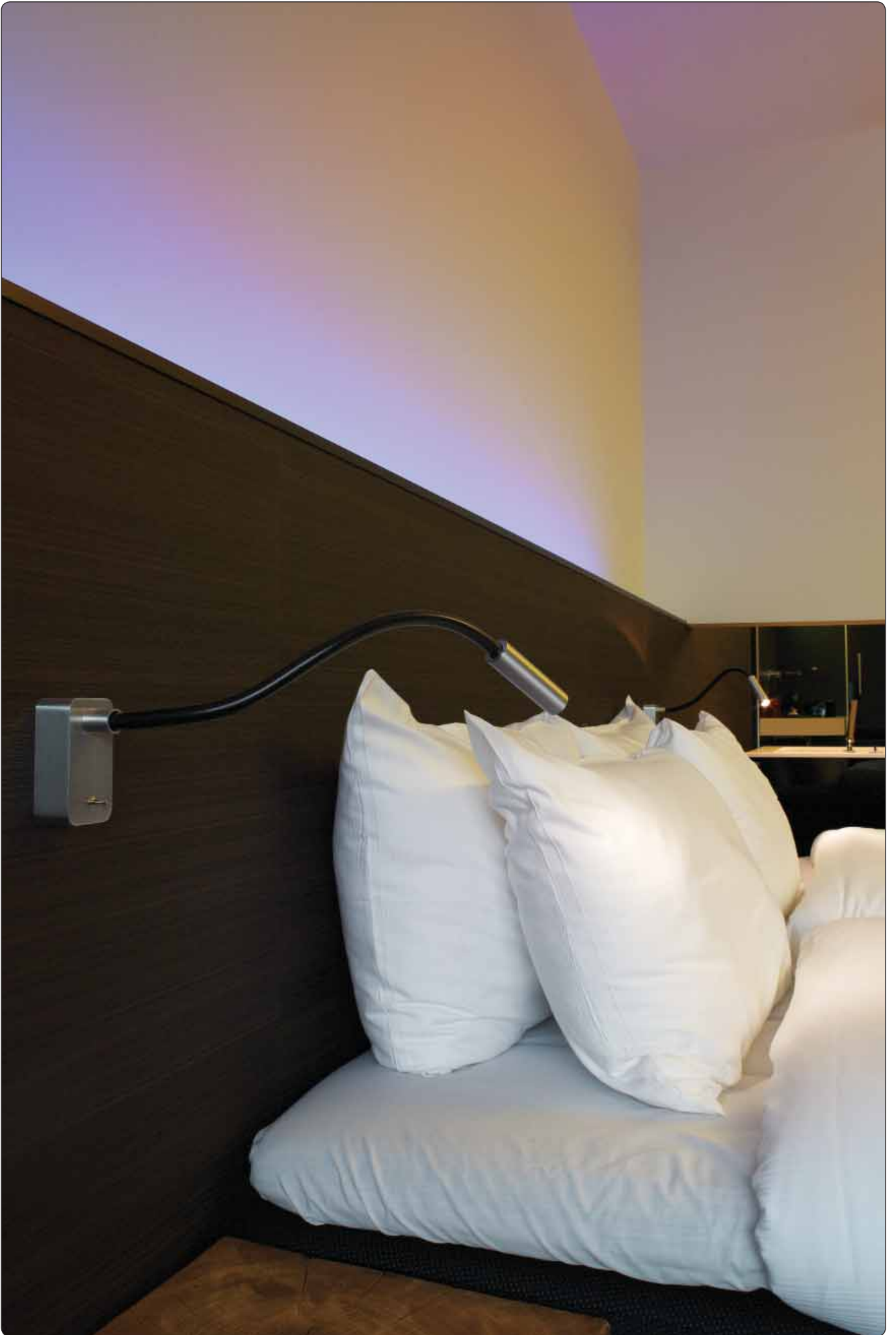
200 mm	alu	SC.AR.4535/ N	SC.AR.4535/ M	SC.AR.4535/ W
400 mm	+	SC.AR.4565/ N	SC.AR.4565/ M	SC.AR.4565/ W
1000 mm	alu. colour flexible	SC.AR.4555/ N	SC.AR.4555/ M	SC.AR.4555/ W

100...240V - Powered - 1 x 1W
power supply, switch & powered included

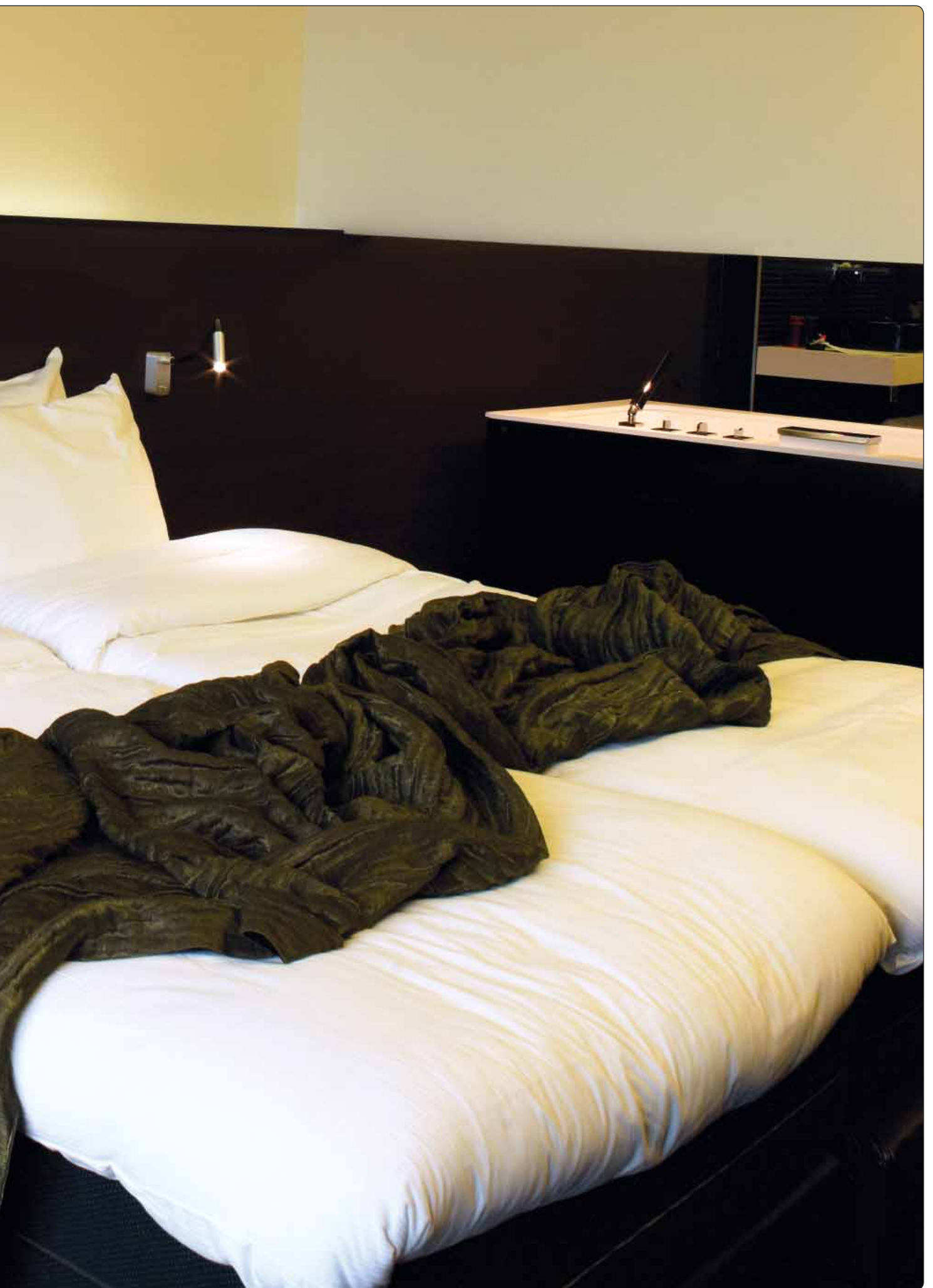
N = Narrow beam: ± 10°
M = Medium beam: ± 25°
W = Wide beam: ± 40°











Cold white

	colour	code	code	code
200 mm	alu	SC.AR.3332/ N	SC.AR.3332/ M	SC.AR.3332/ W
400 mm	+	SC.AR.3362/ N	SC.AR.3362/ M	SC.AR.3362/ W
1000 mm	black silicone	SC.AR.3352/ N	SC.AR.3352/ M	SC.AR.3352/ W

200 mm	black	SC.AR.3832/ N	SC.AR.3832/ M	SC.AR.3832/ W
400 mm	+	SC.AR.3862/ N	SC.AR.3862/ M	SC.AR.3862/ W
1000 mm	black silicone	SC.AR.3852/ N	SC.AR.3852/ M	SC.AR.3852/ W

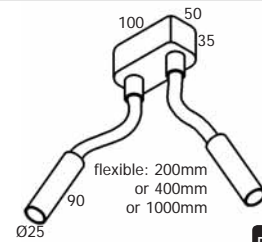
200 mm	white	SC.AR.3732/ N	SC.AR.3732/ M	SC.AR.3732/ W
400 mm	+	SC.AR.3762/ N	SC.AR.3762/ M	SC.AR.3762/ W
1000 mm	white silicone	SC.AR.3752/ N	SC.AR.3752/ M	SC.AR.3752/ W

200 mm	alu	SC.AR.3532/ N	SC.AR.3532/ M	SC.AR.3532/ W
400 mm	+	SC.AR.3562/ N	SC.AR.3562/ M	SC.AR.3562/ W
1000 mm	alu. colour flexible	SC.AR.3552/ N	SC.AR.3552/ M	SC.AR.3552/ W

100...240V - Powered - 2 x 1W
power supply & powered included

N = Narrow beam: $\pm 10^\circ$
M = Medium beam: $\pm 25^\circ$
W = Wide beam: $\pm 40^\circ$

Scar-led 2FD



Warm white

	colour	code	code	code
200 mm	alu	SC.AR.4332/ N	SC.AR.4332/ M	SC.AR.4332/ W
400 mm	+	SC.AR.4362/ N	SC.AR.4362/ M	SC.AR.4362/ W
1000 mm	black silicone	SC.AR.4352/ N	SC.AR.4352/ M	SC.AR.4352/ W

200 mm	black	SC.AR.4832/ N	SC.AR.4832/ M	SC.AR.4832/ W
400 mm	+	SC.AR.4862/ N	SC.AR.4862/ M	SC.AR.4862/ W
1000 mm	black silicone	SC.AR.4852/ N	SC.AR.4852/ M	SC.AR.4852/ W

200 mm	white	SC.AR.4732/ N	SC.AR.4732/ M	SC.AR.4732/ W
400 mm	+	SC.AR.4762/ N	SC.AR.4762/ M	SC.AR.4762/ W
1000 mm	white silicone	SC.AR.4752/ N	SC.AR.4752/ M	SC.AR.4752/ W

200 mm	alu	SC.AR.4532/ N	SC.AR.4532/ M	SC.AR.4532/ W
400 mm	+	SC.AR.4562/ N	SC.AR.4562/ M	SC.AR.4562/ W
1000 mm	alu. colour flexible	SC.AR.4552/ N	SC.AR.4552/ M	SC.AR.4552/ W

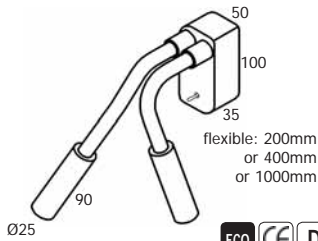
100...240V - Powered - 2 x 1W
power supply & powered included

N = Narrow beam: $\pm 10^\circ$
M = Medium beam: $\pm 25^\circ$
W = Wide beam: $\pm 40^\circ$





Scar-led 2FDS



ECO

CE

D

SW

IN



IP40



Cold white

	colour	code	code	code
200 mm	alu	SC.AR.3336/ N	SC.AR.3336/ M	SC.AR.3336/ W
400 mm	+	SC.AR.3366/ N	SC.AR.3366/ M	SC.AR.3366/ W
1000 mm	black silicone	SC.AR.3356/ N	SC.AR.3356/ M	SC.AR.3356/ W

200 mm	black	SC.AR.3836/ N	SC.AR.3836/ M	SC.AR.3836/ W
400 mm	+	SC.AR.3866/ N	SC.AR.3866/ M	SC.AR.3866/ W
1000 mm	black silicone	SC.AR.3856/ N	SC.AR.3856/ M	SC.AR.3856/ W

200 mm	white	SC.AR.3736/ N	SC.AR.3736/ M	SC.AR.3736/ W
400 mm	+	SC.AR.3766/ N	SC.AR.3766/ M	SC.AR.3766/ W
1000 mm	white silicone	SC.AR.3756/ N	SC.AR.3756/ M	SC.AR.3756/ W

200 mm	alu	SC.AR.3536/ N	SC.AR.3536/ M	SC.AR.3536/ W
400 mm	+	SC.AR.3566/ N	SC.AR.3566/ M	SC.AR.3566/ W
1000 mm	alu. colour flexible	SC.AR.3556/ N	SC.AR.3556/ M	SC.AR.3556/ W

100...240V - Powered - 2 x 1W
power supply, switch & powered included

N = Narrow beam: ± 10°
M = Medium beam: ± 25°
W = Wide beam: ± 40°

Warm white

	colour	code	code	code
200 mm	alu	SC.AR.4336/ N	SC.AR.4336/ M	SC.AR.4336/ W
400 mm	+	SC.AR.4366/ N	SC.AR.4366/ M	SC.AR.4366/ W
1000 mm	black silicone	SC.AR.4356/ N	SC.AR.4356/ M	SC.AR.4356/ W

200 mm	black	SC.AR.4836/ N	SC.AR.4836/ M	SC.AR.4836/ W
400 mm	+	SC.AR.4866/ N	SC.AR.4866/ M	SC.AR.4866/ W
1000 mm	black silicone	SC.AR.4856/ N	SC.AR.4856/ M	SC.AR.4856/ W

200 mm	white	SC.AR.4736/ N	SC.AR.4736/ M	SC.AR.4736/ W
400 mm	+	SC.AR.4766/ N	SC.AR.4766/ M	SC.AR.4766/ W
1000 mm	white silicone	SC.AR.4756/ N	SC.AR.4756/ M	SC.AR.4756/ W

200 mm	alu	SC.AR.4536/ N	SC.AR.4536/ M	SC.AR.4536/ W
400 mm	+	SC.AR.4566/ N	SC.AR.4566/ M	SC.AR.4566/ W
1000 mm	alu. colour flexible	SC.AR.4556/ N	SC.AR.4556/ M	SC.AR.4556/ W

100...240V - Powered - 2 x 1W
power supply, switch & powered included

N = Narrow beam: ± 10°
M = Medium beam: ± 25°
W = Wide beam: ± 40°

Cold white

	colour	code	code	code
200 mm	alu	SC.AR.3340/ N	SC.AR.3340/ M	SC.AR.3340/ W
400 mm	+	SC.AR.3360/ N	SC.AR.3360/ M	SC.AR.3360/ W
1000 mm	black silicone	SC.AR.3350/ N	SC.AR.3350/ M	SC.AR.3350/ W

200 mm	black	SC.AR.3840/ N	SC.AR.3840/ M	SC.AR.3840/ W
400 mm	+	SC.AR.3860/ N	SC.AR.3860/ M	SC.AR.3860/ W
1000 mm	black silicone	SC.AR.3850/ N	SC.AR.3850/ M	SC.AR.3850/ W

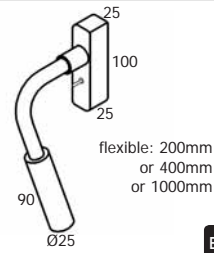
200 mm	white	SC.AR.3740/ N	SC.AR.3740/ M	SC.AR.3740/ W
400 mm	+	SC.AR.3760/ N	SC.AR.3760/ M	SC.AR.3760/ W
1000 mm	white silicone	SC.AR.3750/ N	SC.AR.3750/ M	SC.AR.3750/ W

200 mm	alu	SC.AR.3540/ N	SC.AR.3540/ M	SC.AR.3540/ W
400 mm	+	SC.AR.3560/ N	SC.AR.3560/ M	SC.AR.3560/ W
1000 mm	alu. colour flexible	SC.AR.3550/ N	SC.AR.3550/ M	SC.AR.3550/ W

350mA - Powered - 1 x 1W
power supply excluded /switch & powered included

N = Narrow beam: ± 10°
M = Medium beam: ± 25°
W = Wide beam: ± 40°

Scar-led 1FS



Warm white

	colour	code	code	code
200 mm	alu	SC.AR.4340/ N	SC.AR.4340/ M	SC.AR.4340/ W
400 mm	+	SC.AR.4360/ N	SC.AR.4360/ M	SC.AR.4360/ W
1000 mm	black silicone	SC.AR.4350/ N	SC.AR.4350/ M	SC.AR.4350/ W

200 mm	black	SC.AR.4840/ N	SC.AR.4840/ M	SC.AR.4840/ W
400 mm	+	SC.AR.4860/ N	SC.AR.4860/ M	SC.AR.4860/ W
1000 mm	black silicone	SC.AR.4850/ N	SC.AR.4850/ M	SC.AR.4850/ W

200 mm	white	SC.AR.4740/ N	SC.AR.4740/ M	SC.AR.4740/ W
400 mm	+	SC.AR.4760/ N	SC.AR.4760/ M	SC.AR.4760/ W
1000 mm	white silicone	SC.AR.4750/ N	SC.AR.4750/ M	SC.AR.4750/ W

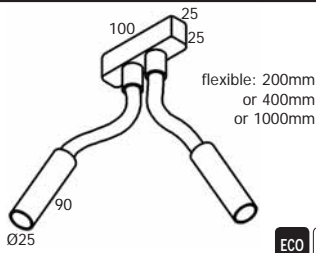
200 mm	alu	SC.AR.4540/ N	SC.AR.4540/ M	SC.AR.4540/ W
400 mm	+	SC.AR.4560/ N	SC.AR.4560/ M	SC.AR.4560/ W
1000 mm	alu. colour flexible	SC.AR.4550/ N	SC.AR.4550/ M	SC.AR.4550/ W

350mA - Powered - 1 x 1W
power supply excluded /switch & powered included

N = Narrow beam: ± 10°
M = Medium beam: ± 25°
W = Wide beam: ± 40°



Scar-led 2F



flexible: 200mm
or 400mm
or 1000mm

IP40



ECO



IN

Cold white

	colour	code	code	code
200 mm	alu	SC.AR.3341/ N	SC.AR.3341/ M	SC.AR.3341/ W
400 mm	+	SC.AR.3371/ N	SC.AR.3371/ M	SC.AR.3371/ W
1000 mm	black silicone	SC.AR.3381/ N	SC.AR.3381/ M	SC.AR.3381/ W

200 mm	black	SC.AR.3841/ N	SC.AR.3841/ M	SC.AR.3841/ W
400 mm	+	SC.AR.3871/ N	SC.AR.3871/ M	SC.AR.3871/ W
1000 mm	black silicone	SC.AR.3881/ N	SC.AR.3881/ M	SC.AR.3881/ W

200 mm	white	SC.AR.3741/ N	SC.AR.3741/ M	SC.AR.3741/ W
400 mm	+	SC.AR.3771/ N	SC.AR.3771/ M	SC.AR.3771/ W
1000 mm	white silicone	SC.AR.3781/ N	SC.AR.3781/ M	SC.AR.3781/ W

200 mm	alu	SC.AR.3541/ N	SC.AR.3541/ M	SC.AR.3541/ W
400 mm	+	SC.AR.3571/ N	SC.AR.3571/ M	SC.AR.3571/ W
1000 mm	alu. colour flexible	SC.AR.3581/ N	SC.AR.3581/ M	SC.AR.3581/ W

350mA - Powered - 2 x 1W
power supply excluded / powered included

N = Narrow beam: ± 10°
M = Medium beam: ± 25°
W = Wide beam: ± 40°

Warm white

	colour	code	code	code
200 mm	alu	SC.AR.4341/ N	SC.AR.4341/ M	SC.AR.4341/ W
400 mm	+	SC.AR.4371/ N	SC.AR.4371/ M	SC.AR.4371/ W
1000 mm	black silicone	SC.AR.4381/ N	SC.AR.4381/ M	SC.AR.4381/ W

200 mm	black	SC.AR.4841/ N	SC.AR.4841/ M	SC.AR.4841/ W
400 mm	+	SC.AR.4871/ N	SC.AR.4871/ M	SC.AR.4871/ W
1000 mm	black silicone	SC.AR.4881/ N	SC.AR.4881/ M	SC.AR.4881/ W

200 mm	white	SC.AR.4741/ N	SC.AR.4741/ M	SC.AR.4741/ W
400 mm	+	SC.AR.4771/ N	SC.AR.4771/ M	SC.AR.4771/ W
1000 mm	white silicone	SC.AR.4781/ N	SC.AR.4781/ M	SC.AR.4781/ W

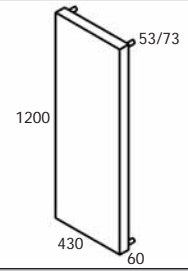
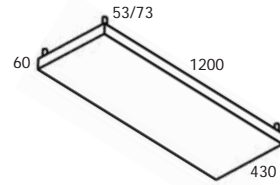
200 mm	alu	SC.AR.4541/ N	SC.AR.4541/ M	SC.AR.4541/ W
400 mm	+	SC.AR.4571/ N	SC.AR.4571/ M	SC.AR.4571/ W
1000 mm	alu. colour flexible	SC.AR.4581/ N	SC.AR.4581/ M	SC.AR.4581/ W

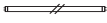
350mA - Powered - 2 x 1W
power supply excluded / powered included

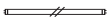
N = Narrow beam: ± 10°
M = Medium beam: ± 25°
W = Wide beam: ± 40°

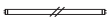


Tizor 1200 W/C

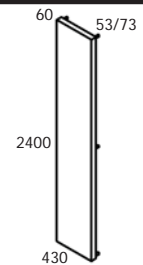
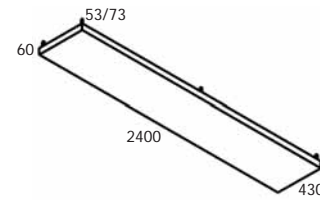



		colour	code
Tizor 1200 W/C (2 x 28W)	2 sides PMMA white	ano	T1.WC.1201
Tizor 1200 W/C (4 x 28W)			T1.WC.1203
230...240V - G5 - T5 - HE 28W 			

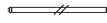
Tizor 1200 W/C (2 x 54W)	2 sides PMMA white	ano	T1.WC.1202
Tizor 1200 W/C (4 x 54W)			T1.WC.1204
230...240V - G5 - T5 - HO 54W 			


Tizor 1200 W/C (2 x 54W) dimmable *	2 sides PMMA white	ano	T1.WC.1205
Tizor 1200 W/C (4 x 54W) dimmable *			T1.WC.1206
230...240V - G5 - T5 - HO 54W 			
* dimmable 1-10V (switch-dim on demand) gear included			

Tizor 2400 W/C



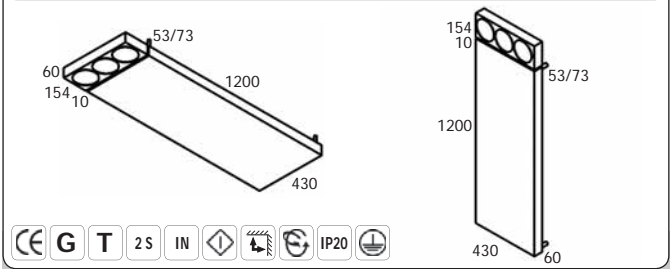
		colour	code
Tizor 2400 W/C (4 x 28W)	2 sides PMMA white	ano	T1.WC.2401
Tizor 2400 W/C (6 x 28W)			T1.WC.2403
230...240V - G5 - T5 - HE 28W 			



Tizor 2400 W/C (4 x 54W)	2 sides PMMA white	ano	T1.WC.2402
Tizor 2400 W/C (6 x 54W)			T1.WC.2404
230...240V - G5 - T5 - HO 54W 			



Tizor 2400 W/C (4 x 54W) dimmable *	2 sides PMMA white	ano	T1.WC.2405
Tizor 2400 W/C (6 x 54W) dimmable *			T1.WC.2406
230...240V - G5 - T5 - HO 54W 			
* dimmable 1-10V (switch-dim on demand) gear included			





Tizor 1200 GT1-W/C

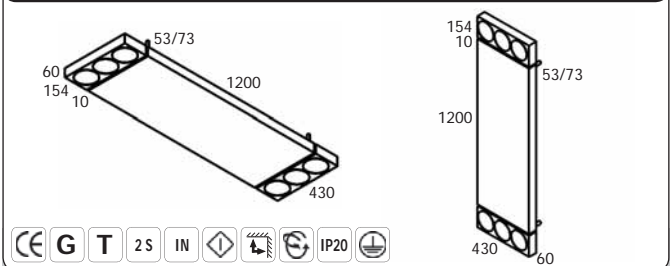



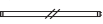
	colour	code
Tizor 1200 GT1-W/C (2 x 28W)		T1.WC.1211
Tizor 1200 GT1-W/C (2 x 28W) + 2 circuit *		T1.DC.1211
Tizor 1200 GT1-W/C (4 x 28W)	2 sides PMMA white	ano
Tizor 1200 GT1-W/C (4 x 28W) + 2 circuit *		T1.WC.1213
Tizor 1200 GT1-W/C (4 x 28W) + 2 circuit *		T1.DC.1213
230...240V - G53 - 3 x QR111 - max. 50W  + G5 - T5 - HE 28W 		


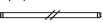
Tizor 1200 GT1-W/C (2 x 54W)		T1.WC.1212
Tizor 1200 GT1-W/C (2 x 54W) + 2 circuit *		T1.DC.1212
Tizor 1200 GT1-W/C (4 x 54W)	2 sides PMMA white	ano
Tizor 1200 GT1-W/C (4 x 54W) + 2 circuit *		T1.WC.1214
Tizor 1200 GT1-W/C (4 x 54W) + 2 circuit *		T1.DC.1214
230...240V - G53 - 3 x QR111 - max. 50W  + G5 - T5 - HO 54W 		



Tizor 1200 GT1-W/C (2 x 54W) DIM. + 2 circuit **		T1.WC.1215
Tizor 1200 GT1-W/C (4 x 54W) DIM. + 2 circuit **	2 sides PMMA white	ano
Tizor 1200 GT1-W/C (4 x 54W) DIM. + 2 circuit **		T1.WC.1216
230...240V - G53 - 3 x QR111 - max. 50W  + G5 - T5 - HO 54W 		
* 2 circuit = separate alimentation for T5 & QR111 ** dimmable 1-10V + 2 circuit (switch-dim on demand) gear & tranfo. included		

Tizor 1200 GT2-W/C



	colour	code
Tizor 1200 GT2-W/C (2 x 28W)		T1.WC.1221
Tizor 1200 GT2-W/C (2 x 28W) + 2 circuit *		T1.DC.1221
Tizor 1200 GT2-W/C (4 x 28W)	2 sides PMMA white	ano
Tizor 1200 GT2-W/C (4 x 28W) + 2 circuit *		T1.WC.1223
Tizor 1200 GT2-W/C (4 x 28W) + 2 circuit *		T1.DC.1223
230...240V - G53 - 6 x QR111 - max. 50W  + G5 - T5 - HE 28W 		

Tizor 1200 GT2-W/C (2 x 54W)		T1.WC.1222
Tizor 1200 GT2-W/C (2 x 54W) + 2 circuit *		T1.DC.1222
Tizor 1200 GT2-W/C (4 x 54W)	2 sides PMMA white	ano
Tizor 1200 GT2-W/C (4 x 54W) + 2 circuit *		T1.WC.1224
Tizor 1200 GT2-W/C (4 x 54W) + 2 circuit *		T1.DC.1224
230...240V - G53 - 6 x QR111 - max. 50W  + G5 - T5 - HO 54W 		

Tizor 1200 GT2-W/C (2 x 54W) DIM. + 2 circuit **		T1.WC.1225
Tizor 1200 GT2-W/C (4 x 54W) DIM. + 2 circuit **	2 sides PMMA white	ano
Tizor 1200 GT2-W/C (4 x 54W) DIM. + 2 circuit **		T1.WC.1226
230...240V - G53 - 6 x QR111 - max. 50W  + G5 - T5 - HO 54W 		
* 2 circuit = separate alimentation for T5 & QR111 ** dimmable 1-10V + 2 circuit (switch-dim on demand) gear & tranfo. included		





Za IN



	colour	code
1 side frosted glass + 1 side alu		ZA.PR.3001
1 side blue frosted glass + 1 side alu		ZA.PR.3002
1 side red frosted glass + 1 side alu		ZA.PR.3003
1 side green frosted glass + 1 side alu	alu	ZA.PR.3004
1 side blue transparent glass + 1 side alu		ZA.PR.3005
1 side red transparent glass + 1 side alu		ZA.PR.3006
1 side green transparent glass + 1 side alu		ZA.PR.3007
<hr/>		
1 side frosted glass + 1 side white		ZA.PR.1001
1 side blue frosted glass + 1 side white		ZA.PR.1002
1 side red frosted glass + 1 side white	alu	ZA.PR.1003
1 side green frosted glass + 1 side white	+ white	ZA.PR.1004
1 side blue transparent glass + 1 side white		ZA.PR.1005
1 side red transparent glass + 1 side white		ZA.PR.1006
1 side green transparent glass + 1 side white		ZA.PR.1007

230...240V - G9 - max. 1 x 60W
Wall or ceiling cover Za see p.140

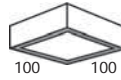
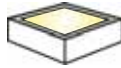
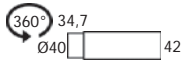
ZaZa IN



	colour	code
1 side frosted glass + 1 side alu		ZA.PR.3008
1 side blue frosted glass + 1 side alu		ZA.PR.3009
1 side red frosted glass + 1 side alu		ZA.PR.3010
1 side green frosted glass + 1 side alu	alu	ZA.PR.3011
1 side blue transparent glass + 1 side alu		ZA.PR.3012
1 side red transparent glass + 1 side alu		ZA.PR.3013
1 side green transparent glass + 1 side alu		ZA.PR.3014
<hr/>		
1 side frosted glass + 1 side white		ZA.PR.1008
1 side blue frosted glass + 1 side white		ZA.PR.1009
1 side red frosted glass + 1 side white	alu	ZA.PR.1010
1 side green frosted glass + 1 side white	+ white	ZA.PR.1011
1 side blue transparent glass + 1 side white		ZA.PR.1012
1 side red transparent glass + 1 side white		ZA.PR.1013
1 side green transparent glass + 1 side white		ZA.PR.1014

12V - GY6,35 - max. 1 x 50W
transfo. excluded
Wall or ceiling cover ZaZa see p.140

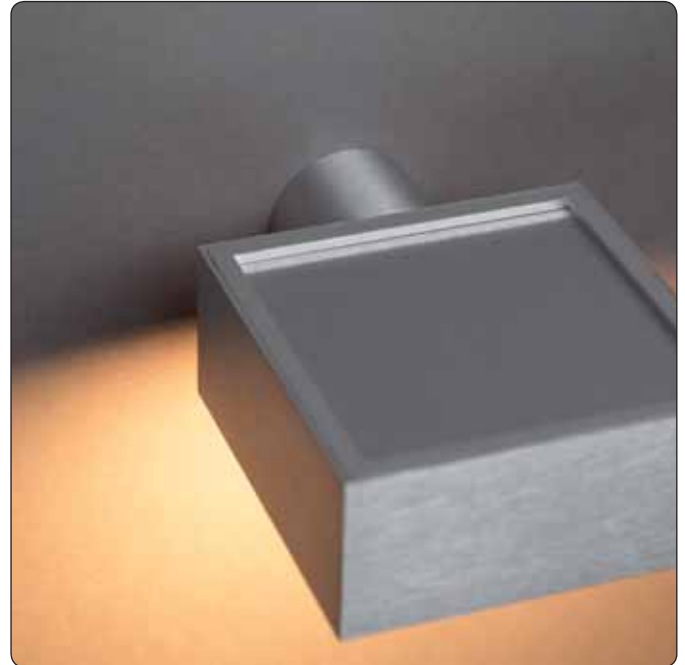
Ze IN



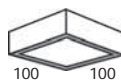
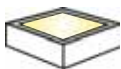
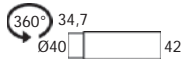
	colour	code
1 side frosted glass + 1 side alu		ZE.PR.3001
1 side blue frosted glass + 1 side alu		ZE.PR.3002
1 side red frosted glass + 1 side alu		ZE.PR.3003
1 side green frosted glass + 1 side alu	alu	ZE.PR.3004
1 side blue transparent glass + 1 side alu		ZE.PR.3005
1 side red transparent glass + 1 side alu		ZE.PR.3006
1 side green transparent glass + 1 side alu		ZE.PR.3007

1 side frosted glass + 1 side white		ZE.PR.1001
1 side blue frosted glass + 1 side white		ZE.PR.1002
1 side red frosted glass + 1 side white	alu	ZE.PR.1003
1 side green frosted glass + 1 side white	+ white	ZE.PR.1004
1 side blue transparent glass + 1 side white		ZE.PR.1005
1 side red transparent glass + 1 side white		ZE.PR.1006
1 side green transparent glass + 1 side white		ZE.PR.1007

230...240V - G9 - max. 1 x 60W
Wall or ceiling cover Ze see p.140



ZeZe IN



	colour	code
1 side frosted glass + 1 side alu		ZE.PR.3008
1 side blue frosted glass + 1 side alu		ZE.PR.3009
1 side red frosted glass + 1 side alu		ZE.PR.3010
1 side green frosted glass + 1 side alu	alu	ZE.PR.3011
1 side blue transparent glass + 1 side alu		ZE.PR.3012
1 side red transparent glass + 1 side alu		ZE.PR.3013
1 side green transparent glass + 1 side alu		ZE.PR.3014

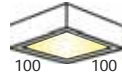
1 side frosted glass + 1 side white		ZE.PR.1008
1 side blue frosted glass + 1 side white		ZE.PR.1009
1 side red frosted glass + 1 side white	alu	ZE.PR.1010
1 side green frosted glass + 1 side white	+ white	ZE.PR.1011
1 side blue transparent glass + 1 side white		ZE.PR.1012
1 side red transparent glass + 1 side white		ZE.PR.1013
1 side green transparent glass + 1 side white		ZE.PR.1014

12V - GY6,35 - max. 1 x 50W
transfo. excluded
Wall or ceiling cover ZeZe see p.140



Zi IN

360° 34,7
Ø40 42



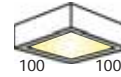
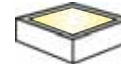
	colour	code
1 side frosted glass + 1 side frosted glass		21.PR.3801
1 side blue frosted glass + 1 side frosted glass		21.PR.3851
1 side red frosted glass + 1 side frosted glass		21.PR.3861
1 side green frosted glass + 1 side frosted glass	alu	21.PR.3871
1 side blue transparent glass + 1 side frosted glass		21.PR.3821
1 side red transparent glass + 1 side frosted glass		21.PR.3831
1 side green transparent glass + 1 side frosted glass		21.PR.3841

1 side frosted glass + 1 side frosted glass		21.PR.1801
1 side blue frosted glass + 1 side frosted glass		21.PR.1851
1 side red frosted glass + 1 side frosted glass	alu	21.PR.1861
1 side green frosted glass + 1 side frosted glass	+ white	21.PR.1871
1 side blue transparent glass + 1 side frosted glass		21.PR.1821
1 side red transparent glass + 1 side frosted glass		21.PR.1831
1 side green transparent glass + 1 side frosted glass		21.PR.1841

230...240V - G9 - max. 1 x 60W
Wall or ceiling cover Zi see p.140

ZiU IN

360° 34,7
Ø40 42

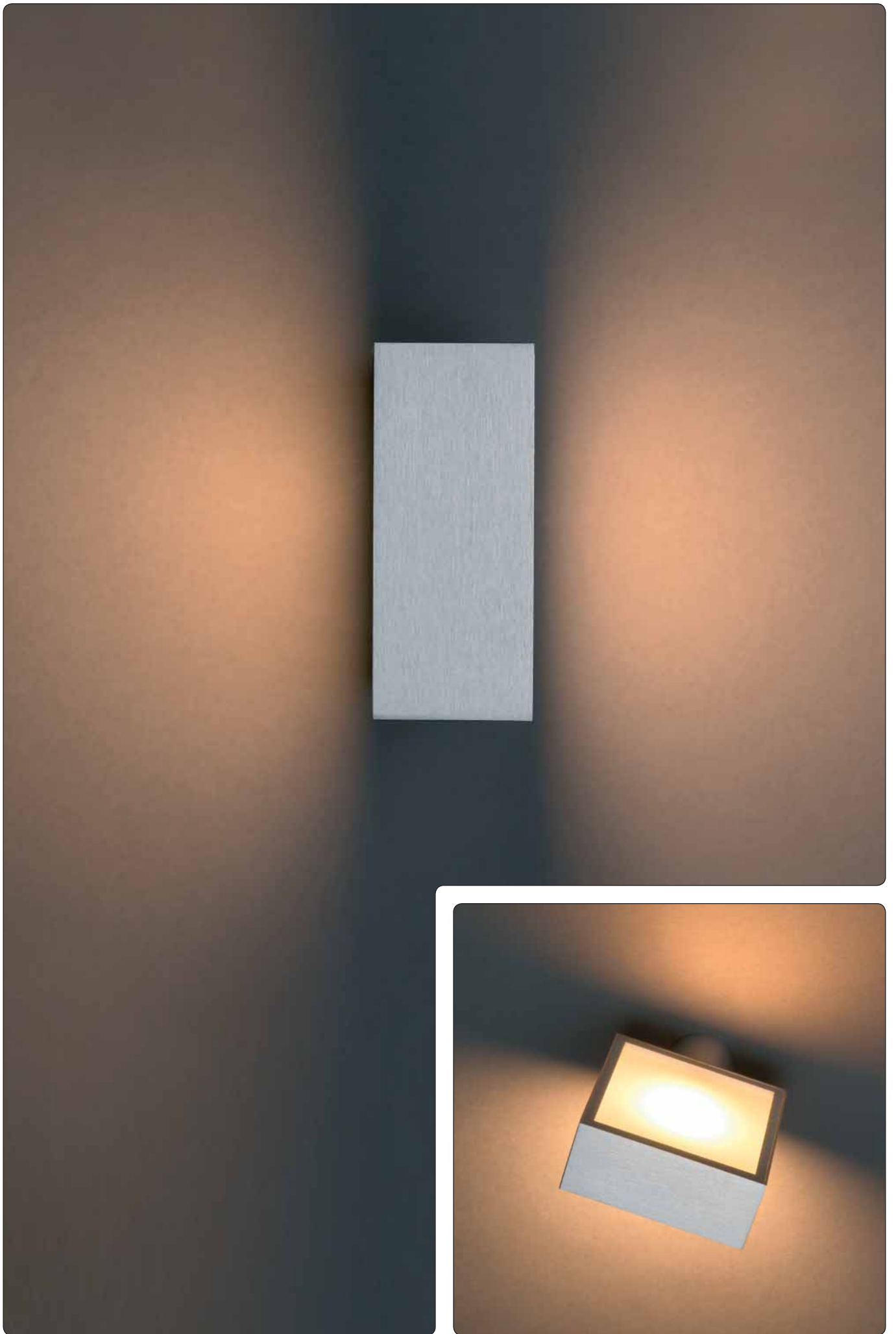


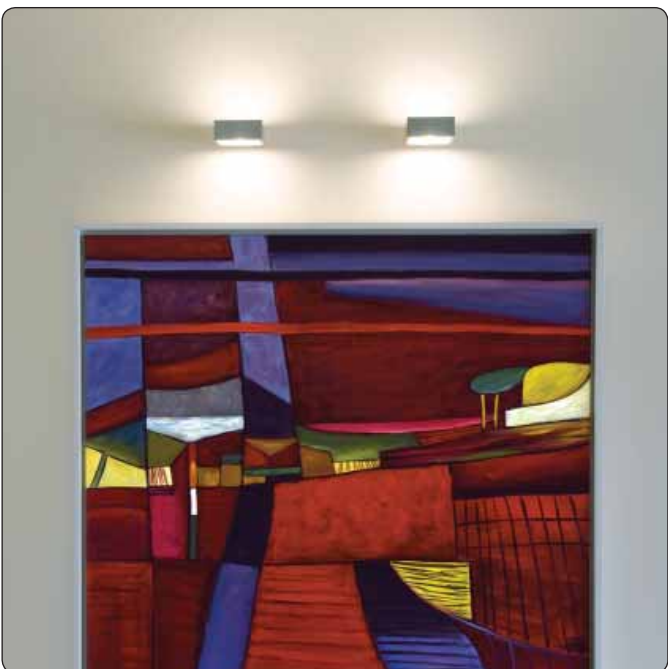
	colour	code
1 side frosted glass + 1 side frosted glass		21.PR.3811
1 side blue frosted glass + 1 side frosted glass		21.PR.3815
1 side red frosted glass + 1 side frosted glass		21.PR.3816
1 side green frosted glass + 1 side frosted glass	alu	21.PR.3817
1 side blue transparent glass + 1 side frosted glass		21.PR.3818
1 side red transparent glass + 1 side frosted glass		21.PR.3819
1 side green transparent glass + 1 side frosted glass		21.PR.3820

1 side frosted glass + 1 side frosted glass		21.PR.1811
1 side blue frosted glass + 1 side frosted glass		21.PR.1815
1 side red frosted glass + 1 side frosted glass	alu	21.PR.1816
1 side green frosted glass + 1 side frosted glass	+ white	21.PR.1817
1 side blue transparent glass + 1 side frosted glass		21.PR.1818
1 side red transparent glass + 1 side frosted glass		21.PR.1819
1 side green transparent glass + 1 side frosted glass		21.PR.1820

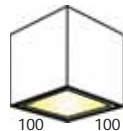
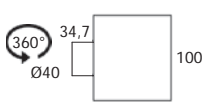
12V - GY6,35 - max. 1 x 50W
transfo. excluded
Wall or ceiling cover ZiU see p.140







Zo IN



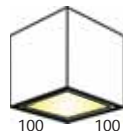
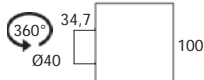
	colour	code
1 side frosted glass + 1 side frosted glass		21.PR.3901
1 side blue frosted glass + 1 side frosted glass		21.PR.3951
1 side red frosted glass + 1 side frosted glass		21.PR.3961
1 side green frosted glass + 1 side frosted glass	alu	21.PR.3971
1 side blue transparent glass + 1 side frosted glass		21.PR.3921
1 side red transparent glass + 1 side frosted glass		21.PR.3931
1 side green transparent glass + 1 side frosted glass		21.PR.3941

1 side frosted glass + 1 side frosted glass		21.PR.1901
1 side blue frosted glass + 1 side frosted glass		21.PR.1951
1 side red frosted glass + 1 side frosted glass	alu	21.PR.1961
1 side green frosted glass + 1 side frosted glass	+	21.PR.1971
1 side blue transparent glass + 1 side frosted glass	white	21.PR.1921
1 side red transparent glass + 1 side frosted glass		21.PR.1931
1 side green transparent glass + 1 side frosted glass		21.PR.1941

230...240V - G9 - max. 1 x 60W
 Wall or ceiling cover Zo see p.140



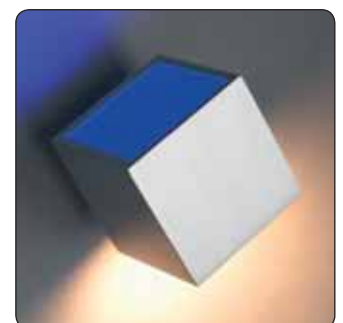
ZoZo IN



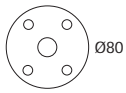
	colour	code
1 side frosted glass + 1 side frosted glass		21.PR.3911
1 side blue frosted glass + 1 side frosted glass		21.PR.3915
1 side red frosted glass + 1 side frosted glass		21.PR.3916
1 side green frosted glass + 1 side frosted glass	alu	21.PR.3917
1 side blue transparent glass + 1 side frosted glass		21.PR.3918
1 side red transparent glass + 1 side frosted glass		21.PR.3919
1 side green transparent glass + 1 side frosted glass		21.PR.3920

1 side frosted glass + 1 side frosted glass		21.PR.1911
1 side blue frosted glass + 1 side frosted glass		21.PR.1915
1 side red frosted glass + 1 side frosted glass	alu	21.PR.1916
1 side green frosted glass + 1 side frosted glass	+	21.PR.1917
1 side blue transparent glass + 1 side frosted glass	white	21.PR.1918
1 side red transparent glass + 1 side frosted glass		21.PR.1919
1 side green transparent glass + 1 side frosted glass		21.PR.1920

12V - GY6,35 - max. 1 x 50W
 transfo. excluded
 Wall or ceiling cover ZoZo see p.140



Cover Z...



Ø80

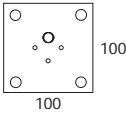
wall or ceiling cover round IN

colour

code

alu

21.AC.3200



100

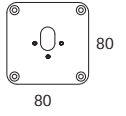
wall or ceiling cover square IN

alu

21.AC.3201

white

21.AC.5202



80

wall or ceiling cover square rounded IN

alu

AC.DE.3005

80



2Save
p. 142 - 143



**Ceiling cover
Code 1 IN**
p. 149



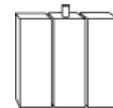
Code 2 IN
p. 150 - 155



Code 1 IN
p. 144 - 149



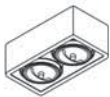
Supplement
p. 244



Megatempter
p. 156 - 161



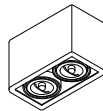
Push-UP
p. 162 - 169



R 111-UP
p. 190 - 193



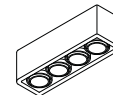
R 110-UP
p. 188 - 189



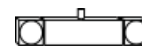
R 70-UP
p. 186 - 187



R 07-UP
p. 184 - 185



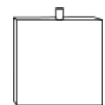
R 5(1-2-4) UP
p. 170 - 183



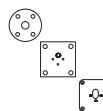
Spacy
p. 194 - 197



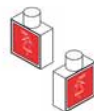
Supplement
p. 244



Tempter
p. 198 - 205



Cover Z...
p. 207



Zi C + Picto
p. 206 - 207




Ze C + Picto
p. 206 - 207



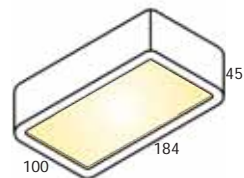
Zop IN
p. 208 - 209





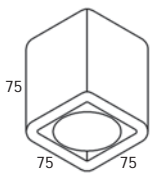
white diffuser glass	colour	code
	alu	SA.PL.3012
	black	SA.PL.2012
	white	SA.PL.1012
	chrome	SA.PL.9012
	gold	SA.PL.8012
230...240V - GX 53 - 2 x Micro lynx F or Micro lynx LED 		

2Save






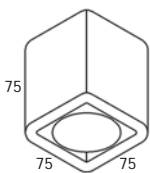
Code 1 IN - 230V




colour	code
alu	CO.DE.3001
black	CO.DE.2001
white	CO.DE.1001
chrome	CO.DE.9001
gold	CO.DE.8001

230...240V - GU 10 - QPAR 16 - max. 1 x 50W 
Ceiling cover Code 1 see p.149

Code 1 IN - 12V



colour	code
alu	CO.DE.3121
black	CO.DE.2121
white	CO.DE.1121
chrome	CO.DE.9121
gold	CO.DE.8121

12V - GU 5,3 - QR-CBC51 - max. 1 x 50W 
 (no cool-beam, only alu reflector)
transfo excluded
Ceiling cover Code 1 see p.149



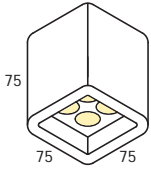
Cold white

colour	code	code	code
alu + grey*	CO.DE.3106/ N	CO.DE.3106/ M	CO.DE.3106/ W
black + grey*	CO.DE.2106/ N	CO.DE.2106/ M	CO.DE.2106/ W
white + grey*	CO.DE.1106/ N	CO.DE.1106/ M	CO.DE.1106/ W
chrome + grey*	CO.DE.9106/ N	CO.DE.9106/ M	CO.DE.9106/ W
gold + grey*	CO.DE.8106/ N	CO.DE.8106/ M	CO.DE.8106/ W

100...240V - Poweredled - 4 x 1W
power supply & poweredled included
Ceiling cover Code 1 see p.149
 * LED-holder

N = Narrow beam: ± 10°
M = Medium beam: ± 25°
W = Wide beam: ± 40°

Code 1 IN - LED



Warm white

colour	code	code	code
alu + grey*	CO.DE.3105/ N	CO.DE.3105/ M	CO.DE.3105/ W
black + grey*	CO.DE.2105/ N	CO.DE.2105/ M	CO.DE.2105/ W
white + grey*	CO.DE.1105/ N	CO.DE.1105/ M	CO.DE.1105/ W
chrome + grey*	CO.DE.9105/ N	CO.DE.9105/ M	CO.DE.9105/ W
gold + grey*	CO.DE.8105/ N	CO.DE.8105/ M	CO.DE.8105/ W

100...240V - Poweredled - 4 x 1W
power supply & poweredled included
Ceiling cover Code 1 see p.149
 * LED-holder

N = Narrow beam: ± 10°
M = Medium beam: ± 25°
W = Wide beam: ± 40°





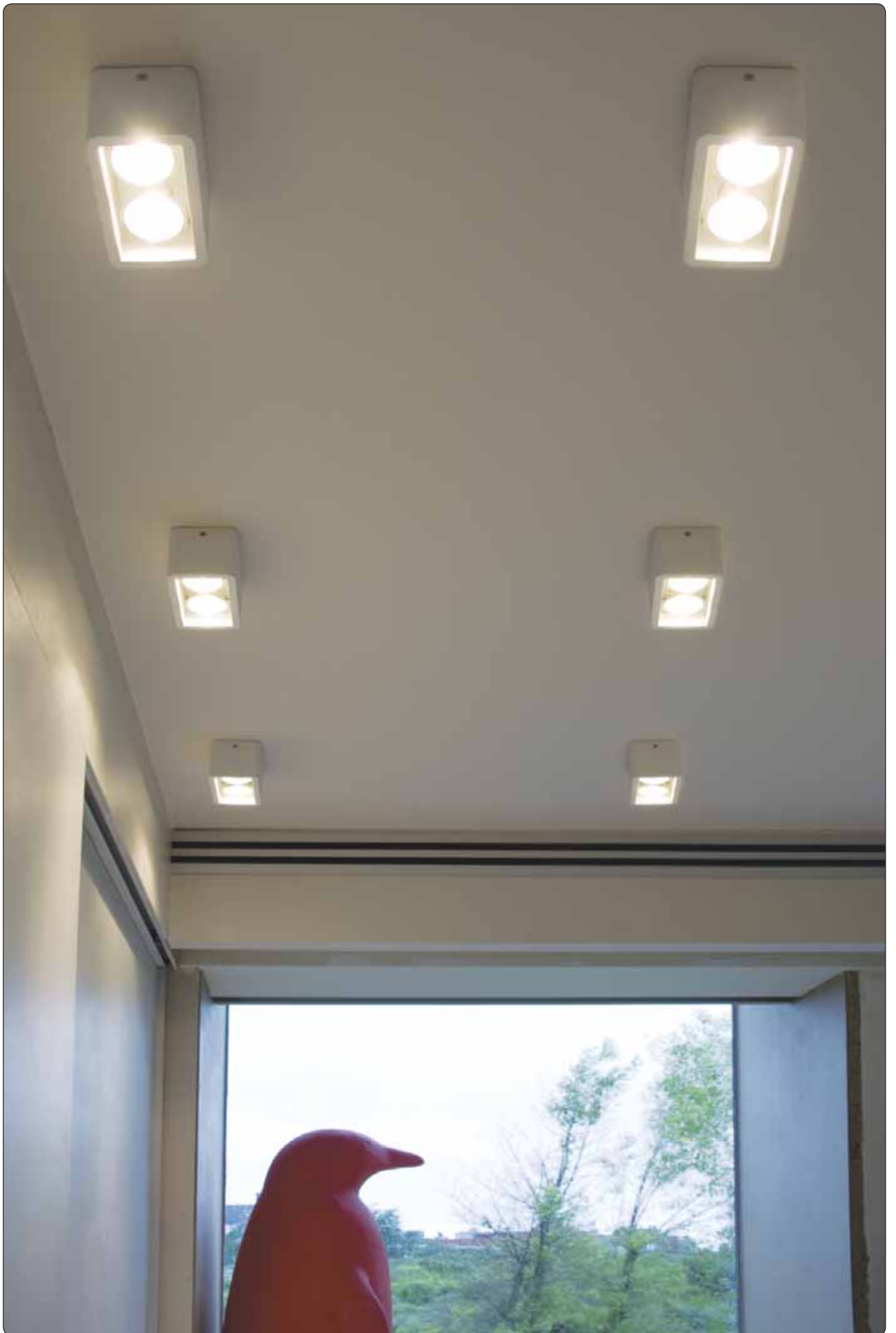


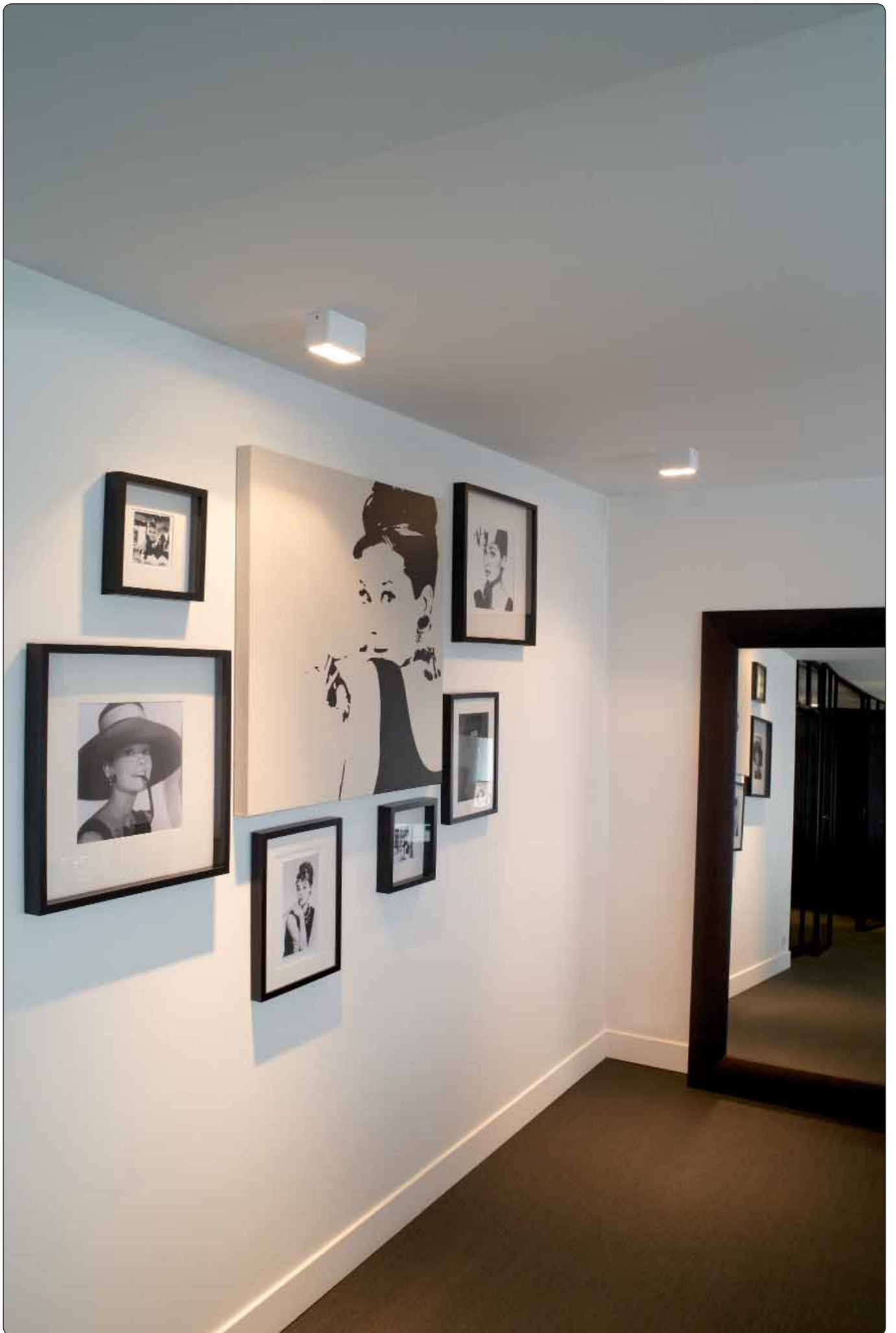


**Ceiling cover
Code 1 IN**

colour	code
alu	AC.DE.3010
black	AC.DE.2010
white	AC.DE.1010
chrome	AC.DE.9010
gold	AC.DE.8010

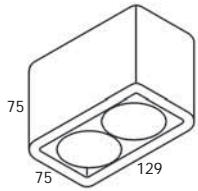
ceiling cover Code 1 IN







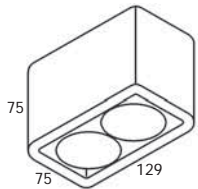
Code 2 IN - 230V



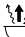
colour	code
alu	CO.DE.3002
black	CO.DE.2002
white	CO.DE.1002
chrome	CO.DE.9002
gold	CO.DE.8002

230...240V - GU 10 - OPAR 16 - max. 2 x 50W 

Code 2 IN - 12V



colour	code
alu	CO.DE.3122
black	CO.DE.2122
white	CO.DE.1122
chrome	CO.DE.9122
gold	CO.DE.8122

12V - GU 5,3 - QR-CBC51 - max. 2 x 50W 
(no cool-beam, only alu reflector)
transfo. excluded







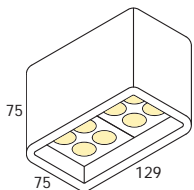
Cold white

colour	code	code	code
alu + grey*	CO.DE.3208/ N	CO.DE.3208/ M	CO.DE.3208/ W
black + grey*	CO.DE.2208/ N	CO.DE.2208/ M	CO.DE.2208/ W
white + grey*	CO.DE.1208/ N	CO.DE.1208/ M	CO.DE.1208/ W
chrome + grey*	CO.DE.9208/ N	CO.DE.9208/ M	CO.DE.9208/ W
gold + grey*	CO.DE.8208/ N	CO.DE.8208/ M	CO.DE.8208/ W

100...240V - Powered - 8 x 1W
power supply & powered included
 * LED-holder

N = Narrow beam: $\pm 10^\circ$
M = Medium beam: $\pm 25^\circ$
W = Wide beam: $\pm 40^\circ$

Code 2 IN - LED

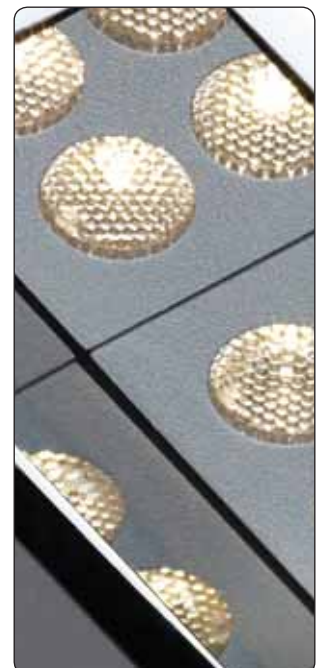


Warm white

colour	code	code	code
alu + grey*	CO.DE.3207/ N	CO.DE.3207/ M	CO.DE.3207/ W
black + grey*	CO.DE.2207/ N	CO.DE.2207/ M	CO.DE.2207/ W
white + grey*	CO.DE.1207/ N	CO.DE.1207/ M	CO.DE.1207/ W
chrome + grey*	CO.DE.9207/ N	CO.DE.9207/ M	CO.DE.9207/ W
gold + grey*	CO.DE.8207/ N	CO.DE.8207/ M	CO.DE.8207/ W

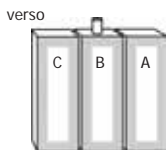
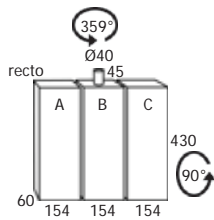
100...240V - Powered - 8 x 1W
power supply & powered included
 * LED-holder

N = Narrow beam: $\pm 10^\circ$
M = Medium beam: $\pm 25^\circ$
W = Wide beam: $\pm 40^\circ$





Megatemppler 14



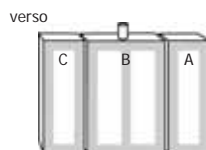
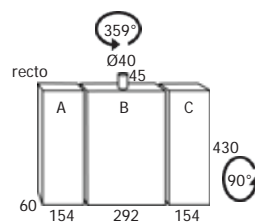
	A	B	C		C	B	A	colour	code
recto	w	w	w	verso	w	w	w	ano	ME.GA.1401
recto	w	w	w	verso	r	r	r		ME.GA.1402
recto	w	w	w	verso	b	b	b		ME.GA.1403
w = white / r = red / b = blue									
recto	r	r	r	verso	w	w	w	ano	ME.GA.1404
recto	b	b	b	verso	w	w	w		ME.GA.1405
recto	r	b	r	verso	w	w	w		ME.GA.1410
recto	b	r	b	verso	w	w	w		ME.GA.1411
w = white / r = red / b = blue									
recto	w	r	w	verso	r	w	r	ano	ME.GA.1406
recto	w	b	w	verso	b	w	b		ME.GA.1407
recto	r	w	r	verso	r	w	r		ME.GA.1408
recto	b	w	b	verso	b	w	b		ME.GA.1409
w = white / r = red / b = blue									

230...240V - 2G11 - 3 x TCL 24W gear included

(other colours see p.244)



Megatempter 28



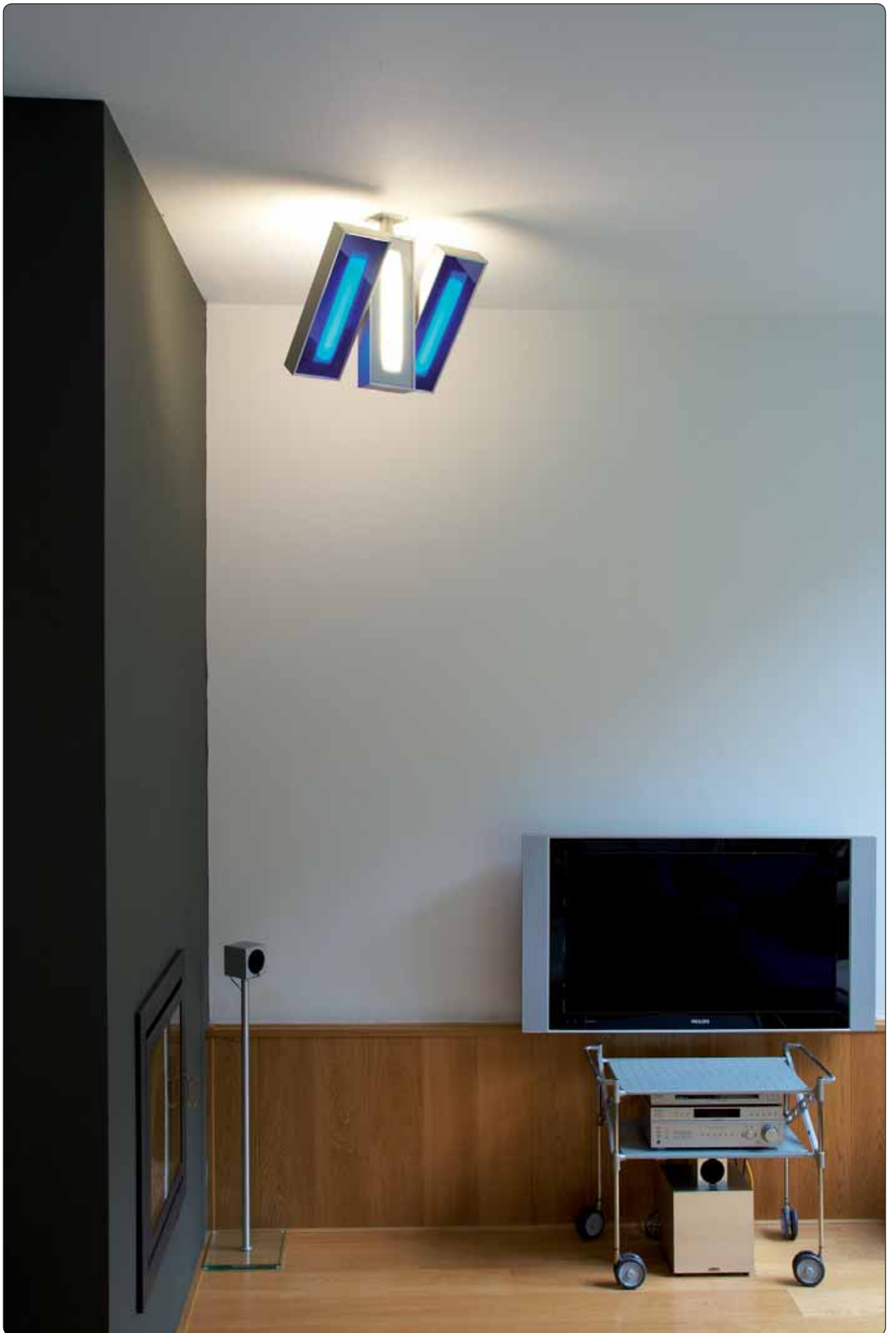
ECO

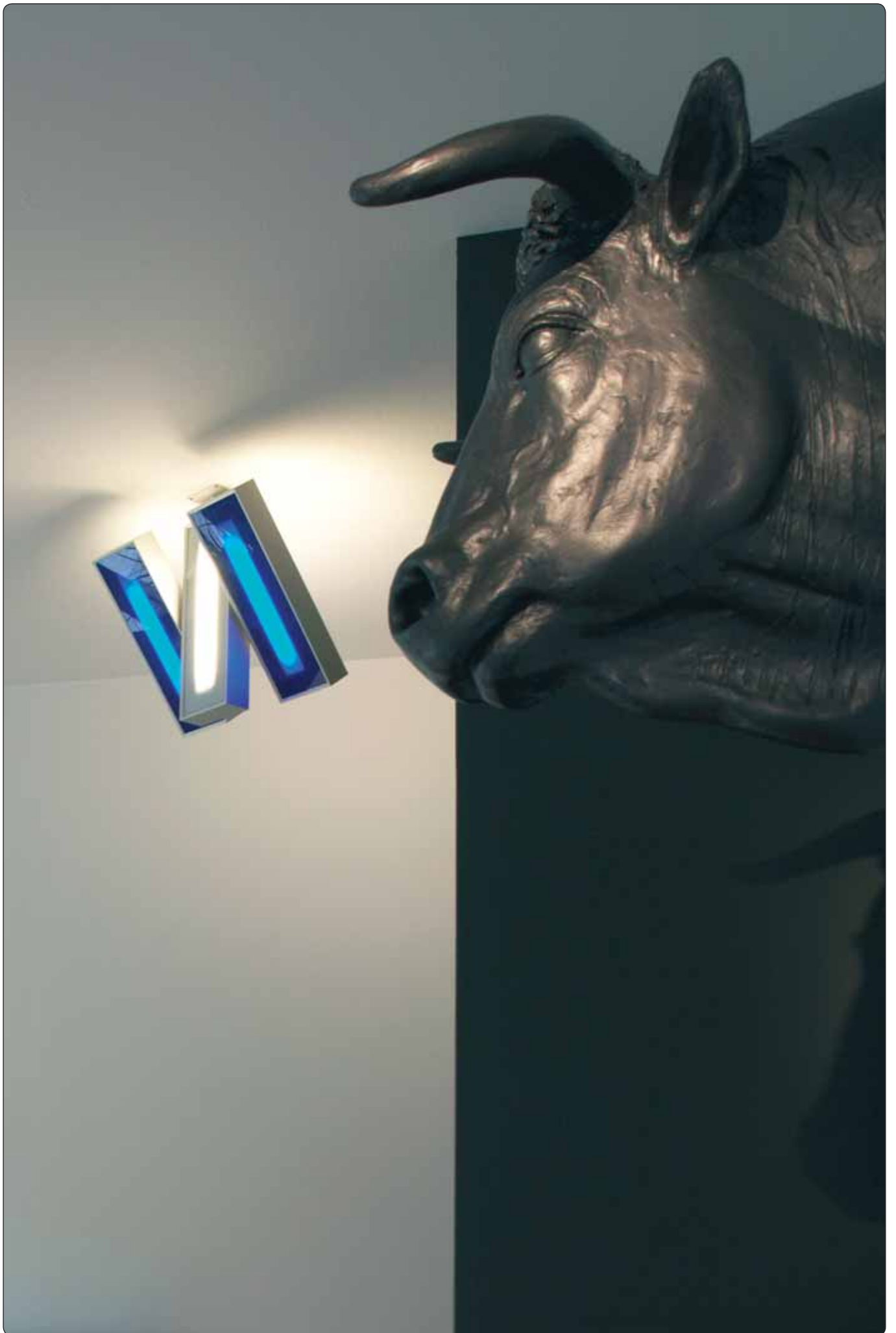


	A	B	C		C	B	A	colour	code
recto	w	w	w	verso	w	w	w	ano	ME.GA.2801
recto	w	w	w	verso	r	r	r		ME.GA.2802
recto	w	w	w	verso	b	b	b		ME.GA.2803
w = white / r = red / b = blue									
recto	r	r	r	verso	w	w	w	ano	ME.GA.2804
recto	b	b	b	verso	w	w	w		ME.GA.2805
recto	r	b	r	verso	w	w	w		ME.GA.2810
recto	b	r	b	verso	w	w	w		ME.GA.2811
w = white / r = red / b = blue									
recto	w	r	w	verso	r	w	r	ano	ME.GA.2806
recto	w	b	w	verso	b	w	b		ME.GA.2807
recto	r	w	r	verso	r	w	r		ME.GA.2808
recto	b	w	b	verso	b	w	b		ME.GA.2809
w = white / r = red / b = blue									

230...240V - 2G11 - 4 x TCL 24W gear included

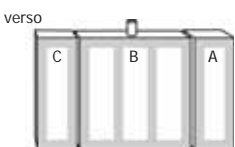
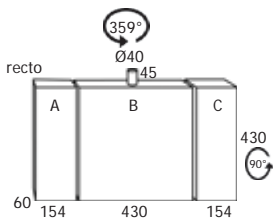
(other colours see p.244)







Megatemppter 42



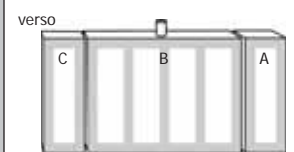
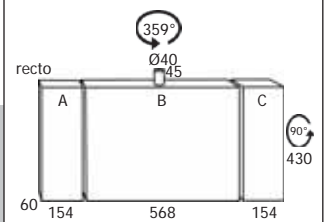
	A	B	C		C	B	A	colour	code
recto	w	w	w	verso	w	w	w	ano	ME.GA.4201
recto	w	w	w	verso	r	r	r		ME.GA.4202
recto	w	w	w	verso	b	b	b		ME.GA.4203
w = white / r = red / b = blue									
recto	r	r	r	verso	w	w	w	ano	ME.GA.4204
recto	b	b	b	verso	w	w	w		ME.GA.4205
recto	r	b	r	verso	w	w	w		ME.GA.4210
recto	b	r	b	verso	w	w	w		ME.GA.4211
w = white / r = red / b = blue									
recto	w	r	w	verso	r	w	r	ano	ME.GA.4206
recto	w	b	w	verso	b	w	b		ME.GA.4207
recto	r	w	r	verso	r	w	r		ME.GA.4208
recto	b	w	b	verso	b	w	b		ME.GA.4209
w = white / r = red / b = blue									

230...240V - 2G11 - 5 x TCL 24W gear included

(other colours see p.244)



Megatempter 56



ECO



	A	B	C		C	B	A	colour	code	
	recto	w	w	w	verso	w	w	w	ano	ME.GA.5601
	recto	w	w	w	verso	r	r	r		ME.GA.5602
w = white / r = red / b = blue	recto	w	w	w	verso	b	b	b		ME.GA.5603

	recto	r	r	r	verso	w	w	w	ano	ME.GA.5604
	recto	b	b	b	verso	w	w	w		ME.GA.5605
w = white / r = red / b = blue	recto	r	b	r	verso	w	w	w		ME.GA.5610
	recto	b	r	b	verso	w	w	w		ME.GA.5611

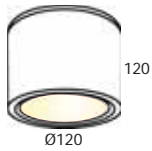
	recto	w	r	w	verso	r	w	r	ano	ME.GA.5606
	recto	w	b	w	verso	b	w	b		ME.GA.5607
w = white / r = red / b = blue	recto	r	w	r	verso	r	w	r		ME.GA.5608
	recto	b	w	b	verso	b	w	b		ME.GA.5609

230...240V - 2G11 - 6 x TCL 24W gear included

(other colours see p.244)




Push-UP L IN QR111 T

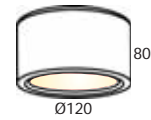


	colour	code
without glass *		21.PL.3393
transparent glass		21.PL.3303
blue transparent glass	alu	21.PL.3353
red transparent glass		21.PL.3363
green transparent glass		21.PL.3373
frosted glass		21.PL.3383

	colour	code
without glass *		21.PL.1393
transparent glass		21.PL.1303
blue transparent glass	alu	21.PL.1353
red transparent glass	+ white	21.PL.1363
green transparent glass		21.PL.1373
frosted glass		21.PL.1383


230...240V - G53 - QR111 - max. 1 x 50W 
transfo. included
 L = large H. 120mm.
 * IP20

Push-UP S IN QR111



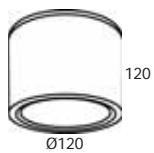
	colour	code
without glass *		21.PL.3395
transparent glass		21.PL.3305
blue transparent glass	alu	21.PL.3355
red transparent glass		21.PL.3365
green transparent glass		21.PL.3375
frosted glass		21.PL.3385

	colour	code
without glass *		21.PL.1395
transparent glass		21.PL.1305
blue transparent glass	alu	21.PL.1355
red transparent glass	+ white	21.PL.1365
green transparent glass		21.PL.1375
frosted glass		21.PL.1385

12V - G53 - QR111 - max. 1 x 50W 
transfo. excluded
 S = small H. 80mm.
 * IP20



Push-UP L IN ES111



without glass

colour

alu

code

PU.PL.3105

without glass

alu + white

PU.PL.1105

230V...240V - Gu10 - Hi-spot ES111 - max. 1 x 75W
L = large H. 120mm.



Push-UP S IN ES111



without glass

colour

alu

code

PU.PL.3102

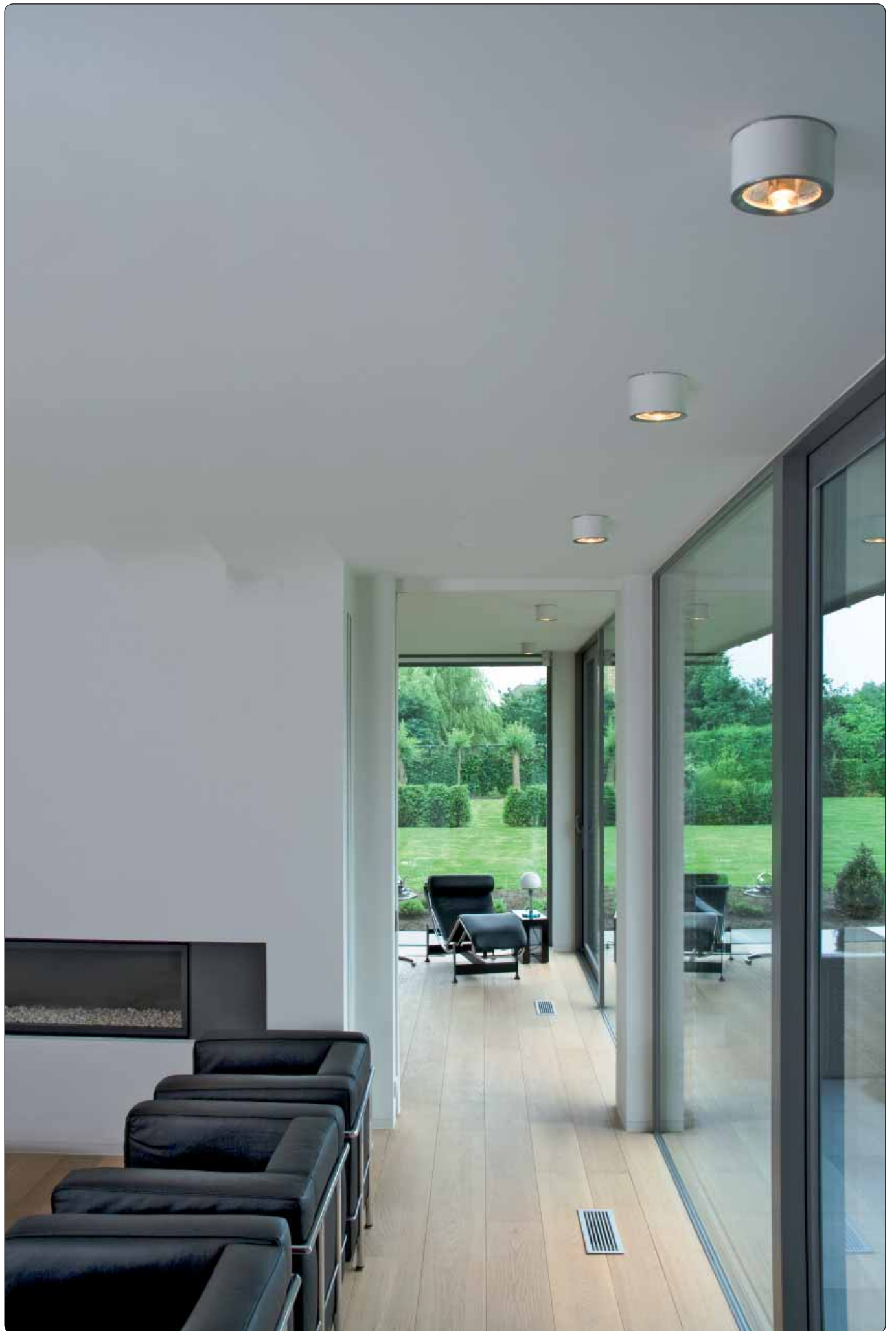
without glass

alu + white

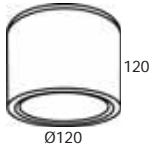
PU.PL.1102

230V...240V - Gu10 - Hi-spot ES111 - max. 1 x 75W
S = small H. 80mm.





Hi-Push-UP IN

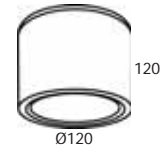


	colour	code
without glass	alu	21.PL.3106
without glass	alu + white	21.PL.1106

230V...240V - E27 - Hi-spot 95 - max. 1 x 100W



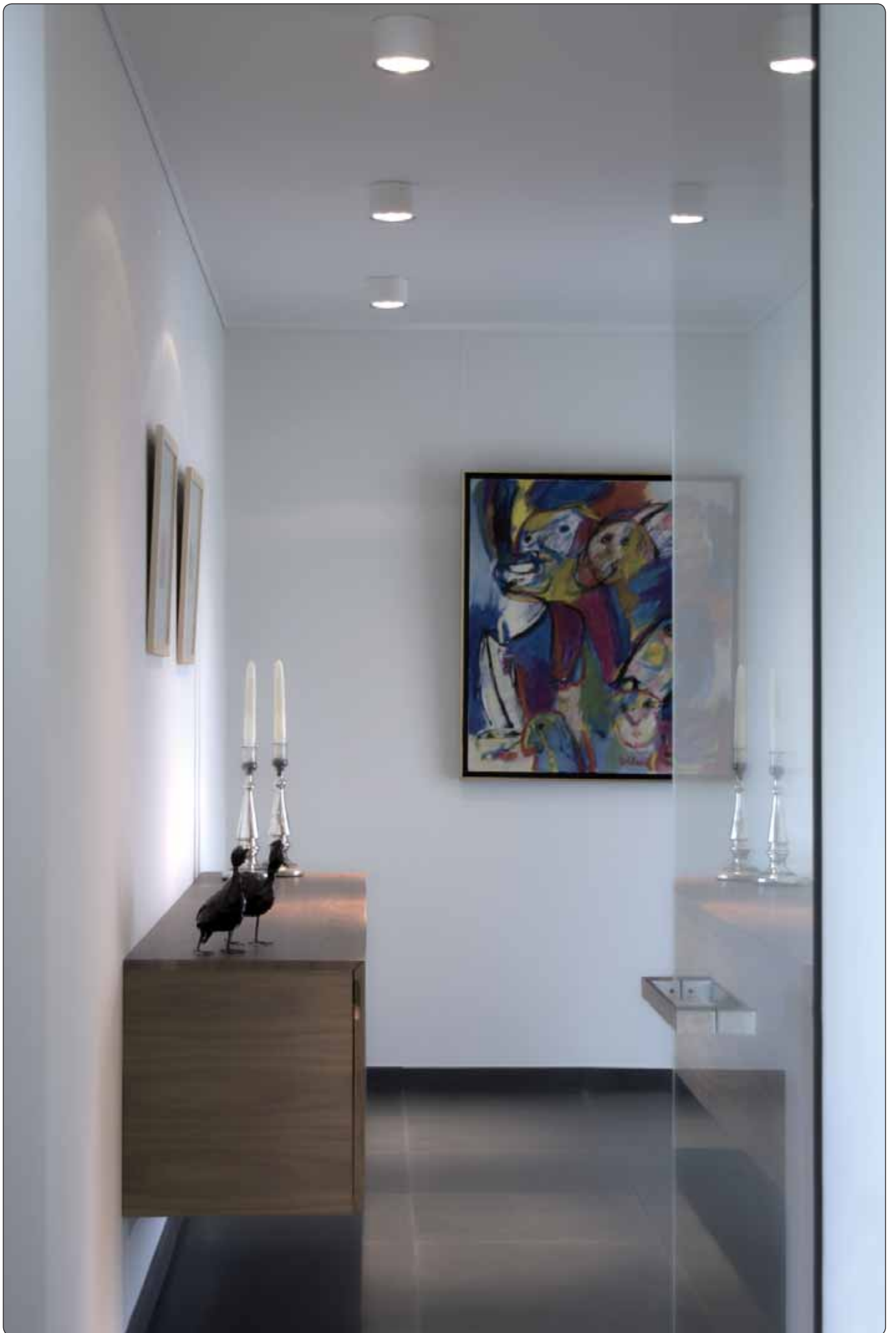
Push-UP IN CDM-R111



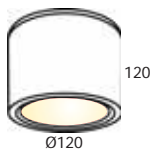
	colour	code
without glass	alu	PU.PL.3286
without glass	alu + white	PU.PL.1286

GX8,5 - CDM-R111 - max. 1 x 70W
HID/CDM gear excluded





Push-UP L IN LYNX



frosted glass

colour

alu


code

PU.PL.3183

frosted glass

alu + white

PU.PL.1183

230...240V - GX 53 - 1 x Micro lynx F or Micro lynx LED 
L = large H. 120mm.



Push-UP S IN LYNX



frosted glass

colour

alu

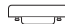
code

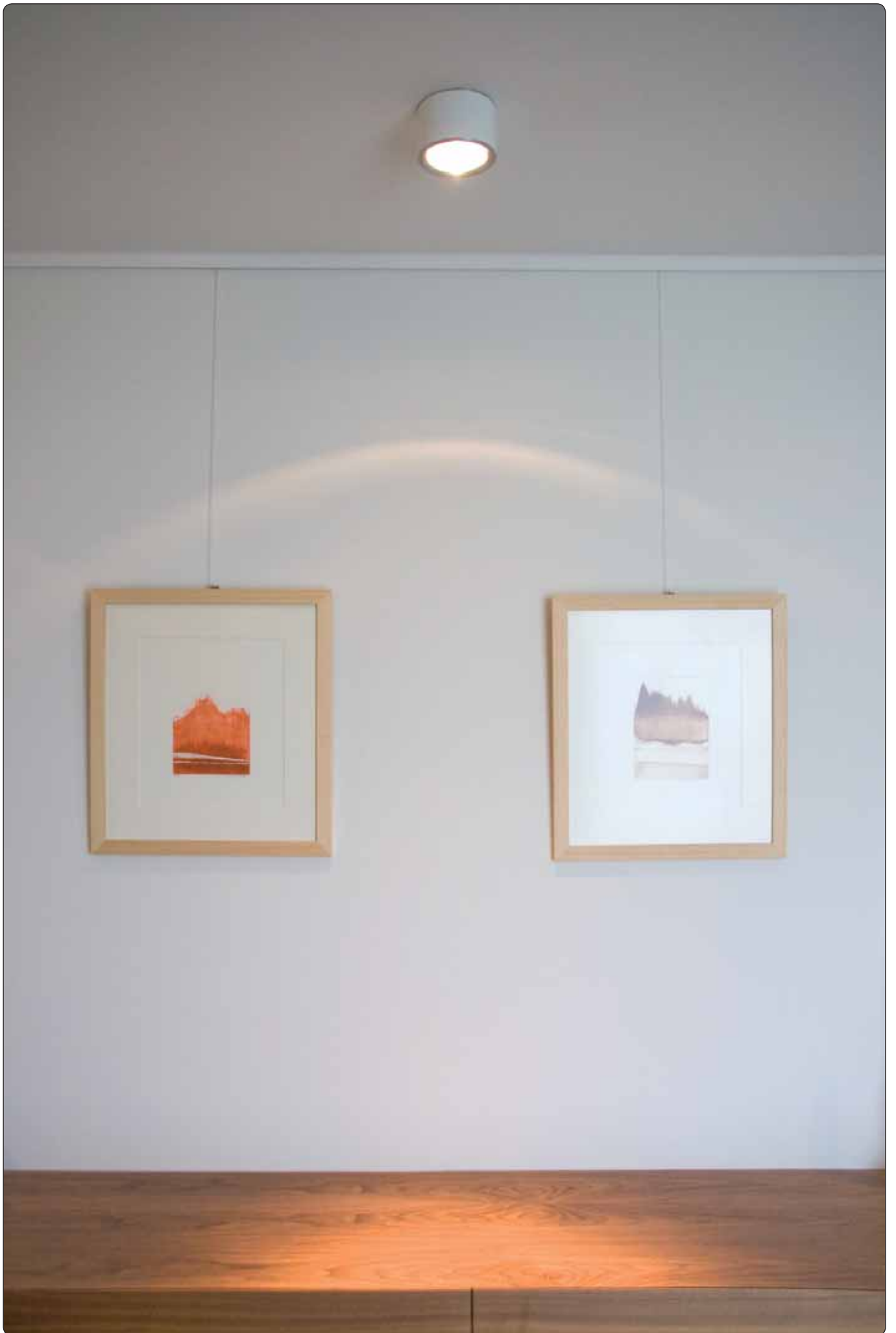
PU.PL.3182

frosted glass

alu + white

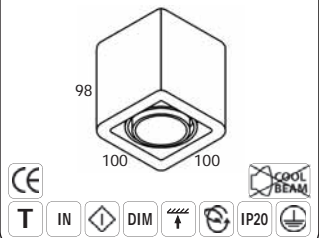
PU.PL.1182

230...240V - GX 53 - 1 x Micro lynx F or Micro lynx LED 
S = small H. 80mm.





R 51-UP



colour interior	colour exterior	colour ring	code
black	black	black	MR.UP.1222
black	black	white	MR.UP.1221
black	black	grey	MR.UP.1224
black	black	chrome	MR.UP.1229

black	white	black	MR.UP.1212
black	white	white	MR.UP.1211
black	white	grey	MR.UP.1214
black	white	chrome	MR.UP.1219

black	grey	black	MR.UP.1242
black	grey	white	MR.UP.1241
black	grey	grey	MR.UP.1244
black	grey	chrome	MR.UP.1249

white	black	black	MR.UP.1122
white	black	white	MR.UP.1121
white	black	grey	MR.UP.1124
white	black	chrome	MR.UP.1129

white	white	black	MR.UP.1112
white	white	white	MR.UP.1111
white	white	grey	MR.UP.1114
white	white	chrome	MR.UP.1119

white	grey	black	MR.UP.1142
white	grey	white	MR.UP.1141
white	grey	grey	MR.UP.1144
white	grey	chrome	MR.UP.1149

230...240V - GU 5,3 - QR-CBC51 - max. 1 x 35W
 (no cool-beam, only alu reflector)
transfo. included





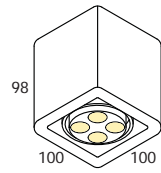
Cold white

colour interior	colour exterior	colour ring	code	code	code
black	black	black + black*	MU.CW.1222/ N	MU.CW.1222/ M	MU.CW.1222/ W
black	black	white + white*	MU.CW.1221/ N	MU.CW.1221/ M	MU.CW.1221/ W
black	black	grey + grey*	MU.CW.1224/ N	MU.CW.1224/ M	MU.CW.1224/ W
black	white	black + black*	MU.CW.1212/ N	MU.CW.1212/ M	MU.CW.1212/ W
black	white	white + white*	MU.CW.1211/ N	MU.CW.1211/ M	MU.CW.1211/ W
black	white	grey + grey*	MU.CW.1214/ N	MU.CW.1214/ M	MU.CW.1214/ W
black	grey	black + black*	MU.CW.1242/ N	MU.CW.1242/ M	MU.CW.1242/ W
black	grey	white + white*	MU.CW.1241/ N	MU.CW.1241/ M	MU.CW.1241/ W
black	grey	grey + grey*	MU.CW.1244/ N	MU.CW.1244/ M	MU.CW.1244/ W
white	black	black + black*	MU.CW.1122/ N	MU.CW.1122/ M	MU.CW.1122/ W
white	black	white + white*	MU.CW.1121/ N	MU.CW.1121/ M	MU.CW.1121/ W
white	black	grey + grey*	MU.CW.1124/ N	MU.CW.1124/ M	MU.CW.1124/ W
white	white	black + black*	MU.CW.1112/ N	MU.CW.1112/ M	MU.CW.1112/ W
white	white	white + white*	MU.CW.1111/ N	MU.CW.1111/ M	MU.CW.1111/ W
white	white	grey + grey*	MU.CW.1114/ N	MU.CW.1114/ M	MU.CW.1114/ W
white	grey	black + black*	MU.CW.1142/ N	MU.CW.1142/ M	MU.CW.1142/ W
white	grey	white + white*	MU.CW.1141/ N	MU.CW.1141/ M	MU.CW.1141/ W
white	grey	grey + grey*	MU.CW.1144/ N	MU.CW.1144/ M	MU.CW.1144/ W

100...240V - Powered - 4 x 1W
power supply & powered included
 * LED-holder

N = Narrow beam: $\pm 10^\circ$
M = Medium beam: $\pm 25^\circ$
W = Wide beam: $\pm 40^\circ$

R 51-UP LED



Warm white

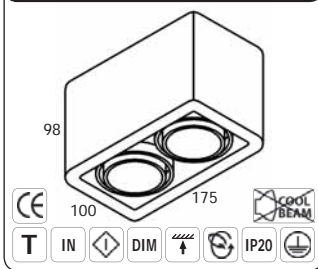
colour interior	colour exterior	colour ring	code	code	code
black	black	black + black*	MU.WW.1222/ N	MU.WW.1222/ M	MU.WW.1222/ W
black	black	white + white*	MU.WW.1221/ N	MU.WW.1221/ M	MU.WW.1221/ W
black	black	grey + grey*	MU.WW.1224/ N	MU.WW.1224/ M	MU.WW.1224/ W
black	white	black + black*	MU.WW.1212/ N	MU.WW.1212/ M	MU.WW.1212/ W
black	white	white + white*	MU.WW.1211/ N	MU.WW.1211/ M	MU.WW.1211/ W
black	white	grey + grey*	MU.WW.1214/ N	MU.WW.1214/ M	MU.WW.1214/ W
black	grey	black + black*	MU.WW.1242/ N	MU.WW.1242/ M	MU.WW.1242/ W
black	grey	white + white*	MU.WW.1241/ N	MU.WW.1241/ M	MU.WW.1241/ W
black	grey	grey + grey*	MU.WW.1244/ N	MU.WW.1244/ M	MU.WW.1244/ W
white	black	black + black*	MU.WW.1122/ N	MU.WW.1122/ M	MU.WW.1122/ W
white	black	white + white*	MU.WW.1121/ N	MU.WW.1121/ M	MU.WW.1121/ W
white	black	grey + grey*	MU.WW.1124/ N	MU.WW.1124/ M	MU.WW.1124/ W
white	white	black + black*	MU.WW.1112/ N	MU.WW.1112/ M	MU.WW.1112/ W
white	white	white + white*	MU.WW.1111/ N	MU.WW.1111/ M	MU.WW.1111/ W
white	white	grey + grey*	MU.WW.1114/ N	MU.WW.1114/ M	MU.WW.1114/ W
white	grey	black + black*	MU.WW.1142/ N	MU.WW.1142/ M	MU.WW.1142/ W
white	grey	white + white*	MU.WW.1141/ N	MU.WW.1141/ M	MU.WW.1141/ W
white	grey	grey + grey*	MU.WW.1144/ N	MU.WW.1144/ M	MU.WW.1144/ W

100...240V - Powered - 4 x 1W
power supply & powered included
 * LED-holder

N = Narrow beam: $\pm 10^\circ$
M = Medium beam: $\pm 25^\circ$
W = Wide beam: $\pm 40^\circ$



R 52-UP



colour interior	colour exterior	colour ring	code
black	black	black	MR.UP.2222
black	black	white	MR.UP.2221
black	black	grey	MR.UP.2224
black	black	chrome	MR.UP.2229

black	white	black	MR.UP.2212
black	white	white	MR.UP.2211
black	white	grey	MR.UP.2214
black	white	chrome	MR.UP.2219

black	grey	black	MR.UP.2242
black	grey	white	MR.UP.2241
black	grey	grey	MR.UP.2244
black	grey	chrome	MR.UP.2249

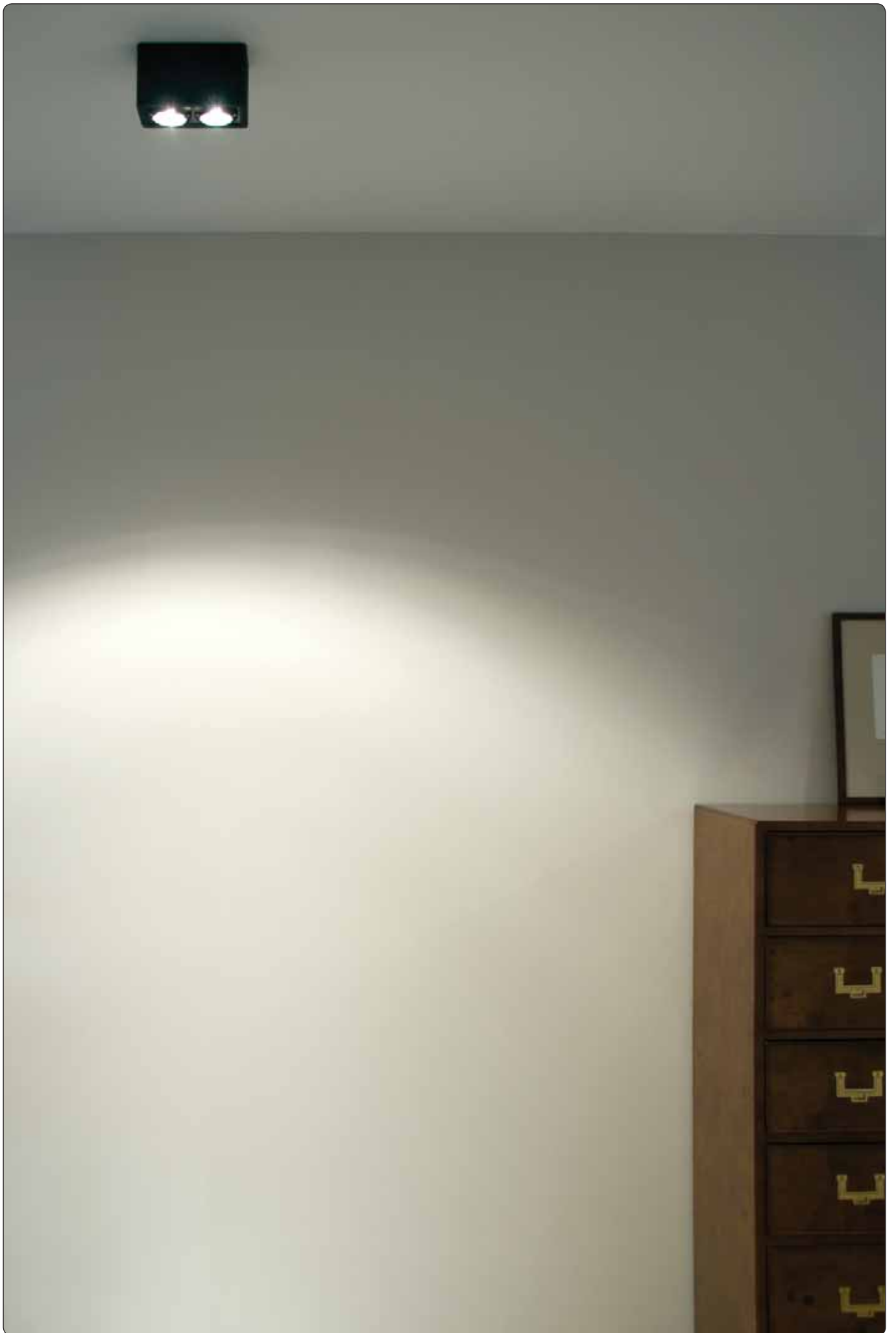
white	black	black	MR.UP.2122
white	black	white	MR.UP.2121
white	black	grey	MR.UP.2124
white	black	chrome	MR.UP.2129

white	white	black	MR.UP.2112
white	white	white	MR.UP.2111
white	white	grey	MR.UP.2114
white	white	chrome	MR.UP.2119

white	grey	black	MR.UP.2142
white	grey	white	MR.UP.2141
white	grey	grey	MR.UP.2144
white	grey	chrome	MR.UP.2149

230...240V - GU 5,3 - QR-CBC51 - max. 2 x 35W
 (no cool-beam, only alu reflector)
transfo. included





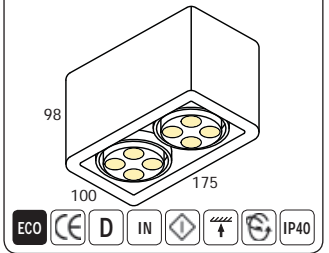
Cold white

colour interior	colour exterior	colour ring	code	code	code
black	black	black + black*	MU.CW.2222/ N	MU.CW.2222/ M	MU.CW.2222/ W
black	black	white + white*	MU.CW.2221/ N	MU.CW.2221/ M	MU.CW.2221/ W
black	black	grey + grey*	MU.CW.2224/ N	MU.CW.2224/ M	MU.CW.2224/ W
black	white	black + black*	MU.CW.2212/ N	MU.CW.2212/ M	MU.CW.2212/ W
black	white	white + white*	MU.CW.2211/ N	MU.CW.2211/ M	MU.CW.2211/ W
black	white	grey + grey*	MU.CW.2214/ N	MU.CW.2214/ M	MU.CW.2214/ W
black	grey	black + black*	MU.CW.2242/ N	MU.CW.2242/ M	MU.CW.2242/ W
black	grey	white + white*	MU.CW.2241/ N	MU.CW.2241/ M	MU.CW.2241/ W
black	grey	grey + grey*	MU.CW.2244/ N	MU.CW.2244/ M	MU.CW.2244/ W
white	black	black + black*	MU.CW.2122/ N	MU.CW.2122/ M	MU.CW.2122/ W
white	black	white + white*	MU.CW.2121/ N	MU.CW.2121/ M	MU.CW.2121/ W
white	black	grey + grey*	MU.CW.2124/ N	MU.CW.2124/ M	MU.CW.2124/ W
white	white	black + black*	MU.CW.2112/ N	MU.CW.2112/ M	MU.CW.2112/ W
white	white	white + white*	MU.CW.2111/ N	MU.CW.2111/ M	MU.CW.2111/ W
white	white	grey + grey*	MU.CW.2114/ N	MU.CW.2114/ M	MU.CW.2114/ W
white	grey	black + black*	MU.CW.2142/ N	MU.CW.2142/ M	MU.CW.2142/ W
white	grey	white + white*	MU.CW.2141/ N	MU.CW.2141/ M	MU.CW.2141/ W
white	grey	grey + grey*	MU.CW.2144/ N	MU.CW.2144/ M	MU.CW.2144/ W

100...240V - Powered - 8 x 1W
power supply & powered included
 * LED-holder

N = Narrow beam: ± 10°
M = Medium beam: ± 25°
W = Wide beam: ± 40°

R 52-UP LED



Warm white

colour interior	colour exterior	colour ring	code	code	code
black	black	black + black*	MU.WW.2222/ N	MU.WW.2222/ M	MU.WW.2222/ W
black	black	white + white*	MU.WW.2221/ N	MU.WW.2221/ M	MU.WW.2221/ W
black	black	grey + grey*	MU.WW.2224/ N	MU.WW.2224/ M	MU.WW.2224/ W
black	white	black + black*	MU.WW.2212/ N	MU.WW.2212/ M	MU.WW.2212/ W
black	white	white + white*	MU.WW.2211/ N	MU.WW.2211/ M	MU.WW.2211/ W
black	white	grey + grey*	MU.WW.2214/ N	MU.WW.2214/ M	MU.WW.2214/ W
black	grey	black + black*	MU.WW.2242/ N	MU.WW.2242/ M	MU.WW.2242/ W
black	grey	white + white*	MU.WW.2241/ N	MU.WW.2241/ M	MU.WW.2241/ W
black	grey	grey + grey*	MU.WW.2244/ N	MU.WW.2244/ M	MU.WW.2244/ W
white	black	black + black*	MU.WW.2122/ N	MU.WW.2122/ M	MU.WW.2122/ W
white	black	white + white*	MU.WW.2121/ N	MU.WW.2121/ M	MU.WW.2121/ W
white	black	grey + grey*	MU.WW.2124/ N	MU.WW.2124/ M	MU.WW.2124/ W
white	white	black + black*	MU.WW.2112/ N	MU.WW.2112/ M	MU.WW.2112/ W
white	white	white + white*	MU.WW.2111/ N	MU.WW.2111/ M	MU.WW.2111/ W
white	white	grey + grey*	MU.WW.2114/ N	MU.WW.2114/ M	MU.WW.2114/ W
white	grey	black + black*	MU.WW.2142/ N	MU.WW.2142/ M	MU.WW.2142/ W
white	grey	white + white*	MU.WW.2141/ N	MU.WW.2141/ M	MU.WW.2141/ W
white	grey	grey + grey*	MU.WW.2144/ N	MU.WW.2144/ M	MU.WW.2144/ W

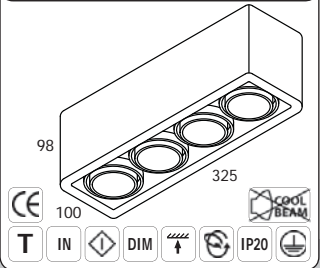
100...240V - Powered - 8 x 1W
power supply & powered included
 * LED-holder

N = Narrow beam: ± 10°
M = Medium beam: ± 25°
W = Wide beam: ± 40°





R 54-UP



colour interior	colour exterior	colour ring	code
black	black	black	MR.UP.4222
black	black	white	MR.UP.4221
black	black	grey	MR.UP.4224
black	black	chrome	MR.UP.4229

black	white	black	MR.UP.4212
black	white	white	MR.UP.4211
black	white	grey	MR.UP.4214
black	white	chrome	MR.UP.4219

black	grey	black	MR.UP.4242
black	grey	white	MR.UP.4241
black	grey	grey	MR.UP.4244
black	grey	chrome	MR.UP.4249

white	black	black	MR.UP.4122
white	black	white	MR.UP.4121
white	black	grey	MR.UP.4124
white	black	chrome	MR.UP.4129

white	white	black	MR.UP.4112
white	white	white	MR.UP.4111
white	white	grey	MR.UP.4114
white	white	chrome	MR.UP.4119

white	grey	black	MR.UP.4142
white	grey	white	MR.UP.4141
white	grey	grey	MR.UP.4144
white	grey	chrome	MR.UP.4149

230...240V - GU 5,3 - QR-CBC51 - max. 4 x 35W
 (no cool-beam, only alu reflector)
 transfo. included





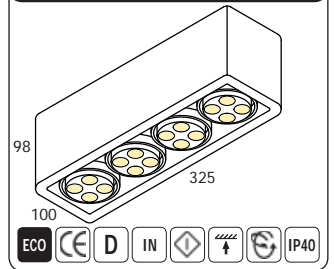
Cold white

colour interior	colour exterior	colour ring	code	code	code
black	black	black + black*	MU.CW.4222/ N	MU.CW.4222/ M	MU.CW.4222/ W
black	black	white + white*	MU.CW.4221/ N	MU.CW.4221/ M	MU.CW.4221/ W
black	black	grey + grey*	MU.CW.4224/ N	MU.CW.4224/ M	MU.CW.4224/ W
black	white	black + black*	MU.CW.4212/ N	MU.CW.4212/ M	MU.CW.4212/ W
black	white	white + white*	MU.CW.4211/ N	MU.CW.4211/ M	MU.CW.4211/ W
black	white	grey + grey*	MU.CW.4214/ N	MU.CW.4214/ M	MU.CW.4214/ W
black	grey	black + black*	MU.CW.4242/ N	MU.CW.4242/ M	MU.CW.4242/ W
black	grey	white + white*	MU.CW.4241/ N	MU.CW.4241/ M	MU.CW.4241/ W
black	grey	grey + grey*	MU.CW.4244/ N	MU.CW.4244/ M	MU.CW.4244/ W
white	black	black + black*	MU.CW.4122/ N	MU.CW.4122/ M	MU.CW.4122/ W
white	black	white + white*	MU.CW.4121/ N	MU.CW.4121/ M	MU.CW.4121/ W
white	black	grey + grey*	MU.CW.4124/ N	MU.CW.4124/ M	MU.CW.4124/ W
white	white	black + black*	MU.CW.4112/ N	MU.CW.4112/ M	MU.CW.4112/ W
white	white	white + white*	MU.CW.4111/ N	MU.CW.4111/ M	MU.CW.4111/ W
white	white	grey + grey*	MU.CW.4114/ N	MU.CW.4114/ M	MU.CW.4114/ W
white	grey	black + black*	MU.CW.4142/ N	MU.CW.4142/ M	MU.CW.4142/ W
white	grey	white + white*	MU.CW.4141/ N	MU.CW.4141/ M	MU.CW.4141/ W
white	grey	grey + grey*	MU.CW.4144/ N	MU.CW.4144/ M	MU.CW.4144/ W

100...240V - Powered - 16 x 1W
power supply & powered included
 * LED-holder

N = Narrow beam: ± 10°
M = Medium beam: ± 25°
W = Wide beam: ± 40°

R 54-UP LED



Warm white

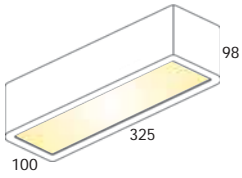
colour interior	colour exterior	colour ring	code	code	code
black	black	black + black*	MU.WW.4222/ N	MU.WW.4222/ M	MU.WW.4222/ W
black	black	white + white*	MU.WW.4221/ N	MU.WW.4221/ M	MU.WW.4221/ W
black	black	grey + grey*	MU.WW.4224/ N	MU.WW.4224/ M	MU.WW.4224/ W
black	white	black + black*	MU.WW.4212/ N	MU.WW.4212/ M	MU.WW.4212/ W
black	white	white + white*	MU.WW.4211/ N	MU.WW.4211/ M	MU.WW.4211/ W
black	white	grey + grey*	MU.WW.4214/ N	MU.WW.4214/ M	MU.WW.4214/ W
black	grey	black + black*	MU.WW.4242/ N	MU.WW.4242/ M	MU.WW.4242/ W
black	grey	white + white*	MU.WW.4241/ N	MU.WW.4241/ M	MU.WW.4241/ W
black	grey	grey + grey*	MU.WW.4244/ N	MU.WW.4244/ M	MU.WW.4244/ W
white	black	black + black*	MU.WW.4122/ N	MU.WW.4122/ M	MU.WW.4122/ W
white	black	white + white*	MU.WW.4121/ N	MU.WW.4121/ M	MU.WW.4121/ W
white	black	grey + grey*	MU.WW.4124/ N	MU.WW.4124/ M	MU.WW.4124/ W
white	white	black + black*	MU.WW.4112/ N	MU.WW.4112/ M	MU.WW.4112/ W
white	white	white + white*	MU.WW.4111/ N	MU.WW.4111/ M	MU.WW.4111/ W
white	white	grey + grey*	MU.WW.4114/ N	MU.WW.4114/ M	MU.WW.4114/ W
white	grey	black + black*	MU.WW.4142/ N	MU.WW.4142/ M	MU.WW.4142/ W
white	grey	white + white*	MU.WW.4141/ N	MU.WW.4141/ M	MU.WW.4141/ W
white	grey	grey + grey*	MU.WW.4144/ N	MU.WW.4144/ M	MU.WW.4144/ W

100...240V - Powered - 16 x 1W
power supply & powered included
 * LED-holder

N = Narrow beam: ± 10°
M = Medium beam: ± 25°
W = Wide beam: ± 40°



R 54 Fluo-UP



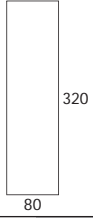
PMMA white
(other colours see p. 183)

colour	code
black	FL.UP.4222
white	FL.UP.4111
grey	FL.UP.4444

230...240V - 2G11 - 2 x TCL 18W
gear included



**R 54 Fluo
PMMA supplement**



colour	code
red	FL.AC.0001
blue	FL.AC.0002
green	FL.AC.0003
orange	FL.AC.0004
fuchsia	FL.AC.0005



colour interior	colour exterior	colour ring	code
black	black	black	AR.UP.2222
black	black	white	AR.UP.2221
black	black	grey	AR.UP.2224
black	black	chrome	AR.UP.2229

black	white	black	AR.UP.2212
black	white	white	AR.UP.2211
black	white	grey	AR.UP.2214
black	white	chrome	AR.UP.2219

black	grey	black	AR.UP.2242
black	grey	white	AR.UP.2241
black	grey	grey	AR.UP.2244
black	grey	chrome	AR.UP.2249

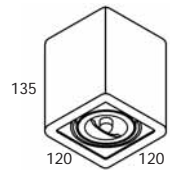
white	black	black	AR.UP.2122
white	black	white	AR.UP.2121
white	black	grey	AR.UP.2124
white	black	chrome	AR.UP.2129

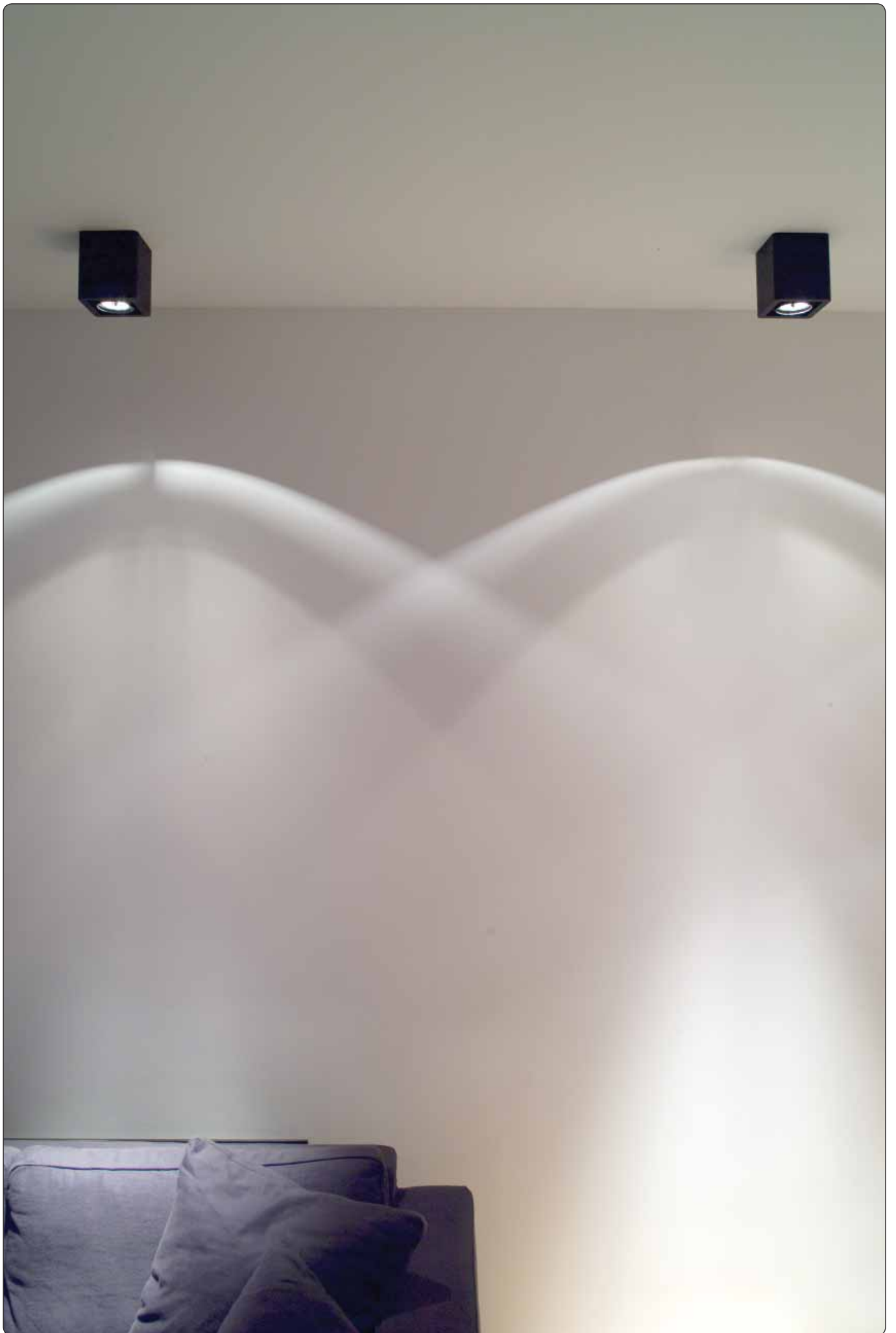
white	white	black	AR.UP.2112
white	white	white	AR.UP.2111
white	white	grey	AR.UP.2114
white	white	chrome	AR.UP.2119

white	grey	black	AR.UP.2142
white	grey	white	AR.UP.2141
white	grey	grey	AR.UP.2144
white	grey	chrome	AR.UP.2149

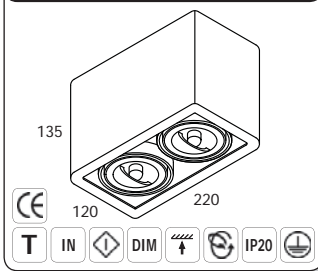
230...240V - BA15d - QR70 - max. 1 x 50W
transfo. included 

R 07-UP





R 70-UP



colour interior	colour exterior	colour ring	code
black	black	black	AR.UP.7222
black	black	white	AR.UP.7221
black	black	grey	AR.UP.7224
black	black	chrome	AR.UP.7229


black	white	black	AR.UP.7212
black	white	white	AR.UP.7211
black	white	grey	AR.UP.7214
black	white	chrome	AR.UP.7219

black	grey	black	AR.UP.7242
black	grey	white	AR.UP.7241
black	grey	grey	AR.UP.7244
black	grey	chrome	AR.UP.7249

white	black	black	AR.UP.7122
white	black	white	AR.UP.7121
white	black	grey	AR.UP.7124
white	black	chrome	AR.UP.7129

white	white	black	AR.UP.7112
white	white	white	AR.UP.7111
white	white	grey	AR.UP.7114
white	white	chrome	AR.UP.7119

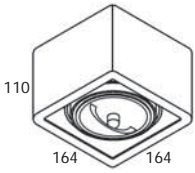
white	grey	black	AR.UP.7142
white	grey	white	AR.UP.7141
white	grey	grey	AR.UP.7144
white	grey	chrome	AR.UP.7149

230...240V - BA15d - QR70 - max. 2 x 50W
transfo. included 





R 110-UP



colour interior	colour exterior	colour ring	code
black	black	black	AR.UP.0222
black	black	white	AR.UP.0221
black	black	grey	AR.UP.0224
black	black	chrome	AR.UP.0229


black	white	black	AR.UP.0212
black	white	white	AR.UP.0211
black	white	grey	AR.UP.0214
black	white	chrome	AR.UP.0219

black	grey	black	AR.UP.0242
black	grey	white	AR.UP.0241
black	grey	grey	AR.UP.0244
black	grey	chrome	AR.UP.0249

white	black	black	AR.UP.0122
white	black	white	AR.UP.0121
white	black	grey	AR.UP.0124
white	black	chrome	AR.UP.0129

white	white	black	AR.UP.0112
white	white	white	AR.UP.0111
white	white	grey	AR.UP.0114
white	white	chrome	AR.UP.0119

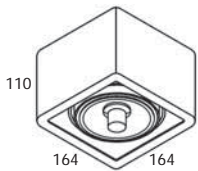
white	grey	black	AR.UP.0142
white	grey	white	AR.UP.0141
white	grey	grey	AR.UP.0144
white	grey	chrome	AR.UP.0149

230...240V - G53 - QR111 - max. 1 x 50W 
transfo. included





R 110-UP CDM-R111



colour interior	colour exterior	colour ring	code
black	black	black	AR.UP.8222
black	black	white	AR.UP.8221
black	black	grey	AR.UP.8224
black	black	chrome	AR.UP.8229


black	white	black	AR.UP.8212
black	white	white	AR.UP.8211
black	white	grey	AR.UP.8214
black	white	chrome	AR.UP.8219

black	grey	black	AR.UP.8242
black	grey	white	AR.UP.8241
black	grey	grey	AR.UP.8244
black	grey	chrome	AR.UP.8249

white	black	black	AR.UP.8122
white	black	white	AR.UP.8121
white	black	grey	AR.UP.8124
white	black	chrome	AR.UP.8129

white	white	black	AR.UP.8112
white	white	white	AR.UP.8111
white	white	grey	AR.UP.8114
white	white	chrome	AR.UP.8119

white	grey	black	AR.UP.8142
white	grey	white	AR.UP.8141
white	grey	grey	AR.UP.8144
white	grey	chrome	AR.UP.8149

GX 8,5 - CDM-R111 - max. 1 x 70W
 HID/CDM gear excluded 



colour interior	colour exterior	colour ring	code
black	black	black	AR.UP.1222
black	black	white	AR.UP.1221
black	black	grey	AR.UP.1224
black	black	chrome	AR.UP.1229

black	white	black	AR.UP.1212
black	white	white	AR.UP.1211
black	white	grey	AR.UP.1214
black	white	chrome	AR.UP.1219

black	grey	black	AR.UP.1242
black	grey	white	AR.UP.1241
black	grey	grey	AR.UP.1244
black	grey	chrome	AR.UP.1249

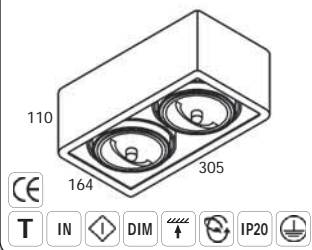
white	black	black	AR.UP.1122
white	black	white	AR.UP.1121
white	black	grey	AR.UP.1124
white	black	chrome	AR.UP.1129

white	white	black	AR.UP.1112
white	white	white	AR.UP.1111
white	white	grey	AR.UP.1114
white	white	chrome	AR.UP.1119

white	grey	black	AR.UP.1142
white	grey	white	AR.UP.1141
white	grey	grey	AR.UP.1144
white	grey	chrome	AR.UP.1149

230...240V - G53 - QR111 - max. 2 x 50W 
transfo. included

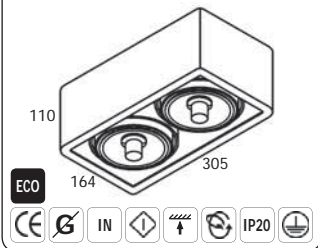
R 111-UP







R 111-UP CDM-R111



colour interior	colour exterior	colour ring	code
black	black	black	AR.UP.3222
black	black	white	AR.UP.3221
black	black	grey	AR.UP.3224
black	black	chrome	AR.UP.3229


black	white	black	AR.UP.3212
black	white	white	AR.UP.3211
black	white	grey	AR.UP.3214
black	white	chrome	AR.UP.3219

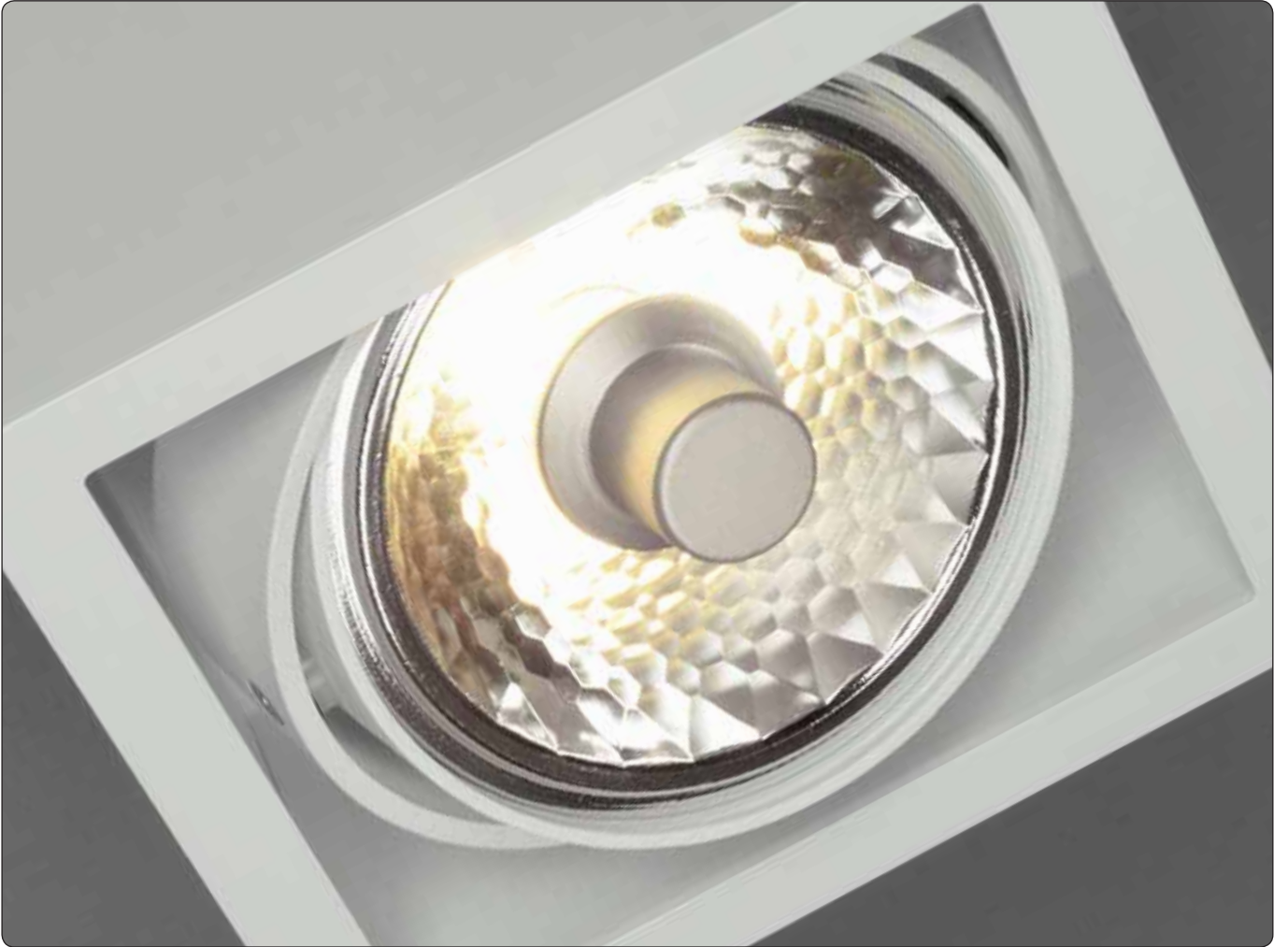
black	grey	black	AR.UP.3242
black	grey	white	AR.UP.3241
black	grey	grey	AR.UP.3244
black	grey	chrome	AR.UP.3249

white	black	black	AR.UP.3122
white	black	white	AR.UP.3121
white	black	grey	AR.UP.3124
white	black	chrome	AR.UP.3129

white	white	black	AR.UP.3112
white	white	white	AR.UP.3111
white	white	grey	AR.UP.3114
white	white	chrome	AR.UP.3119

white	grey	black	AR.UP.3142
white	grey	white	AR.UP.3141
white	grey	grey	AR.UP.3144
white	grey	chrome	AR.UP.3149



GX 8,5 - CDM-R111 - max. 2 x 70W
 HID/CDM gear excluded 





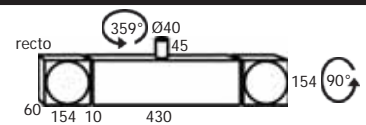
recto white + verso alu
 recto red + verso alu
 recto blue + verso alu
 recto green + verso alu
 recto orange + verso alu
 recto fuchsia + verso alu

colour	code
	SP.CE.1411
	SP.CE.1412
ano	SP.CE.1413
	SP.CE.1414
	SP.CE.1415
	SP.CE.1416

230...240V - G53 - 2 x QR111 max. 50W 
 + 2G11 - 1 x TCL 24W 
gear & tranfo. included

(other colours see p.244)

Spacy-14 1-Side





recto white + verso white
 recto red + verso white
 recto blue + verso white

 recto white + verso red
 recto white + verso blue

 recto red + verso red
 recto blue + verso blue

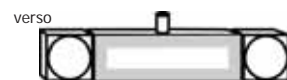
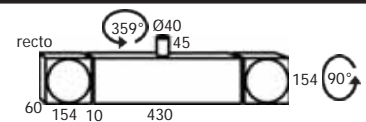
 recto green + verso white
 recto orange + verso white
 recto fuchsia + verso white

colour	code
	SP.CE.1421
ano	SP.CE.1422
	SP.CE.1423
	SP.CE.1424
ano	SP.CE.1425
	SP.CE.1426
ano	SP.CE.1427
	SP.CE.1428
ano	SP.CE.1429
	SP.CE.1430

230...240V - 2 x QR111 max. 50W 
 + 2G11 - 1 x TCL 24W 
gear & tranfo. included

(other colours see p.244)

Spacy-14 2-Sides





recto white + verso alu
 recto red + verso alu
 recto blue + verso alu
 recto green + verso alu
 recto orange + verso alu
 recto fuchsia + verso alu

colour	code
	SP.CE.2811
	SP.CE.2812
ano	SP.CE.2813
	SP.CE.2814
	SP.CE.2815
	SP.CE.2816

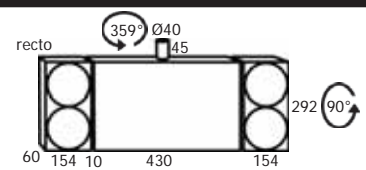
230...240V - G53 - 4 x QR111 max. 50W
 + 2G11 - 2 x TCL 24W



gear & tranfo. included

(other colours see p.244)

Spacy-28 1-Side



recto white + verso white
 recto red + verso white
 recto blue + verso white

 recto white + verso red
 recto white + verso blue

 recto red + verso red
 recto blue + verso blue

 recto green + verso white
 recto orange + verso white
 recto fuchsia + verso white

colour	code
	SP.CE.2821
ano	SP.CE.2822
	SP.CE.2823
	SP.CE.2824
ano	SP.CE.2825
	SP.CE.2826
ano	SP.CE.2827
	SP.CE.2828
ano	SP.CE.2829
	SP.CE.2830

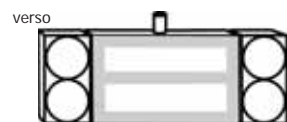
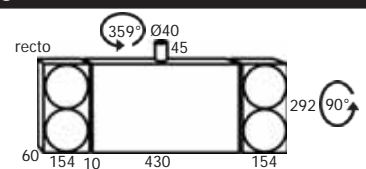
230...240V - G53 - 4 x QR111 max. 50W
 + 2G11 - 2 x TCL 24W



gear & tranfo. included

(other colours see p.244)

Spacy-28 2-Sides





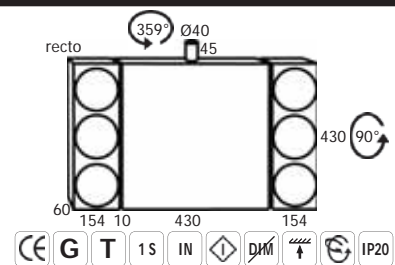
recto white + verso alu
 recto red + verso alu
 recto blue + verso alu
 recto green + verso alu
 recto orange + verso alu
 recto fuchsia + verso alu

colour	code
	SP.CE.4211
	SP.CE.4212
ano	SP.CE.4213
	SP.CE.4214
	SP.CE.4215
	SP.CE.4216

230...240V - G53 - 6 x QR111 max. 50W
 + 2G11 - 3 x TCL 24W
gear & tranfo. included

(other colours see p.244)

Spacy-42 1-Side



recto white + verso white
 recto red + verso white
 recto blue + verso white

 recto white + verso red
 recto white + verso blue

 recto red + verso red
 recto blue + verso blue

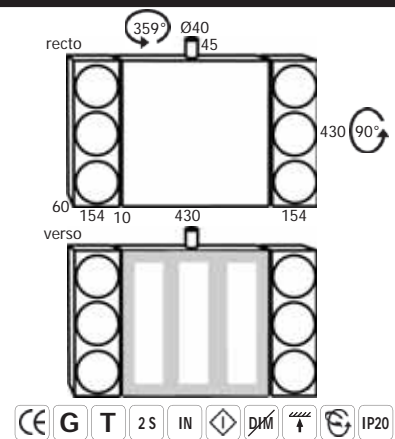
 recto green + verso white
 recto orange + verso white
 recto fuchsia + verso white

colour	code
	SP.CE.4221
ano	SP.CE.4222
	SP.CE.4223
	SP.CE.4224
ano	SP.CE.4225
	SP.CE.4226
ano	SP.CE.4227
	SP.CE.4228
ano	SP.CE.4229
	SP.CE.4230

230...240V - G53 - 6 x QR111 max. 50W
 + 2G11 - 3 x TCL 24W
gear & tranfo. included

(other colours see p.244)


Spacy-42 2-Sides





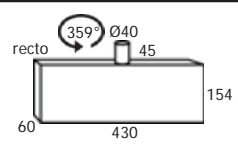


	colour	code
horizontal	recto white + verso alu	TE.HO.1411
	recto red + verso alu	TE.HO.1412
	recto blue + verso alu	TE.HO.1413
	recto green + verso alu	TE.HO.1414
	recto orange + verso alu	TE.HO.1415
	recto fuchsia + verso alu	TE.HO.1416
	ano	

230...240V - 2G11 - 1 x TCL 24W  gear included







(other colours see p.244)

Tempter-14 H 1-side

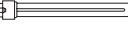


recto

359° Ø40 45 154 60 430

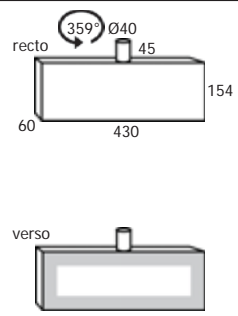
ECO   1 S IN  DM   IP40 

	colour	code	
horizontal	recto white + verso white	TE.HO.1421	
	recto red + verso white	TE.HO.1422	
	recto blue + verso white	TE.HO.1423	
	recto white + verso red	TE.HO.1424	
	recto white + verso blue	TE.HO.1425	
	recto red + verso red	TE.HO.1426	
	recto blue + verso blue	TE.HO.1427	
	recto green + verso white	TE.HO.1428	
	recto orange + verso white	TE.HO.1429	
	recto fuchsia + verso white	TE.HO.1430	
		ano	
		ano	

230...240V - 2G11 - 1 x TCL 24W  gear included

(other colours see p.244)







Tempter-14 H 2-sides



recto

359° Ø40 45 154 60 430

verso

ECO   2 S IN  DM   IP40 



vertical

recto white + verso alu
 recto red + verso alu
 recto blue + verso alu
 recto green + verso alu
 recto orange + verso alu
 recto fuchsia + verso alu

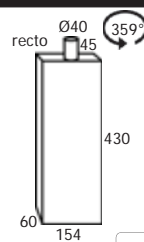
colour	code
	TE.VE.1411
	TE.VE.1412
ano	TE.VE.1413
	TE.VE.1414
	TE.VE.1415
	TE.VE.1416

230...240V - 2G11 - 1 x TCL 24W
 gear included



(other colours see p.244)

Tempter-14 V 1-side



vertical

recto white + verso white
 recto red + verso white
 recto blue + verso white

 recto white + verso red
 recto white + verso blue

 recto red + verso red
 recto blue + verso blue

 recto green + verso white
 recto orange + verso white
 recto fuchsia + verso white

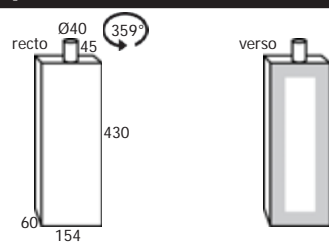
colour	code
	TE.VE.1421
ano	TE.VE.1422
	TE.VE.1423
	TE.VE.1424
ano	TE.VE.1425
	TE.VE.1426
ano	TE.VE.1427
	TE.VE.1428
ano	TE.VE.1429
	TE.VE.1430

230...240V - 2G11 - 1 x TCL 24W
 gear included




(other colours see p.244)

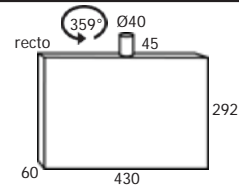
Tempter-14 V 2-sides










	colour	code	
horizontal		recto white + verso alu	TE.HO.2811
		recto red + verso alu	TE.HO.2812
		recto blue + verso alu	TE.HO.2813
		recto green + verso alu	TE.HO.2814
		recto orange + verso alu	TE.HO.2815
		recto fuchsia + verso alu	TE.HO.2816
		ano	


230...240V - 2G11 - 2 x TCL 24W 
gear included (other colours see p.244)

Tempter-28 H 1-side

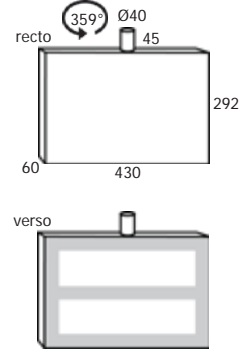









ECO   1 S IN     IP40 

	colour	code		
horizontal		recto white + verso white	TE.HO.2821	
		recto red + verso white	TE.HO.2822	
		recto blue + verso white	TE.HO.2823	
		recto white + verso red	TE.HO.2824	
		recto white + verso blue	TE.HO.2825	
		recto red + verso red	TE.HO.2826	
		recto blue + verso blue	TE.HO.2827	
		recto green + verso white	TE.HO.2828	
		recto orange + verso white	TE.HO.2829	
		recto fuchsia + verso white	TE.HO.2830	
			ano	


230...240V - 2G11 - 2 x TCL 24W 
gear included (other colours see p.244)

Tempter-28 H 2-sides

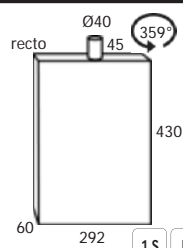









ECO   2 S IN     IP40 

	colour	code	
vertical		recto white + verso alu	TE.VE.2811
		recto red + verso alu	TE.VE.2812
		recto blue + verso alu	TE.VE.2813
		recto green + verso alu	TE.VE.2814
		recto orange + verso alu	TE.VE.2815
		recto fuchsia + verso alu	TE.VE.2816
		ano	


230...240V - 2G11 - 2 x TCL 24W 
gear included (other colours see p.244)

Tempter-28 V 1-side

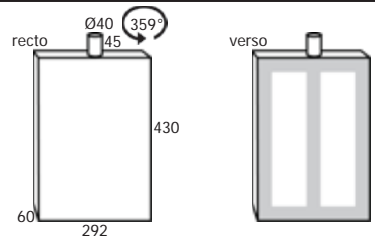









ECO   1 S IN     IP40 

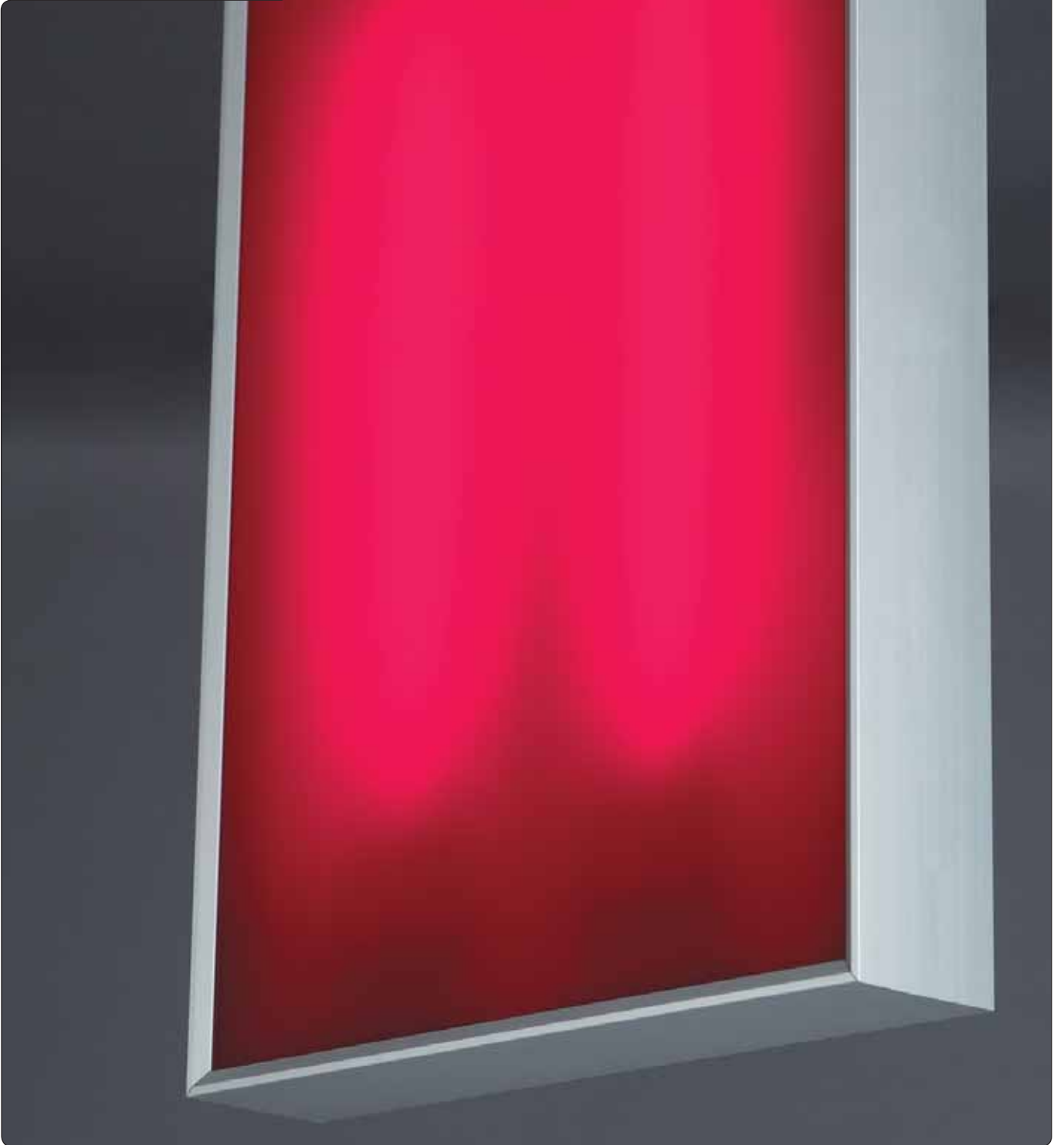
	colour	code		
vertical		recto white + verso white	TE.VE.2821	
		recto red + verso white	TE.VE.2822	
		recto blue + verso white	TE.VE.2823	
		recto white + verso red	TE.VE.2824	
		recto white + verso blue	TE.VE.2825	
		recto red + verso red	TE.VE.2826	
		recto blue + verso blue	TE.VE.2827	
		recto green + verso white	TE.VE.2828	
		recto orange + verso white	TE.VE.2829	
		recto fuchsia + verso white	TE.VE.2830	
			ano	

230...240V - 2G11 - 2 x TCL 24W 
gear included (other colours see p.244)

Tempter-28 V 2-sides




ECO   2 S IN     IP40 

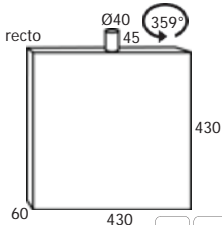




	colour	code
horizontal		recto white + verso alu
		recto red + verso alu
		recto blue + verso alu
		recto green + verso alu
		recto orange + verso alu
		recto fuchsia + verso alu
		TE.HO.4211
		TE.HO.4212
	ano	TE.HO.4213
		TE.HO.4214
		TE.HO.4215
		TE.HO.4216


230...240V - 2G11 - 3 x TCL 24W 
gear included (other colours see p.244)

Tempter-42 H 1-side

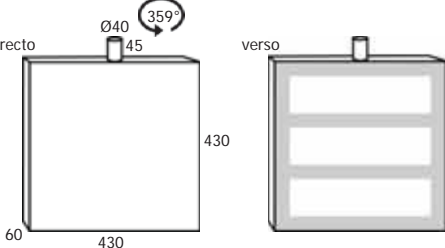


ECO CE G 1 S IN DM IP40

	colour	code	
horizontal		recto white + verso white	
		recto red + verso white	
		recto blue + verso white	
		recto white + verso red	
		recto white + verso blue	
		recto red + verso red	
		recto blue + verso blue	
		recto green + verso white	
		recto orange + verso white	
		recto fuchsia + verso white	
			TE.HO.4221
		ano	TE.HO.4222
		TE.HO.4223	
	ano	TE.HO.4224	
		TE.HO.4225	
	ano	TE.HO.4226	
		TE.HO.4227	
		TE.HO.4228	
	ano	TE.HO.4229	
		TE.HO.4230	


230...240V - 2G11 - 3 x TCL 24W 
gear included (other colours see p.244)

Tempter-42 H 2-sides

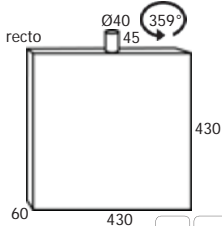


ECO CE G 2 S IN DM IP40

	colour	code
vertical		recto white + verso alu
		recto red + verso alu
		recto blue + verso alu
		recto green + verso alu
		recto orange + verso alu
		recto fuchsia + verso alu
		TE.VE.4211
		TE.VE.4212
	ano	TE.VE.4213
		TE.VE.4214
		TE.VE.4215
		TE.VE.4216


230...240V - 2G11 - 3 x TCL 24W 
gear included (other colours see p.244)

Tempter-42 V 1-side

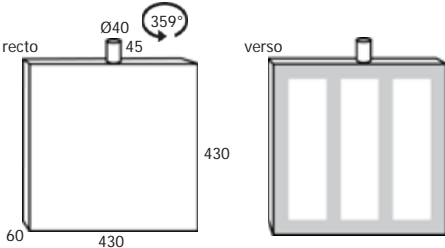


ECO CE G 1 S IN DM IP40

	colour	code	
vertical		recto white + verso white	
		recto red + verso white	
		recto blue + verso white	
		recto white + verso red	
		recto white + verso blue	
		recto red + verso red	
		recto blue + verso blue	
		recto green + verso white	
		recto orange + verso white	
		recto fuchsia + verso white	
			TE.VE.4221
		ano	TE.VE.4222
		TE.VE.4223	
	ano	TE.VE.4224	
		TE.VE.4225	
	ano	TE.VE.4226	
		TE.VE.4227	
		TE.VE.4228	
	ano	TE.VE.4229	
		TE.VE.4230	

230...240V - 2G11 - 3 x TCL 24W 
gear included (other colours see p.244)

Tempter-42 V 2-sides



ECO CE G 2 S IN DM IP40

horizontal

recto white + verso alu
 recto red + verso alu
 recto blue + verso alu
 recto green + verso alu
 recto orange + verso alu
 recto fuchsia + verso alu

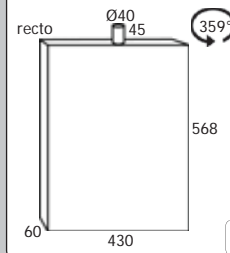
colour	code
	TE.HO.5611
	TE.HO.5612
ano	TE.HO.5613
	TE.HO.5614
	TE.HO.5615
	TE.HO.5616

230...240V - 2G11 - 4 x TCL 24W
gear included



(other colours see p.244)

Tempter-56 H 1-side



horizontal

recto white + verso white
 recto red + verso white
 recto blue + verso white

 recto white + verso red
 recto white + verso blue

 recto red + verso red
 recto blue + verso blue

 recto green + verso white
 recto orange + verso white
 recto fuchsia + verso white

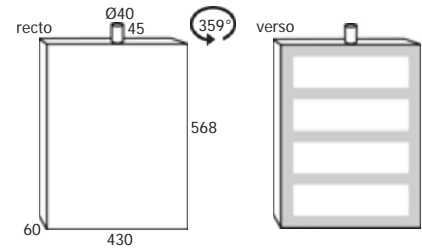
colour	code
	TE.HO.5621
ano	TE.HO.5622
	TE.HO.5623
ano	TE.HO.5624
	TE.HO.5625
ano	TE.HO.5626
	TE.HO.5627
	TE.HO.5628
ano	TE.HO.5629
	TE.HO.5630

230...240V - 2G11 - 4 x TCL 24W
gear included



(other colours see p.244)

Tempter-56 H 2-sides



vertical

recto white + verso alu
 recto red + verso alu
 recto blue + verso alu
 recto green + verso alu
 recto orange + verso alu
 recto fuchsia + verso alu

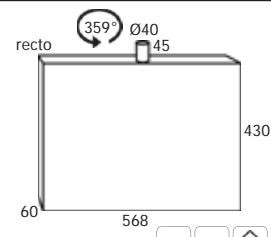
colour	code
	TE.VE.5611
	TE.VE.5612
ano	TE.VE.5613
	TE.VE.5614
	TE.VE.5615
	TE.VE.5616

230...240V - 2G11 - 4 x TCL 24W
gear included



(other colours see p.244)

Tempter-56 V 1-side



vertical

recto white + verso white
 recto red + verso white
 recto blue + verso white

 recto white + verso red
 recto white + verso blue

 recto red + verso red
 recto blue + verso blue

 recto green + verso white
 recto orange + verso white
 recto fuchsia + verso white

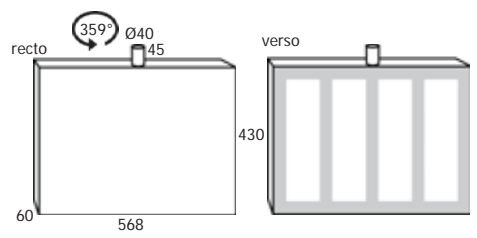
colour	code
	TE.VE.5621
ano	TE.VE.5622
	TE.VE.5623
ano	TE.VE.5624
	TE.VE.5625
ano	TE.VE.5626
	TE.VE.5627
	TE.VE.5628
ano	TE.VE.5629
	TE.VE.5630

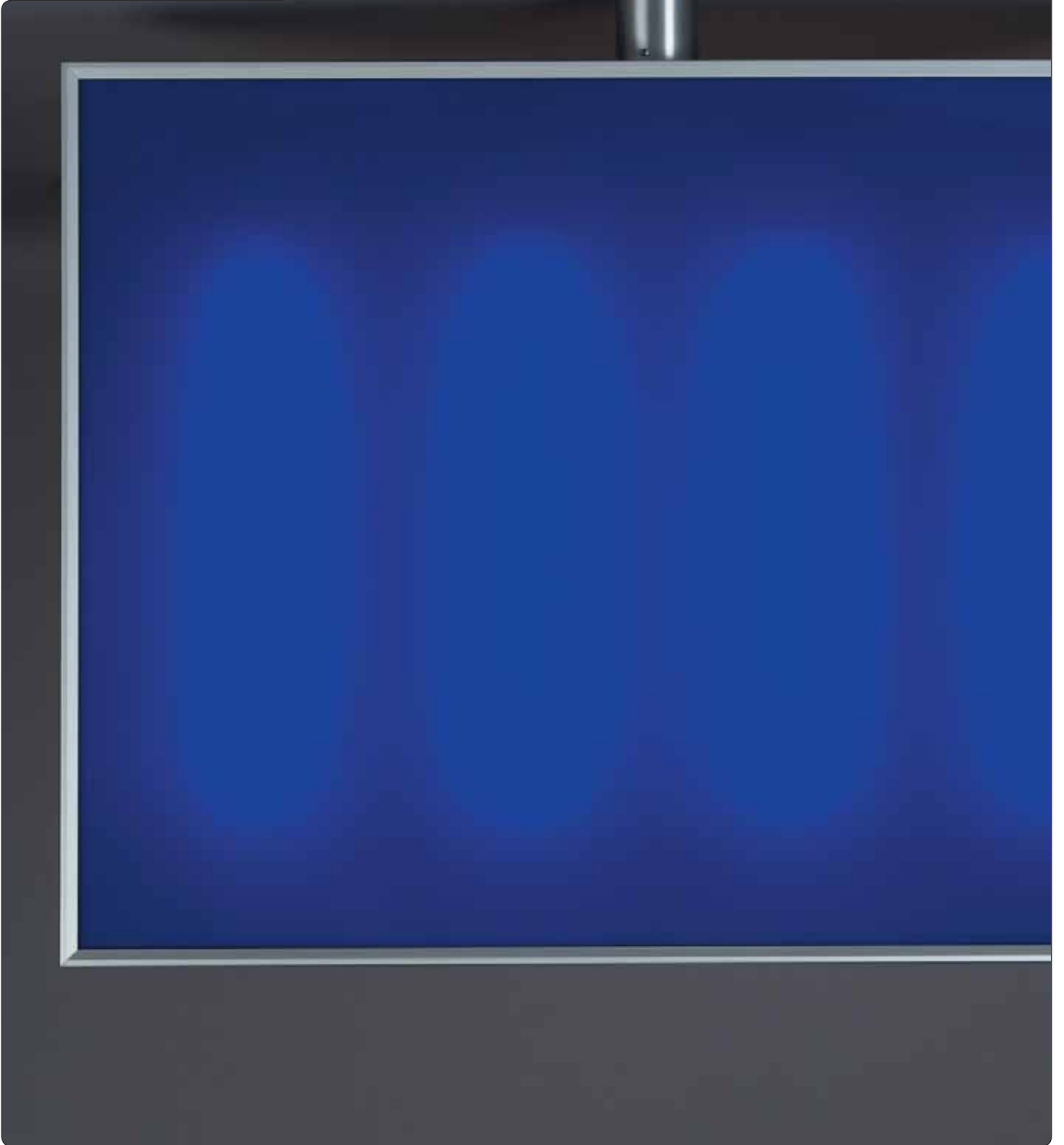
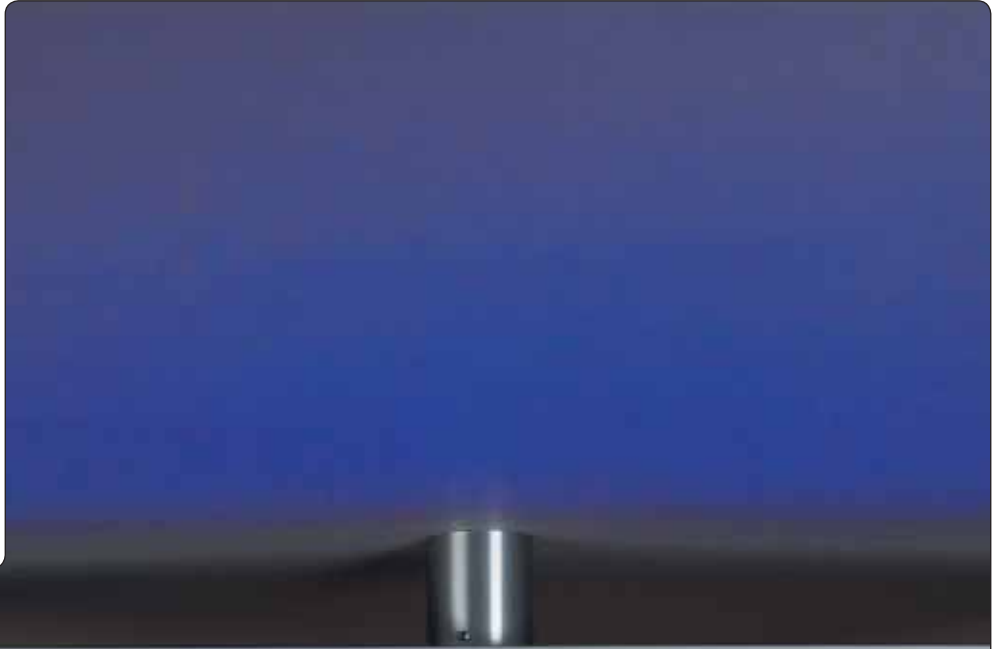
230...240V - 2G11 - 4 x TCL 24W
gear included



(other colours see p.244)

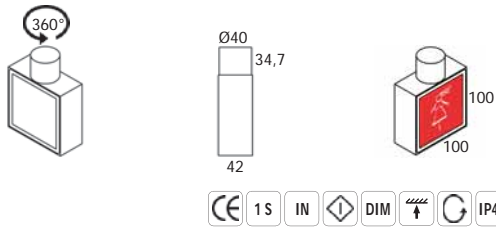
Tempter-56 V 2-sides







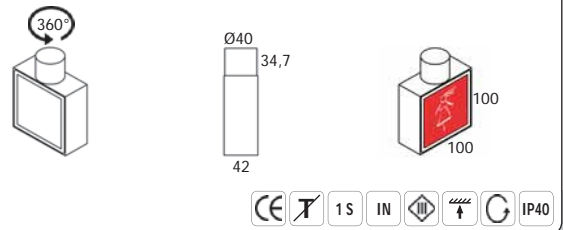
Ze-C IN + Picto



Picto	colour	code
1 side man & lady + alu		ZE.PL.3830
1 side man + alu	alu	ZE.PL.3831
1 side lady + alu		ZE.PL.3832
<hr/>		
1 side man & lady + white		ZE.PL.1830
1 side man + white	alu + white	ZE.PL.1831
1 side lady + white		ZE.PL.1832

230...240V - G9 - max. 1 x 40W
Ceiling cover Ze see p.207

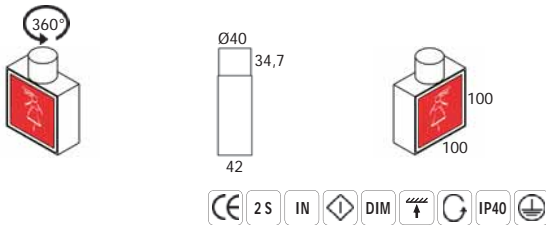
ZeZe-C IN + Picto



Picto	colour	code
1 side man & lady + alu		ZE.PL.3841
1 side man + alu	alu	ZE.PL.3842
1 side lady + alu		ZE.PL.3843
<hr/>		
1 side man & lady + white		ZE.PL.1841
1 side man + white	alu + white	ZE.PL.1842
1 side lady + white		ZE.PL.1843

12V - GY6,35 - max. 1 x 35W
transfo. excluded
Ceiling cover ZeZe see p.207

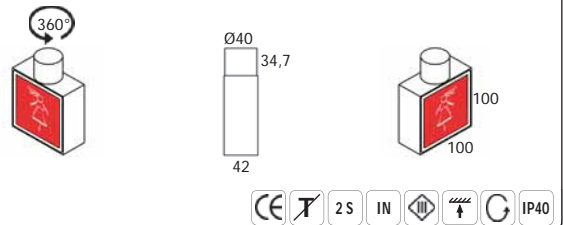
Zi-C IN + Picto



Picto	colour	code
2 sides man & lady		ZI.PL.3900
2 sides man	alu	ZI.PL.3901
2 sides lady		ZI.PL.3902
<hr/>		
2 sides man & lady		ZI.PL.1900
2 sides man	alu + white	ZI.PL.1901
2 sides lady		ZI.PL.1902

230...240V - G9 - max. 1 x 40W
Ceiling cover Zi see p.207

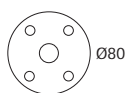
ZiU-C IN + Picto



Picto	colour	code
2 sides man & lady		ZI.PL.3910
2 sides man	alu	ZI.PL.3911
2 sides lady		ZI.PL.3912
<hr/>		
2 sides man & lady		ZI.PL.1910
2 sides man	alu + white	ZI.PL.1911
2 sides lady		ZI.PL.1912

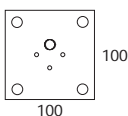
12V - GY6,35 - max. 1 x 35W
transfo. excluded
Ceiling cover ZiU see p.207

Cover Z...



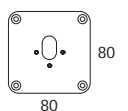
wall or ceiling cover round IN

colour	code
alu	21.AC.3200



wall or ceiling cover square IN

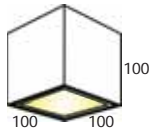
alu	21.AC.3201
white	21.AC.5202



wall or ceiling cover square rounded IN

alu	AC.DE.3005
-----	------------

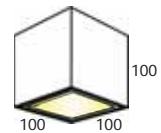
ZoP-IN



	colour	code
frosted glass		21.PL.3904
blue frosted glass	alu	21.PL.3954
red frosted glass		21.PL.3964
green frosted glass		21.PL.3974
<hr/>		
frosted glass		21.PL.1904
blue frosted glass	alu + white	21.PL.1954
red frosted glass		21.PL.1964
green frosted glass		21.PL.1974

230...240V - G9 - max. 1 x 60W

ZoZoP-IN



	colour	code
frosted glass		21.PL.3914
blue frosted glass	alu	21.PL.3945
red frosted glass		21.PL.3946
green frosted glass		21.PL.3947
<hr/>		
frosted glass		21.PL.1914
blue frosted glass	alu + white	21.PL.1945
red frosted glass		21.PL.1946
green frosted glass		21.PL.1947

12V - GY6,35 - max. 1 x 50W
transfo. excluded





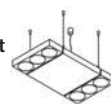
Cri-ate H
p. 212 - 219



Estra H
p. 220 - 223



Izor supplement
p. 244



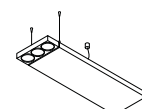
Izor H
p. 224 - 244



Kwa-Kwa
p. 245 - 247

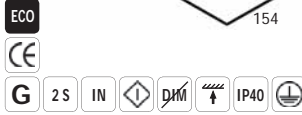
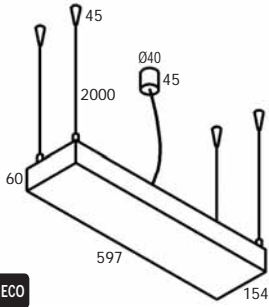


Push-SU
p. 248 - 249



Tizor H
p. 250 - 253

Cri-ate 61 & 62 G-H



Cri-ate 61 G-H

2 sides PMMA white

colour
ano

code
CR.SH.0051

230...240V - G5 - 1 x T5 - HO 24W

Cri-ate 62 G-H

2 sides PMMA white

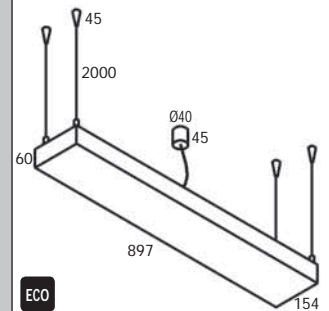
ano

code
CR.SH.0053

230...240V - G5 - 2 x T5 - HO 24W

gear included

Cri-ate 91 & 92 G-H



Cri-ate 91 G-H

2 sides PMMA white

colour
ano

code
CR.SH.0055

230...240V - G5 - 1 x T5 - HE 21W

Cri-ate 92 G-H

2 sides PMMA white

ano

code
CR.SH.0056

230...240V - G5 - 2 x T5 - HE 21W

Cri-ate 92 G-H

2 sides PMMA white

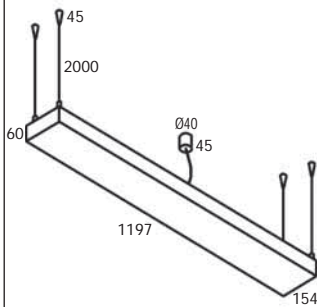
ano

code
CR.SH.0057

230...240V - G5 - 2 x T5 - HO 39W

gear included

Cri-ate 122 G-H



Cri-ate 122 G-H

2 sides PMMA white

colour
ano

code
CR.SH.0059

230...240V - G5 - 2 x T5 - HE 28W

Cri-ate 122 G-H

2 sides PMMA white

ano



code
CR.SH.0060

Cri-ate 122 G-H dimmable *

code
CR.D1.0060

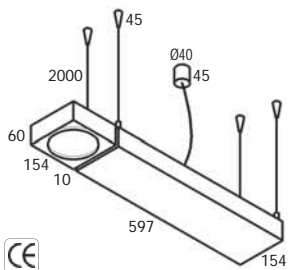
230...240V - G5 - 2 x T5 - HO 54W

* dimmable 1-10V (switch-dim on demand)
gear included

Cri-ate 61 GT1-H		colour	code
Cri-ate 61 GT1-H + 2 circuit *	2 sides PMMA white	ano	CR.SH.0151 CR.DC.0151
230...240V - G53 - 1 x QR111 - max. 50W 			
+ G5 - 1 x T5 - HO 24W 			

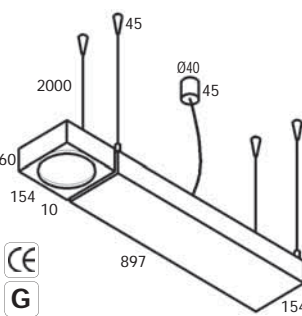
* 2 circuit = separate alimентация for T5 & QR111
gear & tranfo. included

Cri-ate 61 GT1-H





CE
G
T
2S IN DIM IP20



Cri-ate 91 GT1-H





CE
G
T
2S IN DIM IP20

Cri-ate 91 GT1-H		colour	code
Cri-ate 91 GT1-H + 2 circuit *	2 sides PMMA white	ano	CR.SH.0155 CR.DC.0155
230...240V - G53 - 1 x QR111 - max. 50W 			
+ G5 - 1 x T5 - HE 21W 			

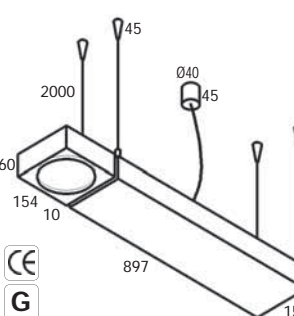
* 2 circuit = separate alimентация for T5 & QR111
gear & tranfo. included

Cri-ate 92 GT1-H		colour	code
Cri-ate 92 GT1-H + 2 circuit *	2 sides PMMA white	ano	CR.SH.0156 CR.DC.0156
230...240V - G53 - 1 x QR111 - max. 50W 			
+ G5 - 2 x T5 - HE 21W 			

Cri-ate 92 GT1-H		colour	code
Cri-ate 92 GT1-H + 2 circuit *	2 sides PMMA white	ano	CR.SH.0157 CR.DC.0157
230...240V - G53 - 1 x QR111 - max. 50W 			
+ G5 - 2 x T5 - HO 39W 			

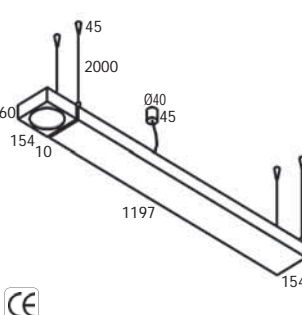
* 2 circuit = separate alimентация for T5 & QR111
gear & tranfo. included

Cri-ate 92 GT1-H







CE
G
T
2S IN DIM IP20

Cri-ate 122 GT1-H



CE
G
T
2S IN DIM IP20

Cri-ate 122 GT1-H		colour	code
Cri-ate 122 GT1-H + 2 circuit *	2 sides PMMA white	ano	CR.SH.0159 CR.DC.0159
230...240V - G53 - 1 x QR111 - max. 50W 			
+ G5 - 2 x T5 - HE 28W 			

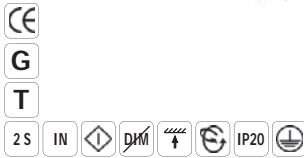
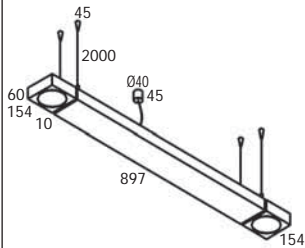
Cri-ate 122 GT1-H		colour	code
Cri-ate 122 GT1-H + 2 circuit *	2 sides PMMA white	ano	CR.SH.0160 CR.DC.0160
Cri-ate 122 GT1-H DIM + 2 circuit **			
230...240V - G53 - 1 x QR111 - max. 50W 			
+ G5 - 2 x T5 - HO 54W 			

* 2 circuit = separate alimентация for T5 & QR111
** dimmable 2 x T5 54W (1-10V) + 2 circuit (switch-dim on demand)
gear & tranfo. included





Cri-ate 91 GT2-H





Cri-ate 91 GT2-H
Cri-ate 91 GT2-H + 2 circuit *

2 sides PMMA white

colour

code

ano CR.SH.0256
ano CR.DC.0256

230...240V - G53 - 2 x QR111 - max. 50W 
+ G5 - 1 x T5 - HE 21W 

* 2 circuit = separate alimention for T5 & QR111
gear & tranfo. included



Cri-ate 92 GT2-H
Cri-ate 92 GT2-H + 2 circuit *

2 sides PMMA white

colour

code

ano CR.SH.0257
ano CR.DC.0257



230...240V - G53 - 2 x QR111 - max. 50W 
+ G5 - 2 x T5 - HE 21W 

Cri-ate 92 GT2-H
Cri-ate 92 GT2-H + 2 circuit *

2 sides PMMA white

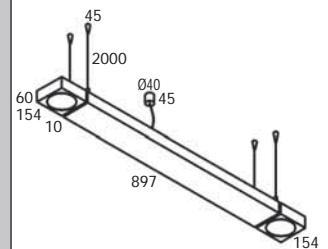
ano

CR.SH.0258
CR.DC.0258

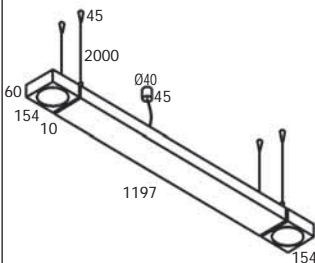
230...240V - G53 - 2 x QR111 - max. 50W 
+ G5 - 2 x T5 - HO 39W 

* 2 circuit = separate alimention for T5 & QR111
gear & tranfo. included

Cri-ate 92 GT2-H



Cri-ate 122 GT2-H





Cri-ate 122 GT2-H
Cri-ate 122 GT2-H + 2 circuit *

2 sides PMMA white

colour

code

ano CR.SH.0260
ano CR.DC.0260

230...240V - G53 - 2 x QR111 - max. 50W 
+ G5 - 2 x T5 - HE 28W 



Cri-ate 122 GT2-H

Cri-ate 122 GT2-H + 2 circuit *

2 sides PMMA white

ano CR.SH.0261
ano CR.DC.0261

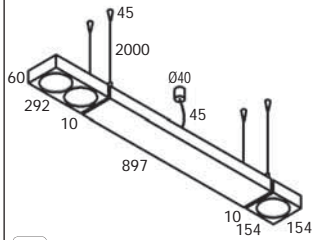
Cri-ate 122 GT2-H DIM + 2 circuit **

230...240V - G53 - 2 x QR111 - max. 50W 
+ G5 - 2 x T5 - HO 54W 

* 2 circuit = separate alimention for T5 & QR111
** dimmable 2 x T5 54W (1-10V) + 2 circuit (switch-dim on demand)
gear & tranfo. included



Cri-ate 91 GT3-H



Cri-ate 91 GT3-H
Cri-ate 91 GT3-H + 2 circuit *

2 sides PMMA white

colour	code
ano	CR.SH.0356
ano	CR.DC.0356

230...240V - G53 - 3 x QR111 - max. 50W
+ G5 - 1 x T5 - HE 21W

* 2 circuit = separate alimention for T5 & QR111
gear & tranfo. included

Cri-ate 92 GT3-H
Cri-ate 92 GT3-H + 2 circuit *

2 sides PMMA white

colour	code
ano	CR.SH.0357
ano	CR.DC.0357

230...240V - G53 - 3 x QR111 - max. 50W
+ G5 - 2 x T5 - HE 21W

Cri-ate 92 GT3-H
Cri-ate 92 GT3-H + 2 circuit *

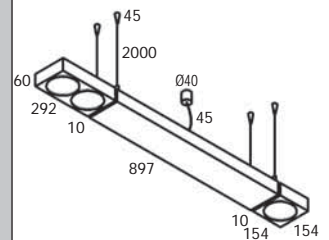
2 sides PMMA white

colour	code
ano	CR.SH.0358
ano	CR.DC.0358

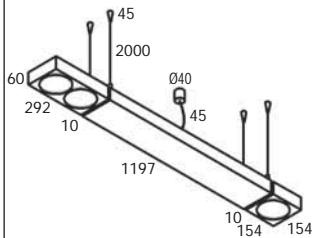
230...240V - G53 - 3 x QR111 - max. 50W
+ G5 - 2 x T5 - HO 39W

* 2 circuit = separate alimention for T5 & QR111
gear & tranfo. included

Cri-ate 92 GT3-H



Cri-ate 122 GT3-H



Cri-ate 122 GT3-H
Cri-ate 122 GT3-H + 2 circuit *

2 sides PMMA white

colour	code
ano	CR.SH.0360
ano	CR.DC.0360

230...240V - G53 - 3 x QR111 - max. 50W
+ G5 - 2 x T5 - HE 28W

Cri-ate 122 GT3-H

Cri-ate 122 GT3-H + 2 circuit *

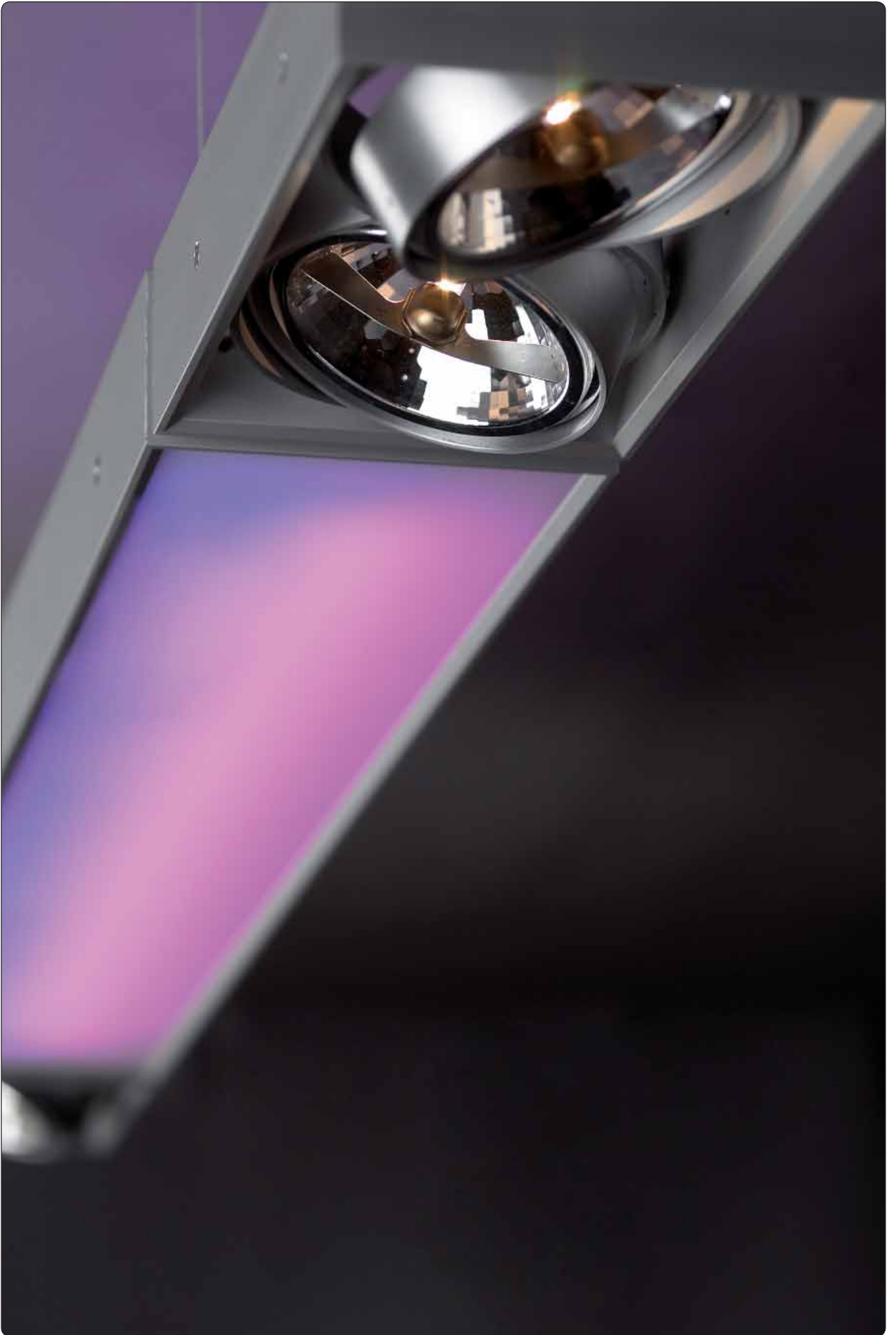
2 sides PMMA white

colour	code
ano	CR.SH.0361
ano	CR.DC.0361
ano	CR.DI.0361

Cri-ate 122 GT3-H DIM + 2 circuit **

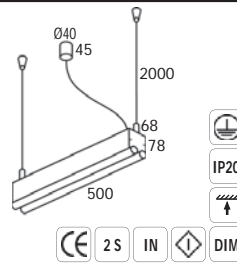
230...240V - G53 - 3 x QR111 - max. 50W
+ G5 - 2 x T5 - HO 54W

* 2 circuit = separate alimention for T5 & QR111
** dimmable 2 x T5 54W (1-10V) + 2 circuit (switch-dim on demand)
gear & tranfo. included






Estra 50-H



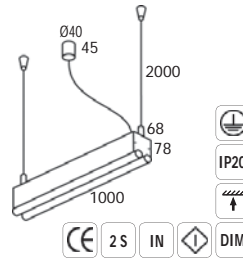
side up PMMA white
side up PMMA red
side up PMMA blue

colour	code
	ES.SH.1050
ano	ES.SH.1051
	ES.SH.1052

230V - S14s - Linestra 
max. 2 x 60W




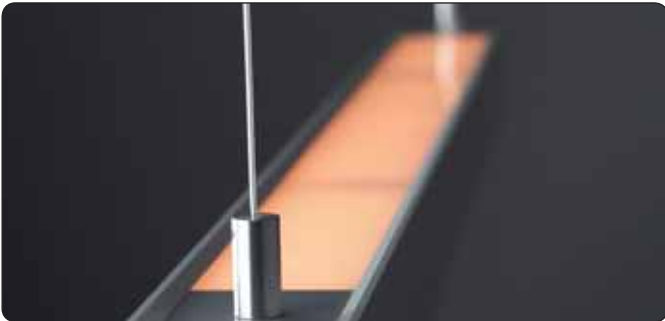
Estra 100-H



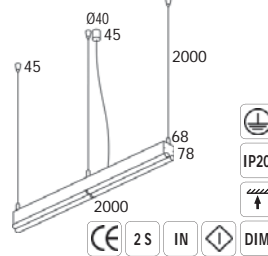
side up PMMA white
side up PMMA red
side up PMMA blue

colour	code
	ES.SH.1100
ano	ES.SH.1101
	ES.SH.1102

230V - S14s - Linestra 
max. 2 x 120W




Estra 200-H

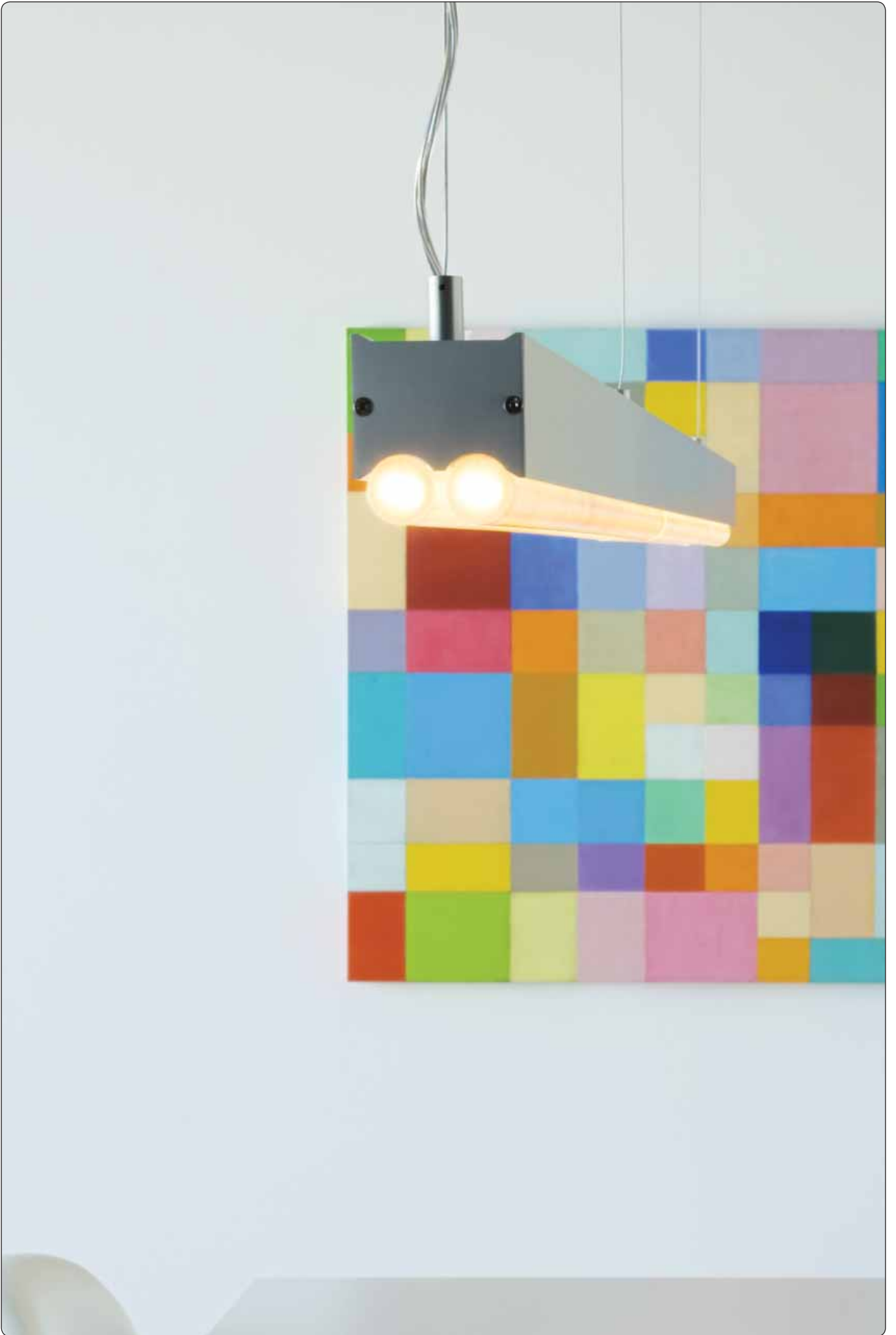


side up PMMA white
side up PMMA red
side up PMMA blue

colour	code
	ES.SH.1200
ano	ES.SH.1201
	ES.SH.1202

230V - S14s - Linestra 
max. 4 x 120W

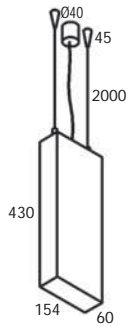








Izor 14 G-V



ECO



1 - lighting side
1 - lighting side + emergency *

1 side PMMA white (other colours see p.244)
/ 1 side ano

colour

code

ano

21.SV.3051
EM.SV.3051

2 - lighting sides
2 - lighting sides + emergency *

2 sides PMMA white
(other colours see p.244)

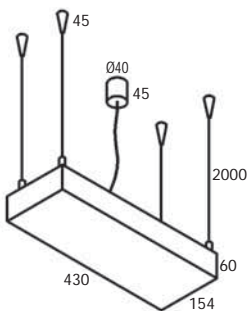
ano

21.SV.3052
EM.SV.3052

* 1 x TCL 24W with battery 3 x Ni-cd 3,6V + monitor Led

230...240V - 2G11 - 1 x TCL 24W 
gear included

Izor 14 G-H



ECO



1 - lighting side up
1 - lighting side up + emergency *

up : PMMA white (other colours see p.244)
/ down : ano

colour

code

ano

21.SH.3050
EM.SH.3050

1 - lighting side down
1 - lighting side down + emergency *

up : ano / down : PMMA white
(other colours see p.244)

ano

21.SH.3051
EM.SH.3051

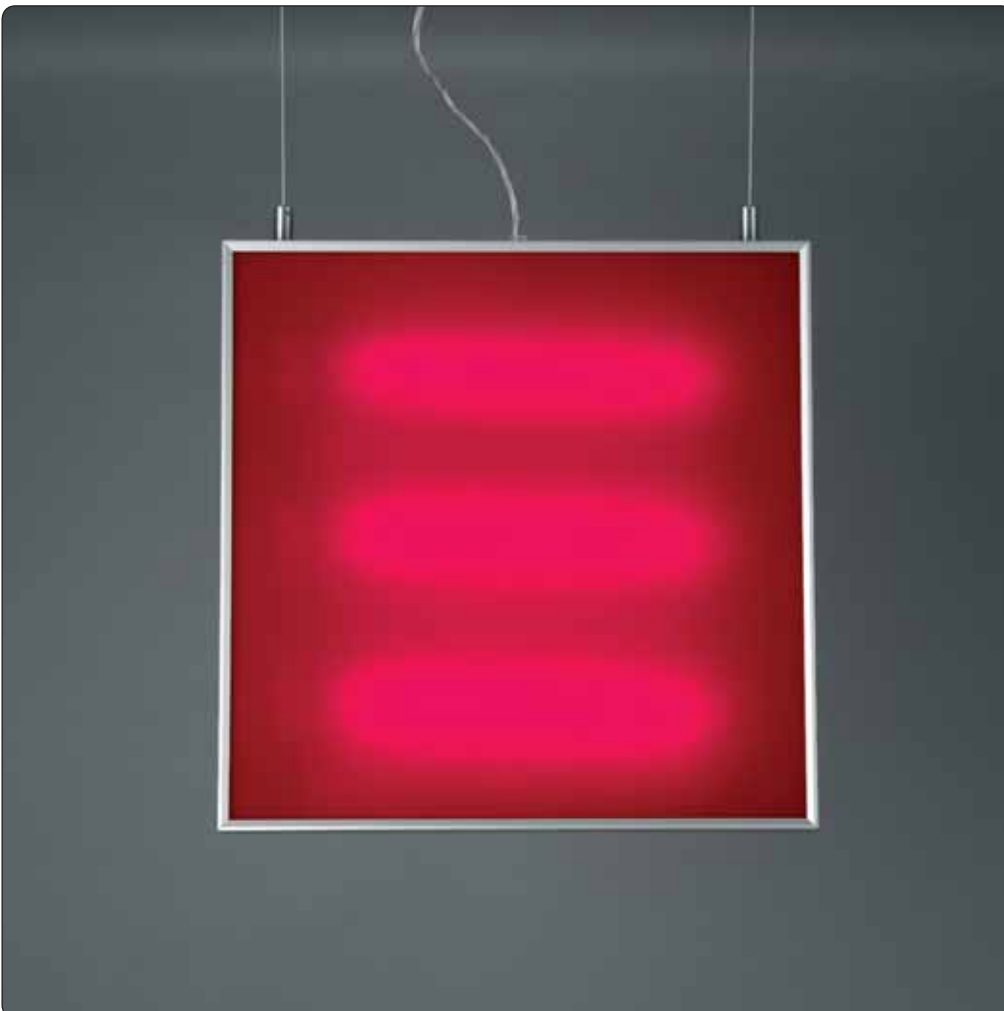
2 - lighting sides
2 - lighting sides + emergency *

up & down : PMMA white
(other colours see p.244)

ano

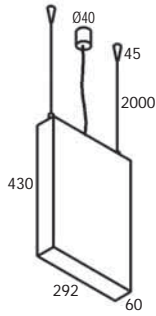
21.SH.3052
EM.SH.3052

230...240V - 2G11 - 1 x TCL 24W 
gear included






Izor 28 G-V



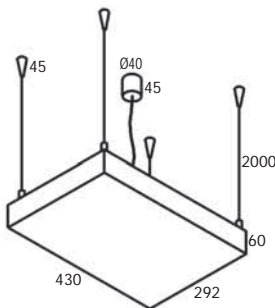
		colour	code
1 - lighting side	1 side PMMA white (other colours see p.244)	ano	21.SV.3061
1 - lighting side dimmable**	/ 1 side ano		DI.SV.3061
1 - lighting side + emergency *			EM.SV.3061

2 - lighting sides	2 sides PMMA white (other colours see p.244)	ano	21.SV.3062
2 - lighting sides dimmable**			DI.SV.3062
2 - lighting sides + emergency *			EM.SV.3062

* 1 x TCL 24W & 1 x TCL 24W with battery 3 x Ni-cd 3,6V + monitor Led
 ** dimmable 2 x TCL 24W with switch-dim

230...240V - 2G11 - 2 x TCL 24W 
gear included

Izor 28 G-H



		colour	code
1 - lighting side up	up : PMMA white (other colours see p.244)	ano	21.SH.3060
1 - lighting side up dimmable**	/ down : ano		DI.SH.3060
1 - lighting side up + emergency *			EM.SH.3060

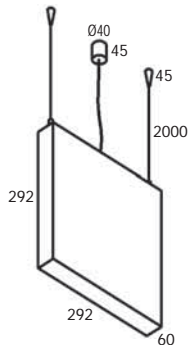
1 - lighting side down	up : ano / down : PMMA white (other colours see p.244)	ano	21.SH.3061
1 - lighting side down dimmable**			DI.SH.3061
1 - lighting side down + emergency *			EM.SH.3061

2 - lighting sides	up & down : PMMA white (other colours see p.244)	ano	21.SH.3062
2 - lighting sides dimmable**			DI.SH.3062
2 - lighting sides + emergency *			EM.SH.3062

* 1 x TCL 24W & 1 x TCL 24W with battery 3 x Ni-cd 3,6V + monitor Led
 ** dimmable 2 x TCL 24W with switch-dim

230...240V - 2G11 - 2 x TCL 24W 
gear included

Izor 292 G-V



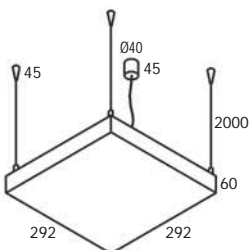
		colour	code
1 - lighting side	1 side PMMA white (other colours see p.244)	ano	21.SV.2961
1 - lighting side + emergency *	/ 1 side ano		EM.SV.2961

2 - lighting sides	2 sides PMMA white (other colours see p.244)	ano	21.SV.2962
2 - lighting sides + emergency *			EM.SV.2962

* 1 x TCL 18W & 1 x TCL 18W with battery 3 x Ni-cd 3,6V + monitor Led

230...240V - 2G11 - 2 x TCL 18W 
gear included

Izor 292 G-H



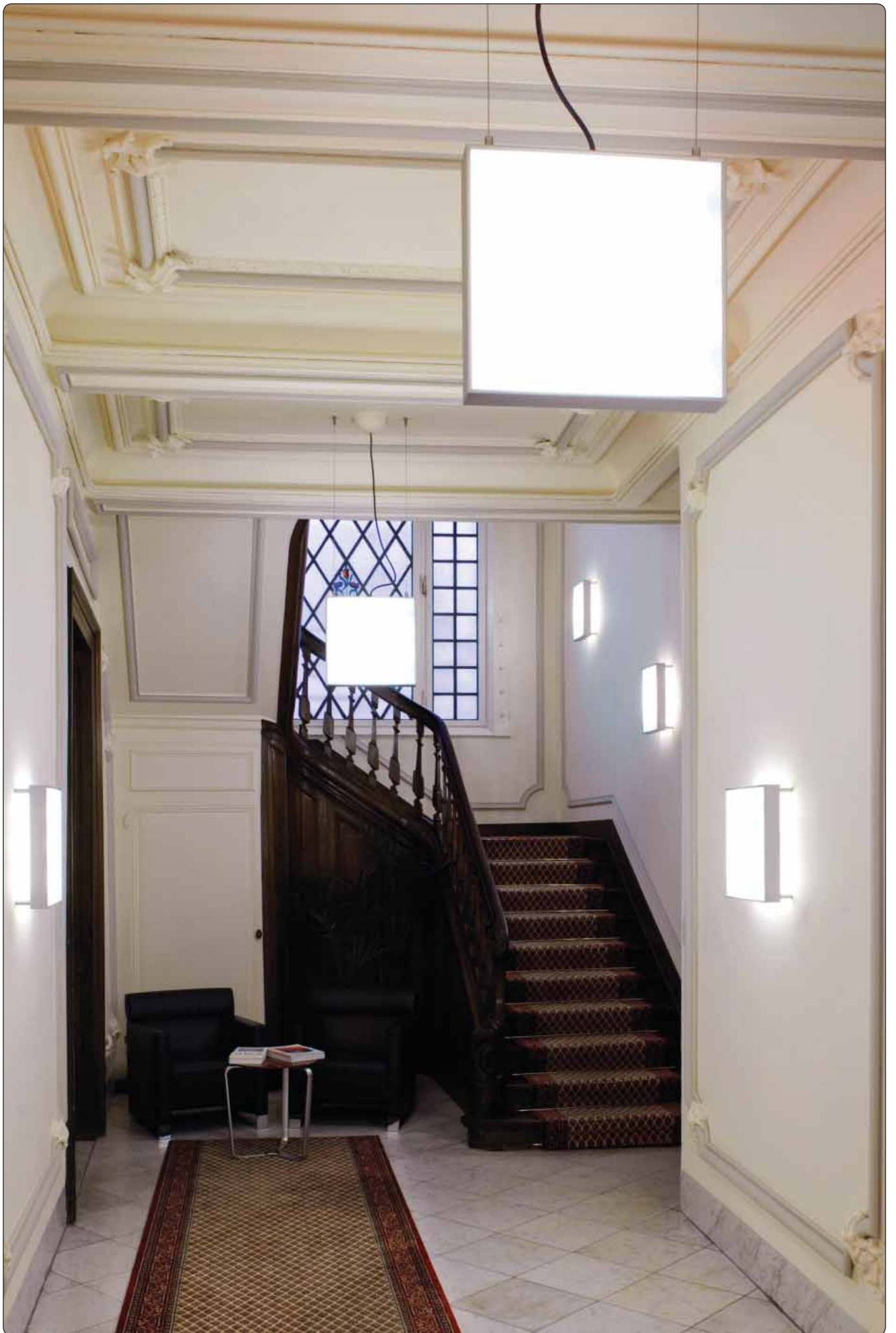
		colour	code
1 - lighting side up	up : PMMA white (other colours see p.244)	ano	21.SH.2960
1 - lighting side up + emergency *	/ down : ano		EM.SH.2960

1 - lighting side down	up : ano / down : PMMA white (other colours see p.244)	ano	21.SH.2961
1 - lighting side down + emergency *			EM.SH.2961

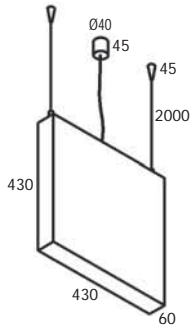
2 - lighting sides	up & down : PMMA white (other colours see p.244)	ano	21.SH.2962
2 - lighting sides + emergency *			EM.SH.2962

* 1 x TCL 18W & 1 x TCL 18W with battery 3 x Ni-cd 3,6V + monitor Led

230...240V - 2G11 - 2 x TCL 18W 
gear included



Izor 42 G-V



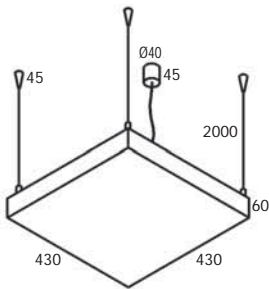
		colour	code
1 - lighting side			21.SV.3071
1 - lighting side dimmable**	1 side PMMA white (other colours see p.244)	ano	DI.SV.3071
1 - lighting side + emergency *	/ 1 side ano		EM.SV.3071

2 - lighting sides			21.SV.3072
2 - lighting sides dimmable**	2 sides PMMA white (other colours see p.244)	ano	DI.SV.3072
2 - lighting sides + emergency *			EM.SV.3072

* 2 x TCL 24W & 1 x TCL 24W with battery 3 x Ni-cd 3,6V + monitor Led
 ** dimmable 4 x TCL 24W with switch-dim

230...240V - 2G11 - 3 x TCL 24W 
gear included

Izor 42 G-H



		colour	code
1 - lighting side up			21.SH.3070
1 - lighting side up dimmable**	up : PMMA white (other colours see p.244)	ano	DI.SH.3070
1 - lighting side up + emergency *	/ down : ano		EM.SH.3070

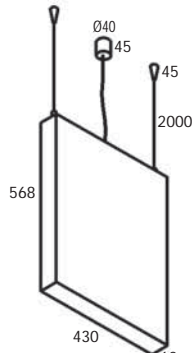
1 - lighting side down			21.SH.3071
1 - lighting side down dimmable**	up : ano / down : PMMA white (other colours see p.244)	ano	DI.SH.3071
1 - lighting side down + emergency *			EM.SH.3071

2 - lighting sides			21.SH.3072
2 - lighting sides dimmable**	up & down : PMMA white (other colours see p.244)	ano	DI.SH.3072
2 - lighting sides + emergency *			EM.SH.3072

* 2 x TCL 24W & 1 x TCL 24W with battery 3 x Ni-cd 3,6V + monitor Led
 ** dimmable 4 x TCL 24W with switch-dim

230...240V - 2G11 - 3 x TCL 24W 
gear included

Izor 56 G-V



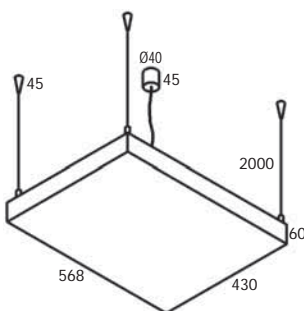
		colour	code
1 - lighting side			21.SV.3081
1 - lighting side dimmable**	1 side PMMA white (other colours see p.244)	ano	DI.SV.3081
1 - lighting side + emergency *	/ 1 side ano		EM.SV.3081

2 - lighting sides			21.SV.3082
2 - lighting sides dimmable**	2 sides PMMA white (other colours see p.244)	ano	DI.SV.3082
2 - lighting sides + emergency *			EM.SV.3082

* 3 x TCL 24W & 1 x TCL 24W with battery 3 x Ni-cd 3,6V + monitor Led
 ** dimmable 4 x TCL 24W with switch-dim

230...240V - 2G11 - 4 x TCL 24W 
gear included

Izor 56 G-H

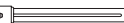


		colour	code
1 - lighting side up			21.SH.3080
1 - lighting side up dimmable**	up : PMMA white (other colours see p.244)	ano	DI.SH.3080
1 - lighting side up + emergency *	/ down : ano		EM.SH.3080

1 - lighting side down			21.SH.3081
1 - lighting side down dimmable**	up : ano / down : PMMA white (other colours see p.244)	ano	DI.SH.3081
1 - lighting side down + emergency *			EM.SH.3081

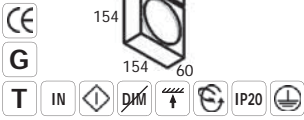
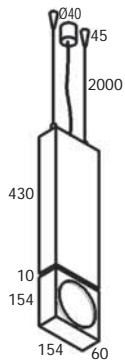
2 - lighting sides			21.SH.3082
2 - lighting sides dimmable**	up & down : PMMA white (other colours see p.244)	ano	DI.SH.3082
2 - lighting sides + emergency *			EM.SH.3082

* 2 x TCL 24W & 1 x TCL 24W with battery 3 x Ni-cd 3,6V + monitor Led
 ** dimmable 4 x TCL 24W with switch-dim

230...240V - 2G11 - 4 x TCL 24W 
gear included



Izor 14 GT-V



1 - lighting side
1 - lighting side + 2 circuit *

1 side PMMA white (other colours see p.244)
/ 1 side ano

colour

code

ano

21.SV.3091

DC.SV.3091

2 - lighting sides
2 - lighting sides + 2 circuit *

2 sides PMMA white
(other colours see p.244)

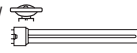
ano

21.SV.3092

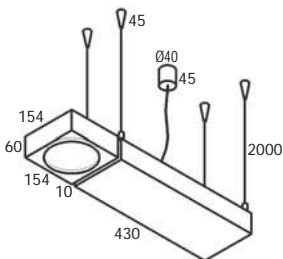
DC.SV.3092

* 2 circuit = separate alimentation for TCL 24W & QR111

230...240V - G53 - 1 x QR111 max. 50W
+ 2G11 - 1 x TCL 24W
gear & tranfo. included



Izor 14 GT-H



1 - lighting side up
1 - lighting side up + 2 circuit *

up : PMMA white (other colours see p.244)
/ down : ano

colour

code

ano

21.SH.3090

DC.SH.3090

1 - lighting side down
1 - lighting side down + 2 circuit *

up : ano / down : PMMA white
(other colours see p.244)

ano

21.SH.3091

DC.SH.3091

2 - lighting sides
2 - lighting sides + 2 circuit *

up & down : PMMA white
(other colours see p.244)

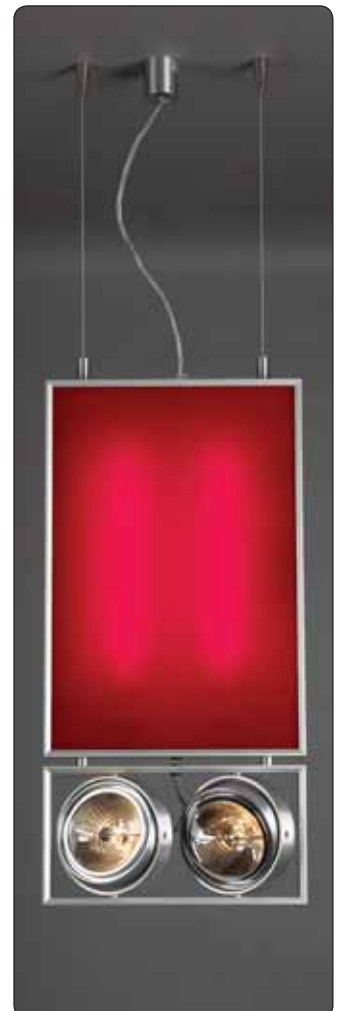
ano

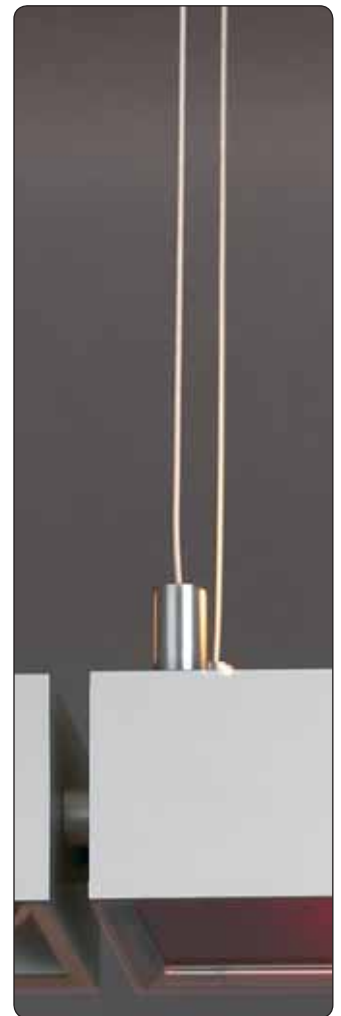
21.SH.3092

DC.SH.3092

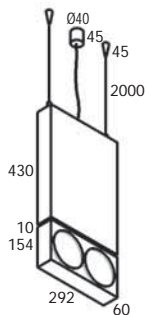
* 2 circuit = separate alimentation for TCL 24W & QR111

230...240V - G53 - 1 x QR111 max. 50W
+ 2G11 - 1 x TCL 24W
gear & tranfo. included





Izor 28 GT-V



	colour	code
1 - lighting side		21.SV.3101
1 - lighting side DIM. + 2 circuit **	1 side PMMA white (other colours see p.244)	DI.SV.3101
1 - lighting side + 2 circuit *	/ 1 side ano	DC.SV.3101

2 - lighting sides		21.SV.3102
2 - lighting sides DIM. + 2 circuit **	2 sides PMMA white	DI.SV.3102
2 - lighting sides + 2 circuit *	(other colours see p.244)	DC.SV.3102

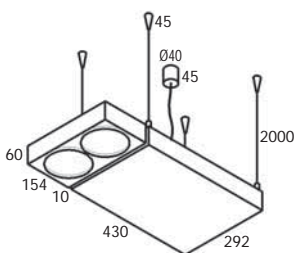
* 2 circuit = separate alimentation for TCL 24W & QR111
 ** dimmable 2 x TCL 24W with switch-dim + 2 circuit

230...240V - G53 - 2 x QR111 max. 50W
 + 2G11 - 2 x TCL 24W

gear & tranfo. included



Izor 28 GT-H



	colour	code
1 - lighting side up		21.SH.3100
1 - lighting side up DIM. + 2 circuit **	up : PMMA white (other colours see p.244)	DI.SH.3100
1 - lighting side up + 2 circuit *	/ down : ano	DC.SH.3100

1 - lighting side down		21.SH.3101
1 - lighting side down DIM. + 2 circuit **	up : ano / down : PMMA white	DI.SH.3101
1 - lighting side down + 2 circuit *	(other colours see p.244)	DC.SH.3101

2 - lighting sides		21.SH.3102
2 - lighting sides DIM. + 2 circuit **	up & down : PMMA white	DI.SH.3102
2 - lighting sides + 2 circuit *	(other colours see p.244)	DC.SH.3102

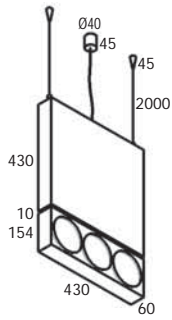
* 2 circuit = separate alimentation for TCL 24W & QR111
 ** dimmable 2 x TCL - 24W with switch-dim + 2 circuit

230...240V - G53 - 2 x QR111 max. 50W
 + 2G11 - 2 x TCL 24W

gear & tranfo. included



Izor 42 GT-V



- 1 - lighting side
- 1 - lighting side DIM. + 2 circuit **
- 1 - lighting side + 2 circuit *

1 side PMMA white (other colours see p.244)
/ 1 side ano

colour

code

21.SV.3111
DI.SV.3111
DC.SV.3111

- 2 - lighting sides
- 2 - lighting sides DIM. + 2 circuit **
- 2 - lighting sides + 2 circuit *

2 sides PMMA white
(other colours see p.244)

ano

21.SV.3112
DI.SV.3112
DC.SV.3112

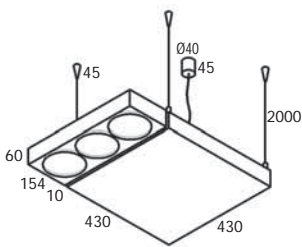
* 2 circuit = separate alimentionation for TCL 24W & QR111
** dimmable 4 x TCL 24W with switch-dim + 2 circuit

230...240V - G53 - 3 x QR111 max. 50W
+ 2G11 - 3 x TCL 24W



gear & tranfo. included

Izor 42 GT-H



- 1 - lighting side up
- 1 - lighting side up DIM. + 2 circuit **
- 1 - lighting side up + 2 circuit *

up : PMMA white (other colours see p.244)
/ down : ano

colour

code

21.SH.3110
DI.SH.3110
DC.SH.3110

- 1 - lighting side down
- 1 - lighting side down DIM. + 2 circuit **
- 1 - lighting side down + 2 circuit *

up : ano / down : PMMA white
(other colours see p.244)

ano

21.SH.3111
DI.SH.3111
DC.SH.3111

- 2 - lighting sides
- 2 - lighting sides DIM. + 2 circuit **
- 2 - lighting sides + 2 circuit *

up & down : PMMA white
(other colours see p.244)

ano

21.SH.3112
DI.SH.3112
DC.SH.3112

* 2 circuit = separate alimentionation for TCL 24W & QR111
** dimmable 4 x TCL 24W with switch-dim + 2 circuit

230...240V - G53 - 3 x QR111 max. 50W
+ 2G11 - 3 x TCL 24W

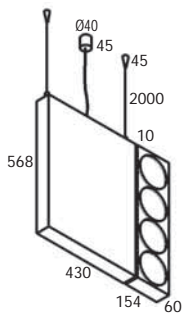


gear & tranfo. included





Izor 56 GT-V



- 1 - lighting side
- 1 - lighting side DIM. + 2 circuit **
- 1 - lighting side + 2 circuit *

1 side white (other colours see p.244)
/ 1 side ano

colour	code
ano	21.SV.3121
ano	DI.SV.3121
ano	DC.SV.3121

- 2 - lighting sides
- 2 - lighting sides DIM. + 2 circuit **
- 2 - lighting sides + 2 circuit *

2 sides white
(other colours see p.244)

colour	code
ano	21.SV.3122
ano	DI.SV.3122
ano	DC.SV.3122

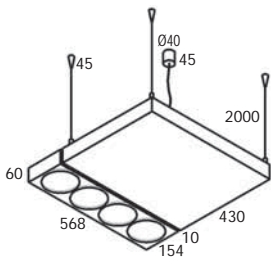
* 2 circuit = separate alimention for TCL 24W & QR111
** dimmable 4 x TCL 24W with switch-dim + 2 circuit

230...240V - G53 - 4 x QR111 max. 50W
+ 2G11 - 4 x TCL 24W



gear & tranfo. included

Izor 56 GT-H



- 1 - lighting side up
- 1 - lighting side up DIM. + 2 circuit **
- 1 - lighting side up + 2 circuit *

up : PMMA white (other colours see p.244)
/ down : ano

colour	code
ano	21.SH.3120
ano	DI.SH.3120
ano	DC.SH.3120

- 1 - lighting side down
- 1 - lighting side down DIM. + 2 circuit **
- 1 - lighting side down + 2 circuit *

up : ano / down : PMMA white
(other colours see p.244)

colour	code
ano	21.SH.3121
ano	DI.SH.3121
ano	DC.SH.3121

- 2 - lighting sides
- 2 - lighting sides DIM. + 2 circuit **
- 2 - lighting sides + 2 circuit *

up & down : PMMA white
(other colours see p.244)

colour	code
ano	21.SH.3122
ano	DI.SH.3122
ano	DC.SH.3122

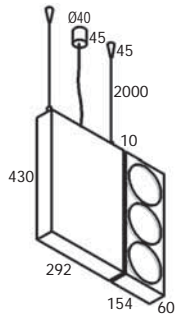
* 2 circuit = separate alimention for TCL 24W & QR111
** dimmable 4 x TCL 24W with switch-dim + 2 circuit

230...240V - G53 - 4 x QR111 max. 50W
+ 2G11 - 4 x TCL 24W



gear & tranfo. included

Izor 28 GT2-V



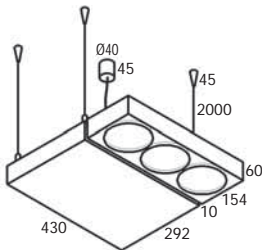
	colour	code
1 - lighting side		21.SV.3141
1 - lighting side DIM. + 2 circuit **	1 side PMMA white (other colours see p.244)	DI.SV.3141
1 - lighting side + 2 circuit *	/ 1 side ano	DC.SV.3141

2 - lighting sides		21.SV.3142
2 - lighting sides DIM. + 2 circuit **	2 sides PMMA white	DI.SV.3142
2 - lighting sides + 2 circuit *	(other colours see p.244)	DC.SV.3142

* 2 circuit = separate alimentation for TCL 24W & QR111
 ** dimmable 2 x TCL 24W with switch-dim + 2 circuit

230...240V - G53 - 3 x QR111 max. 50W
 + 2G11 - 2 x TCL 24W
gear & tranfo. included

Izor 28 GT2-H



	colour	code
1 - lighting side up		21.SH.3140
1 - lighting side up DIM. + 2 circuit **	up : PMMA white (other colours see p.244)	DI.SH.3140
1 - lighting side up + 2 circuit *	/ down : ano	DC.SH.3140

1 - lighting side down		21.SH.3141
1 - lighting side down DIM. + 2 circuit **	up : ano / down : PMMA white	DI.SH.3141
1 - lighting side down + 2 circuit *	(other colours see p.244)	DC.SH.3141

2 - lighting sides		21.SH.3142
2 - lighting sides DIM. + 2 circuit **	up & down : PMMA white	DI.SH.3142
2 - lighting sides + 2 circuit *	(other colours see p.244)	DC.SH.3142

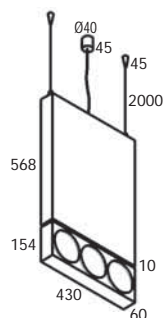
* 2 circuit = separate alimentation for TCL 24W & QR111
 ** dimmable 2 x TCL 24W with switch-dim + 2 circuit

230...240V - G53 - 3 x QR111 max. 50W
 + 2G11 - 2 x TCL 24W
gear & tranfo. included





Izor 56 GT2-V



		colour	code
1 - lighting side			21.SV.3151
1 - lighting side DIM. + 2 circuit **	1 side PMMA white (other colours see p.244)	ano	DI.SV.3151
1 - lighting side + 2 circuit *	/ 1 side ano		DC.SV.3151

2 - lighting sides			21.SV.3152
2 - lighting sides DIM. + 2 circuit **	2 sides PMMA white	ano	DI.SV.3152
2 - lighting sides + 2 circuit *	(other colours see p.244)		DC.SV.3152

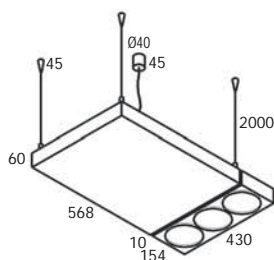
* 2 circuit = separate alimention for TCL 24W & QR111
 ** dimmable 4 x TCL 24W with switch-dim + 2 circuit

230...240V - G53 - 3 x QR111 max. 50W
 + 2G11 - 4 x TCL 24W

gear & tranfo. included



Izor 56 GT2-H



		colour	code
1 - lighting side up			21.SH.3150
1 - lighting side up DIM. + 2 circuit **	up : PMMA white (other colours see p.244)	ano	DI.SH.3150
1 - lighting side up + 2 circuit *	/ down : ano		DC.SH.3150

1 - lighting side down			21.SH.3151
1 - lighting side down DIM. + 2 circuit **	up : ano / down : PMMA white	ano	DI.SH.3151
1 - lighting side down + 2 circuit *	(other colours see p.244)		DC.SH.3151

2 - lighting sides			21.SH.3152
2 - lighting sides DIM. + 2 circuit **	up & down : PMMA white	ano	DI.SH.3152
2 - lighting sides + 2 circuit *	(other colours see p.244)		DC.SH.3152

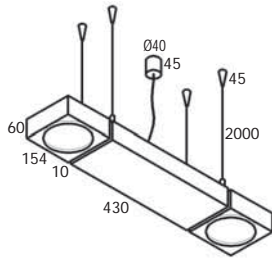
* 2 circuit = separate alimention for TCL 24W & QR111
 ** dimmable 4 x TCL 24W with switch-dim + 2 circuit

230...240V - G53 - 3 x QR111 max. 50W
 + 2G11 - 4 x TCL 24W

gear & tranfo. included



Izor 14 GT3-H



1 - lighting side up
1 - lighting side up + 2 circuit *

up : PMMA white (other colours see p.244)
/ down : ano

colour

code

ano
21.SH.3160
DC.SH.3160

1 - lighting side down
1 - lighting side down + 2 circuit *

up : ano / down : PMMA white
(other colours see p.244)

ano
21.SH.3161
DC.SH.3161

2 - lighting sides
2 - lighting sides + 2 circuit *

up & down : PMMA white
(other colours see p.244)

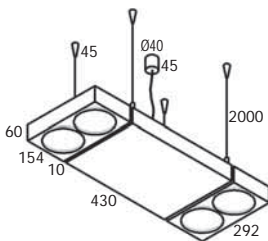
ano
21.SH.3162
DC.SH.3162

* 2 circuit = separate alimentation for TCL 24W & QR111

230...240V - G53 - 2 x QR111 max. 50W
+ 2G11 - 1 x TCL 24W
gear & tranfo. included



Izor 28 GT3-H



1 - lighting side up
1 - lighting side up DIM. + 2 circuit **
1 - lighting side up + 2 circuit *

up : PMMA white (other colours see p.244)
/ down : ano

colour

code

ano
21.SH.3170
DI.SH.3170
DC.SH.3170

1 - lighting side down
1 - lighting side down DIM. + 2 circuit **
1 - lighting side down + 2 circuit *

up : ano / down : PMMA white
(other colours see p.244)

ano
21.SH.3171
DI.SH.3171
DC.SH.3171

2 - lighting sides
2 - lighting sides DIM. + 2 circuit **
2 - lighting sides + 2 circuit *

up & down : PMMA white
(other colours see p.244)

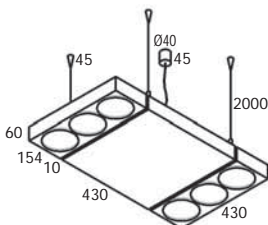
ano
21.SH.3172
DI.SH.3172
DC.SH.3172

* 2 circuit = separate alimentation for TCL 24W & QR111
** dimmable 2 x TCL 24W with switch-dim + 2 circuit

230...240V - G53 - 4 x QR111 max. 50W
+ 2G11 - 2 x TCL 24W
gear & tranfo. included



Izor 42 GT3-H



1 - lighting side up
1 - lighting side up + 2 circuit *

up : PMMA white (other colours see p.244)
/ down : ano

colour

code

ano
21.SH.3180
DC.SH.3180

1 - lighting side down
1 - lighting side down + 2 circuit *

up : ano / down : PMMA white
(other colours see p.244)

ano
21.SH.3181
DC.SH.3181

2 - lighting sides
2 - lighting sides + 2 circuit *

up & down : PMMA white
(other colours see p.244)

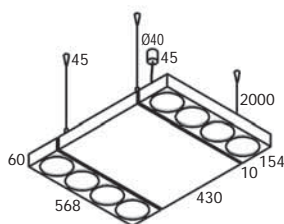
ano
21.SH.3182
DC.SH.3182

* 2 circuit = separate alimentation for TCL 24W & QR111

230...240V - G53 - 6 x QR111 max. 50W
+ 2G11 - 3 x TCL 24W
gear & tranfo. included



Izor 56 GT3-H



1 - lighting side up
1 - lighting side up DIM. + 2 circuit **
1 - lighting side up + 2 circuit *

up : PMMA white (other colours see p.244)
/ down : ano

colour

code

ano
21.SH.3190
DI.SH.3190
DC.SH.3190

1 - lighting side down
1 - lighting side down DIM. + 2 circuit **
1 - lighting side down + 2 circuit *

up : ano / down : PMMA white
(other colours see p.244)

ano
21.SH.3191
DI.SH.3191
DC.SH.3191

2 - lighting sides
2 - lighting sides DIM. + 2 circuit **
2 - lighting sides + 2 circuit *

up & down : PMMA white
(other colours see p.244)

ano
21.SH.3192
DI.SH.3192
DC.SH.3192

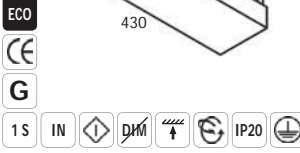
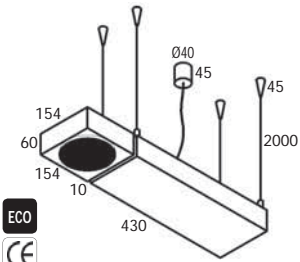
* 2 circuit = separate alimentation for TCL 24W & QR111
** dimmable 4 x TCL 24W with switch-dim + 2 circuit

230...240V - G53 - 8 x QR111 max. 50W
+ 2G11 - 4 x TCL 24W
gear & tranfo. included





Izor 14 GT-H 1xCDM-R111



1 - lighting side down
1 - lighting side down + 2 circuit *

up : ano / down : PMMA white
(other colours see p.244)

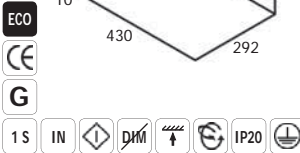
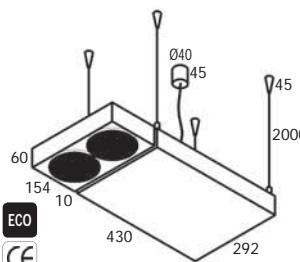
colour	code
ano	CD.SH.0141
ano	DC.SH.9141

* 2 circuit = separate alimention for TCL 24W & CDM-R111

230...240V - GX8,5 - 1 x CDM-R111 max. 35W
+ 2G11 - 1 x TCL 24W
gear & HID/CDM gear included



Izor 28 GT-H 2xCDM-R111



1 - lighting side down
1 - lighting side down + 2 circuit *

up : ano / down : PMMA white
(other colours see p.244)

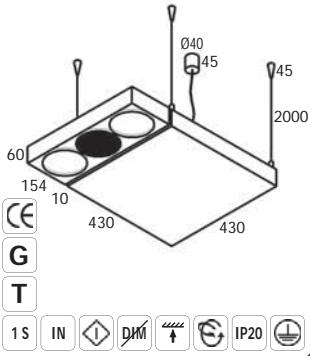
colour	code
ano	CD.SH.0281
ano	DC.SH.9281

* 2 circuit = separate alimention for TCL 24W & CDM-R111

230...240V - GX8,5 - 2 x CDM-R111 max. 35W
+ 2G11 - 2 x TCL 24W
gear & HID/CDM gear included



Izor 42 GT-H 1xCDM-R111



1 - lighting side down
1 - lighting side down + 2 circuit *

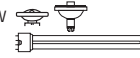
up : ano / down : PMMA white
(other colours see p.244)

colour	code
ano	CD.SH.0421
ano	DC.SH.9421

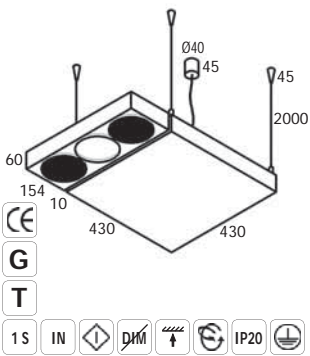
* 2 circuit = separate alimention for TCL 24W & CDM-R111 + QR111

230...240V - G53 - 2 x QR111 max. 50W + GX8,5 - 1 x CDM-R111 max. 35W
+ 2G11 - 3 x TCL 24W

gear, transfo. & HID/CDM gear included



Izor 42 GT-H 2xCDM-R111



1 - lighting side down
1 - lighting side down + 2 circuit *

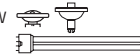
up : ano / down : PMMA white
(other colours see p.244)

colour	code
ano	CD.SH.0422
ano	DC.SH.9422

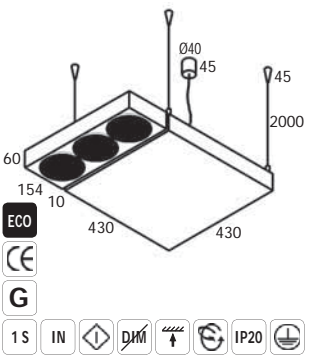
* 2 circuit = separate alimention for TCL 24W & CDM-R111 + QR111

230...240V - G53 - 1 x QR111 max. 50W + GX8,5 - 2 x CDM-R111 max. 35W
+ 2G11 - 3 x TCL 24W

gear, transfo. & HID/CDM gear included



Izor 42 GT-H 3xCDM-R111



1 - lighting side down
1 - lighting side down + 2 circuit *

up : ano / down : PMMA white
(other colours see p.244)

colour	code
ano	CD.SH.0423
ano	DC.SH.9423

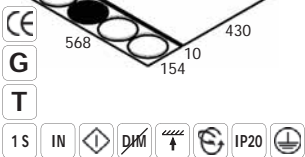
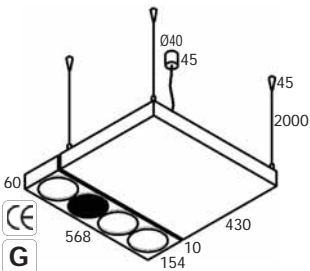
* 2 circuit = separate alimention for TCL 24W & CDM-R111

230...240V - GX8,5 - 3 x CDM-R111 max. 35W
+ 2G11 - 3 x TCL 24W

gear & HID/CDM gear included



Izor 56 GT-H 1xCDM-R111



1 - lighting side down
1 - lighting side down + 2 circuit *

up : ano / down : PMMA white
(other colours see p.244)

colour	code
ano	CD.SH.0561
ano	DC.SH.9561

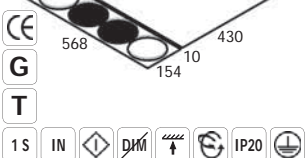
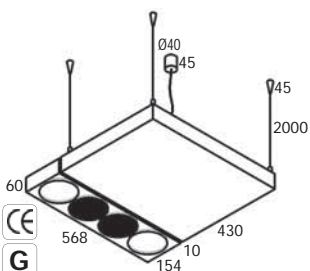
* 2 circuit = separate alimention for TCL 24W & CDM-R111 + QR111

230...240V - G53 - 3 x QR111 max. 50W + GX8,5 - 1 x CDM-R111 max. 35W
+ 2G11 - 4 x TCL 24W

gear, transfo. & HID/CDM gear included



Izor 56 GT-H 2xCDM-R111



1 - lighting side down
1 - lighting side down + 2 circuit *

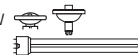
up : ano / down : PMMA white
(other colours see p.244)

colour	code
ano	CD.SH.0562
ano	DC.SH.9562

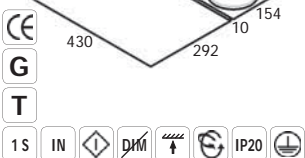
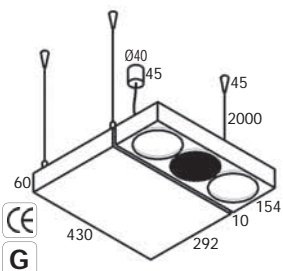
* 2 circuit = separate alimention for TCL 24W & CDM-R111 + QR111

230...240V - G53 - 2 x QR111 max. 50W + GX8,5 - 2 x CDM-R111 max. 35W
+ 2G11 - 4 x TCL 24W

gear, transfo. & HID/CDM gear included



Izor 28 GT2-H 1xCDM-R111



1 - lighting side down
1 - lighting side down + 2 circuit *

up : ano / down : PMMA white
(other colours see p.244)

colour	code
ano	CD.SH.2281
ano	DC.SH.8281

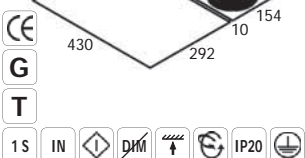
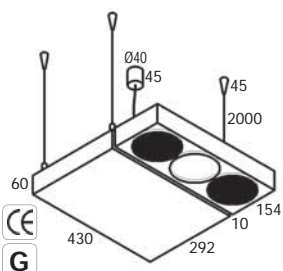
* 2 circuit = separate alimention for TCL 24W & CDM-R111 + QR111

230...240V - G53 - 2 x QR111 max. 50W + GX8,5 - 1 x CDM-R111 max. 35W
+ 2G11 - 2 x TCL 24W

gear, transfo. & HID/CDM gear included



Izor 28 GT2-H 2xCDM-R111



1 - lighting side down
1 - lighting side down + 2 circuit *

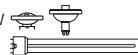
up : ano / down : PMMA white
(other colours see p.244)

colour	code
ano	CD.SH.2282
ano	DC.SH.9282

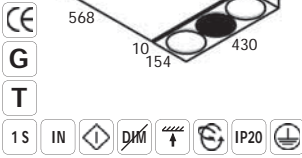
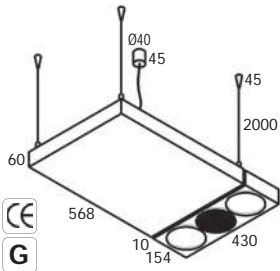
* 2 circuit = separate alimention for TCL 24W & CDM-R111 + QR111

230...240V - G53 - 1 x QR111 max. 50W + GX8,5 - 2 x CDM-R111 max. 35W
+ 2G11 - 4 x TCL 24W

gear, transfo. & HID/CDM gear included



Izor 56 GT2-H 1xCDM-R111



1 - lighting side down
1 - lighting side down + 2 circuit *

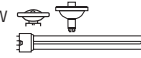
up : ano / down : PMMA white
(other colours see p.244)

colour	code
ano	CD.SH.2561
ano	DC.SH.8561

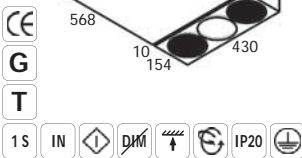
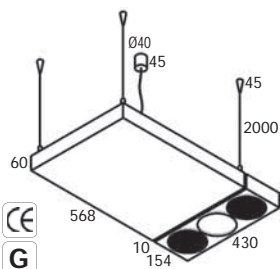
* 2 circuit = separate alimentation for TCL 24W & CDM-R111 + QR111

230...240V - G53 - 2 x QR111 max. 50W + GX8,5 - 1 x CDM-R111 max. 35W
+ 2G11 - 4 x TCL 24W

gear, transfo. & HID/CDM gear included



Izor 56 GT2-H 2xCDM-R111



1 - lighting side down
1 - lighting side down + 2 circuit *

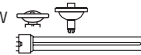
up : ano / down : PMMA white
(other colours see p.244)

colour	code
ano	CD.SH.2562
ano	DC.SH.9562

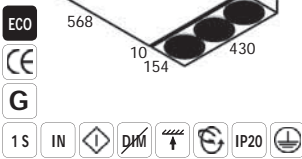
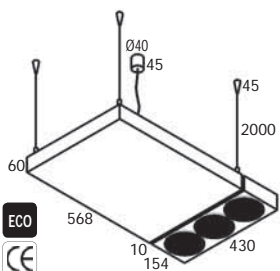
* 2 circuit = separate alimentation for TCL 24W & CDM-R111 + QR111

230...240V - G53 - 1 x QR111 max. 50W + GX8,5 - 2 x CDM-R111 max. 35W
+ 2G11 - 4 x TCL 24W

gear, transfo. & HID/CDM gear included



Izor 56 GT2-H 3xCDM-R111



1 - lighting side down
1 - lighting side down + 2 circuit *

up : ano / down : PMMA white
(other colours see p.244)

colour	code
ano	CD.SH.2563
ano	DC.SH.9563

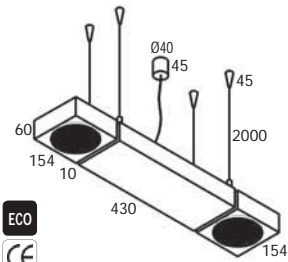
* 2 circuit = separate alimentation for TCL 24W & CDM-R111

230...240V - GX8,5 - 3 x CDM-R111 max. 35W
+ 2G11 - 4 x TCL 24W

gear & HID/CDM gear included



Izor 14 GT3-H 2xCDM-R111



1 - lighting side down
1 - lighting side down + 2 circuit *

up : ano / down : PMMA white
(other colours see p.244)

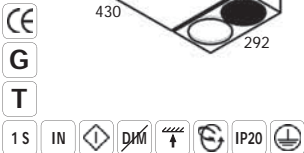
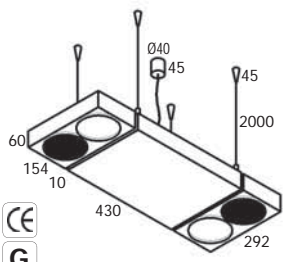
colour	code
ano	CD.SH.3142
ano	DC.SH.8142

* 2 circuit = separate alimentation for TCL 24W & CDM-R111

230...240V - GX8,5 - 2 x CDM-R111 max. 35W
+ 2G11 - 1 x TCL 24W
gear & HID/CDM gear included



Izor 28 GT3-H 2xCDM-R111



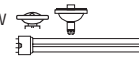
1 - lighting side down
1 - lighting side down + 2 circuit *

up : ano / down : PMMA white
(other colours see p.244)

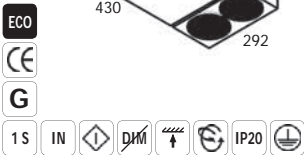
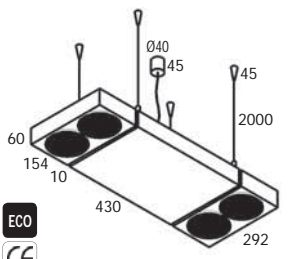
colour	code
ano	CD.SH.3282
ano	DC.SH.8282

* 2 circuit = separate alimentation for TCL 24W & CDM-R111 + QR111

230...240V - G53 - 2 x QR111 max. 50W + GX8,5 - 2 x CDM-R111 max. 35W
+ 2G11 - 2 x TCL 24W
gear, transfo. & HID/CDM gear included



Izor 28 GT3-H 4xCDM-R111



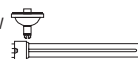
1 - lighting side down
1 - lighting side down + 2 circuit *

up : ano / down : PMMA white
(other colours see p.244)

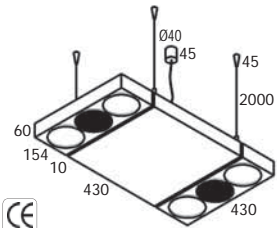
colour	code
ano	CD.SH.3284
ano	DC.SH.8284

* 2 circuit = separate alimentation for TCL 24W & CDM-R111

230...240V - GX8,5 - 4 x CDM-R111 max. 35W
+ 2G11 - 2 x TCL 24W
gear & HID/CDM gear included



Izor 42 GT3-H 2xCDM-R111



1 - lighting side down
1 - lighting side down + 2 circuit *

up : ano / down : PMMA white
(other colours see p.244)

colour	code
ano	CD.SH.3422
ano	DC.SH.8422

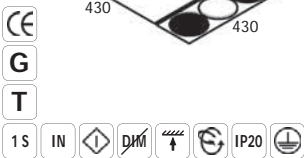
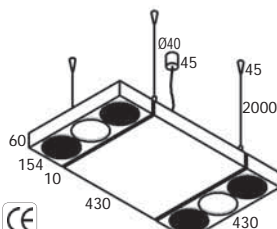
* 2 circuit = separate alimentation for TCL 24W & CDM-R111 + QR111

230...240V - G53 - 4 x QR111 max. 50W + GX8,5 - 2 x CDM-R111 max. 35W
+ 2G11 - 3 x TCL 24W

gear, transfo. & HID/CDM gear included



Izor 42 GT3-H 4xCDM-R111



1 - lighting side down
1 - lighting side down + 2 circuit *

up : ano / down : PMMA white
(other colours see p.244)

colour	code
ano	CD.SH.3424
ano	DC.SH.8424

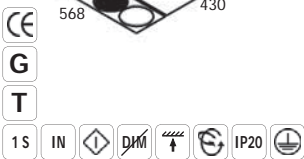
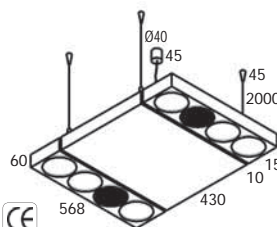
* 2 circuit = separate alimentation for TCL 24W & CDM-R111 + QR111

230...240V - G53 - 2 x QR111 max. 50W + GX8,5 - 4 x CDM-R111 max. 35W
+ 2G11 - 3 x TCL 24W

gear, transfo. & HID/CDM gear included



Izor 56 GT3-H 2xCDM-R111



1 - lighting side down
1 - lighting side down + 2 circuit *

up : ano / down : PMMA white
(other colours see p.244)

colour	code
ano	CD.SH.3562
ano	DC.SH.8562

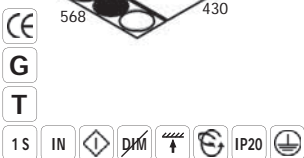
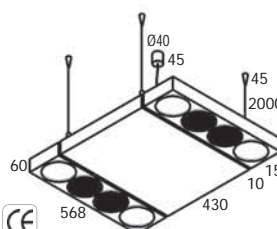
* 2 circuit = separate alimentation for TCL 24W & CDM-R111 + QR111

230...240V - G53 - 6 x QR111 max. 50W + GX8,5 - 2 x CDM-R111 max. 35W
+ 2G11 - 4 x TCL 24W

gear, transfo. & HID/CDM gear included



Izor 56 GT3-H 4xCDM-R111



1 - lighting side down
1 - lighting side down + 2 circuit *

up : ano / down : PMMA white
(other colours see p.244)

colour	code
ano	CD.SH.3563
ano	DC.SH.8563

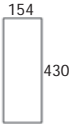
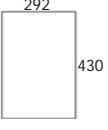
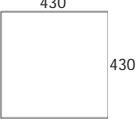

* 2 circuit = separate alimentation for TCL 24W & CDM-R111 + QR111

230...240V - G53 - 4 x QR111 max. 50W + GX8,5 - 4 x CDM-R111 max. 35W
+ 2G11 - 4 x TCL 24W

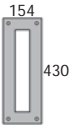
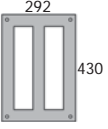
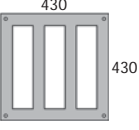
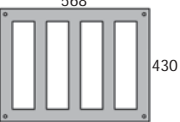
gear, transfo. & HID/CDM gear included



Izor supplement side-down

			colour side	code
	lighting side down for IZOR 14	PMMA	red blue green orange fuchsia	21.AC.3011 21.AC.4011 21.AC.5011 21.AC.6011 21.AC.7011
	lighting side down for IZOR 28	PMMA	red blue green orange fuchsia	21.AC.3021 21.AC.4021 21.AC.5021 21.AC.6021 21.AC.7021
	lighting side down for IZOR 42	PMMA	red blue green orange fuchsia	21.AC.3031 21.AC.4031 21.AC.5031 21.AC.6031 21.AC.7031
	lighting side down for IZOR 56	PMMA	red blue green orange fuchsia	21.AC.3041 21.AC.4041 21.AC.5041 21.AC.6041 21.AC.7041

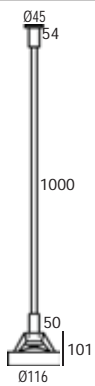
Izor supplement side-up

			colour side	code
	lighting side up for IZOR 14	PMMA	red blue green orange fuchsia	21.AC.3010 21.AC.4010 21.AC.5010 21.AC.6010 21.AC.7010
	lighting side up for IZOR 28	PMMA	red blue green orange fuchsia	21.AC.3020 21.AC.4020 21.AC.5020 21.AC.6020 21.AC.7020
	lighting side up for IZOR 42	PMMA	red blue green orange fuchsia	21.AC.3030 21.AC.4030 21.AC.5030 21.AC.6030 21.AC.7030
	lighting side up for IZOR 56	PMMA	red blue green orange fuchsia	21.AC.3040 21.AC.4040 21.AC.5040 21.AC.6040 21.AC.7040






Kwa-Kwa + S



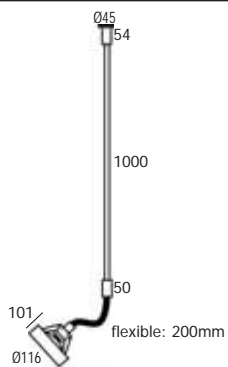
Kwa-Kwa+S 1000mm

colour
alu

code
21.IN.3205

12V - G53 - 1xQR111 - max. 1 x 75W 
transfo. excluded
 Cover Kwa-Kwa see p.79


Kwa-Kwa 1F + S



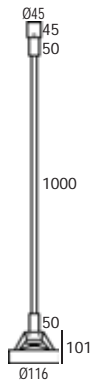
Kwa-Kwa 1F+S 1000mm

colour
alu + black silicone

code
21.IN.3207

12V - G53 - 1xQR111 - max. 1 x 75W 
transfo. excluded
 Cover Kwa-Kwa see p.79

Kwa-Kwa + BS




Kwa-Kwa + BS 1000mm

colour

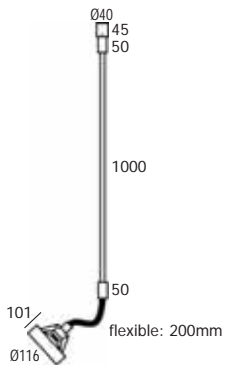
alu

code

21.SO.3205

12V - G53 - 1xQR111 - max. 1 x 75W 
transfo. excluded

Kwa-Kwa 1F + BS




Kwa-Kwa 1F + BS 1000mm

colour

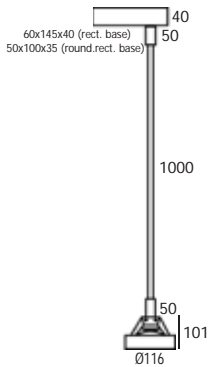
alu + black silicone

code

21.SO.3207

12V - G53 - 1xQR111 - max. 1 x 75W 
transfo. excluded

Kwa-Kwa 1 + ST



Kwa Kwa 1 + ST 1000mm
+ **rectangular base**

colour


alu

code

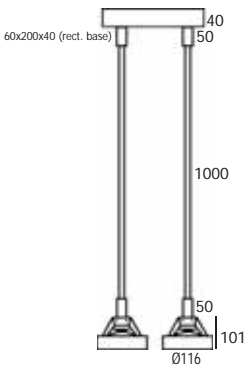
21.SO.3209

Kwa Kwa 1 + ST 1000mm
+ **rounded rectangular base**

21.SO.3309

230...240V - G53 - 1 x QR111 - max. 1 x 50W 
transfo. included

Kwa-Kwa 2 + ST




Kwa-Kwa 2 + ST 1000mm
+ **rectangular base**

colour

alu

code


21.SO.3215

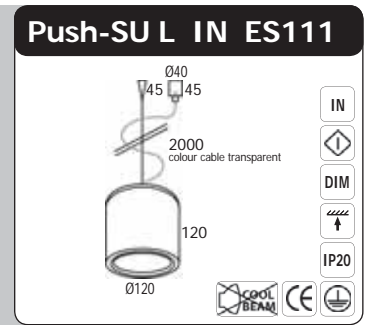
230...240V - G53 - 2 x QR111 - max. 2 x 50W 
transfo. included



		colour	code
L with suspension kit	without glass	alu	PU.SU.3107


L with suspension kit	without glass	alu + white	PU.SU.1107

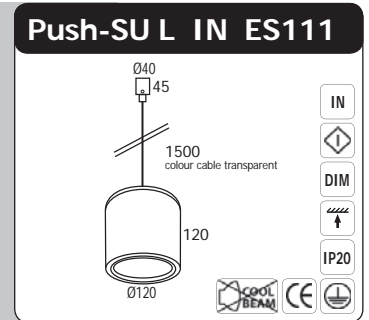
230...240V - Gu10 - Hi-spot ES111 - max. 1 x 75W 
L = large H. 120mm.



		colour	code
L without suspension kit	without glass	alu	PU.SU.3106


L without suspension kit	without glass	alu + white	PU.SU.1106

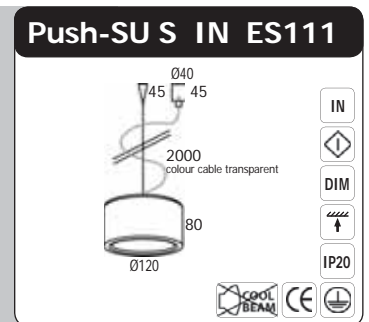
230...240V - Gu10 - Hi-spot ES111 - max. 1 x 75W 
L = large H. 120mm.



		colour	code
S with suspension kit	without glass	alu	PU.SU.3103


S with suspension kit	without glass	alu + white	PU.SU.1103

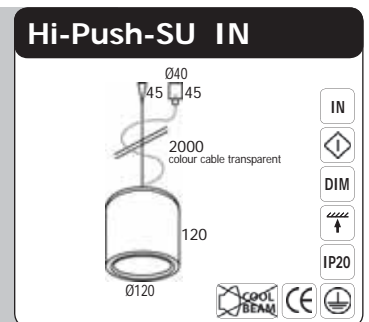
230...240V - Gu10 - Hi-spot ES111 - max. 1 x 75W 
S = small H. 80mm.



		colour	code
L with suspension kit	without glass	alu	21.SU.3108


L with suspension kit	without glass	alu + white	21.SU.1108

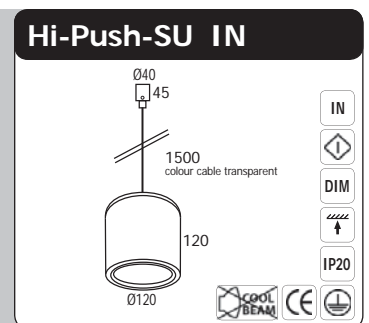
230...240V - E27 - Hi-spot 95 - max. 1 x 100W 
L = large H. 120mm.



		colour	code
L without suspension kit	without glass	alu	21.SU.3107


L without suspension kit	without glass	alu + white	21.SU.1107

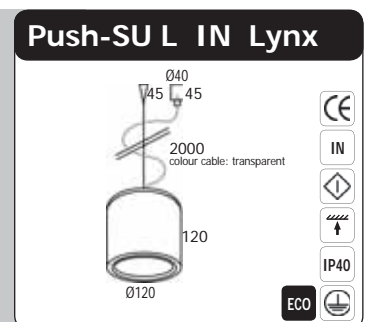
230...240V - E27 - Hi-spot 95 - max. 1 x 100W 
L = large H. 120mm.



		colour	code
L with suspension kit	with frosted glass	alu	PU.SU.3191

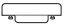
L with suspension kit	with frosted glass	alu + white	PU.SU.1191

230V...240V - GX 53 - 1 x Micro lynx F or Micro lynx LED 
L = large H. 120mm.



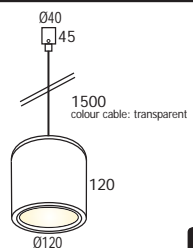
		colour	code
L without suspension kit	with frosted glass	alu	PU.SU.3185

L without suspension kit	with frosted glass	alu + white	PU.SU.1185

230V...240V - GX 53 - 1 x Micro lynx F or Micro lynx LED 

L = large H. 120mm.

Push-SU L IN Lynx

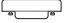


Ø40
45
1500
colour cable: transparent
120
Ø120

CE
IN
IP40
ECO

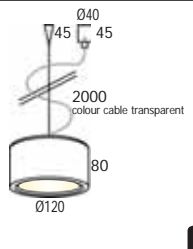
		colour	code
S with suspension kit	with frosted glass	alu	PU.SU.3190

S with suspension kit	with frosted glass	alu + white	PU.SU.1190

230V...240V - GX 53 - 1 x Micro lynx F or Micro lynx LED 

S = small H. 80mm.

Push-SU S IN Lynx

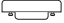


Ø40
45
45
2000
colour cable transparent
80
Ø120

CE
IN
IP40
ECO

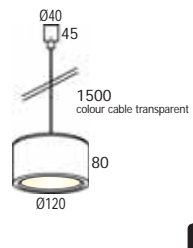
		colour	code
S without suspension kit	with frosted glass	alu	PU.SU.3184

S without suspension kit	with frosted glass	alu + white	PU.SU.1184

230V...240V - GX 53 - 1 x Micro lynx F or Micro lynx LED 

S = small H. 80mm.

Push-SU S IN Lynx



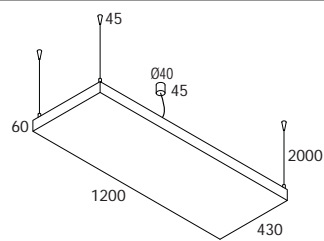
Ø40
45
45
1500
colour cable transparent
80
Ø120

CE
IN
IP40
ECO






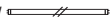
Tizor 1200-H




ECO



		colour	code
Tizor 1200-H (2 x 28W)	2 sides PMMA white	ano	TI.SH.1251
Tizor 1200-H (4 x 28W)			TI.SH.1253
230...240V - G5 - T5 - HE 28W 			

Tizor 1200-H (2 x 54W)	2 sides PMMA white	ano	TI.SH.1252
Tizor 1200-H (4 x 54W)			TI.SH.1254
230...240V - G5 - T5 - HO 54W 			

Tizor 1200-H (2 x 54W) dimmable *	2 sides PMMA white	ano	TI.SH.1255
Tizor 1200-H (4 x 54W) dimmable *			TI.SH.1256
230...240V - G5 - T5 - HO 54W 			

* dimmable 1-10V (switch-dim on demand)
gear included



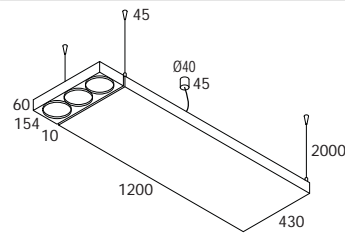
Tizor 2400-H



		colour	code
Tizor 2400-H (4 x 28W)	2 sides PMMA white	ano	T1.SH.2451
Tizor 2400-H (6 x 28W)			T1.SH.2453
230...240V - G5 - T5 - HE 28W			



Tizor 2400-H (4 x 54W)	2 sides PMMA white	ano	T1.SH.2452
Tizor 2400-H (6 x 54W)			T1.SH.2454
230...240V - G5 - T5 - HO 54W			



Tizor 2400-H (4 x 54W) dimmable *	2 sides PMMA white	ano	T1.SH.2455
Tizor 2400-H (6 x 54W) dimmable *			T1.SH.2456
230...240V - G5 - T5 - HO 54W			
* dimmable 1-10V (switch-dim on demand)			
gear included			

Tizor 1200 GT1-H



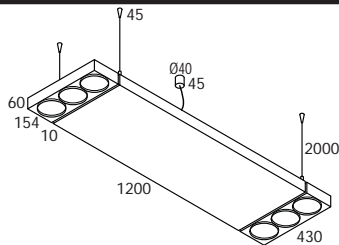
	colour	code
Tizor 1200 GT1-H (2 x 28W)		TI.SH.1261
Tizor 1200 GT1-H (2 x 28W) + 2 circuit *		TI.DH.1261
Tizor 1200 GT1-H (4 x 28W)	2 sides PMMA white	TI.SH.1263
Tizor 1200 GT1-H (4 x 28W) + 2 circuit *	ano	TI.DH.1263
230...240V - G53 - 3 x QR111 - max. 50W  + G5 - T5 - HE 28W 		



Tizor 1200 GT1-H (2 x 54W)		TI.SH.1262
Tizor 1200 GT1-H (2 x 54W) + 2 circuit *		TI.DH.1262
Tizor 1200 GT1-H (4 x 54W)	2 sides PMMA white	TI.SH.1264
Tizor 1200 GT1-H (4 x 54W) + 2 circuit *	ano	TI.DH.1264
230...240V - G53 - 3 x QR111 - max. 50W  + G5 - T5 - HO 54W 		



Tizor 1200 GT1-H (2 x 54W) DIM. + 2 circuit **		TI.SH.1265
Tizor 1200 GT1-H (4 x 54W) DIM. + 2 circuit **	2 sides PMMA white	TI.SH.1266
230...240V - G53 - 3 x QR111 - max. 50W  + G5 - T5 - HO 54W 		



* 2 circuit = separate alimentation for T5 & QR111
 ** dimmable 1-10V + 2 circuit (switch-dim on demand)
gear & tranfo. included

Tizor 1200 GT2-H



	colour	code
Tizor 1200 GT2-H (2 x 28W)		TI.SH.1271
Tizor 1200 GT2-H (2 x 28W) + 2 circuit *		TI.DH.1271
Tizor 1200 GT2-H (4 x 28W)	2 sides PMMA white	TI.SH.1273
Tizor 1200 GT2-H (4 x 28W) + 2 circuit *	ano	TI.DH.1273
230...240V - G53 - 6 x QR111 - max. 50W  + G5 - T5 - HE 28W 		

Tizor 1200 GT2-H (2 x 54W)		TI.SH.1272
Tizor 1200 GT2-H (2 x 54W) + 2 circuit *		TI.DH.1272
Tizor 1200 GT2-H (4 x 54W)	2 sides PMMA white	TI.SH.1274
Tizor 1200 GT2-H (4 x 54W) + 2 circuit *	ano	TI.DH.1274
230...240V - G53 - 6 x QR111 - max. 50W  + G5 - T5 - HO 54W 		

Tizor 1200 GT2-H (2 x 54W) DIM. + 2 circuit **		TI.SH.1275
Tizor 1200 GT2-H (4 x 54W) DIM. + 2 circuit **	2 sides PMMA white	TI.SH.1276
230...240V - G53 - 6 x QR111 - max. 50W  + G5 - T5 - HO 54W 		

* 2 circuit = separate alimentation for T5 & QR111
 ** dimmable 1-10V + 2 circuit (switch-dim on demand)
gear & tranfo. included

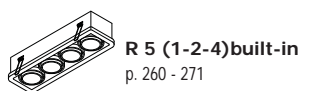




Mini-pi
p. 256 - 257



Pin-in
p. 258 - 259



R 5 (1-2-4)built-in
p. 260 - 271



R 07 built-in
p. 272



R 70 built-in
p. 273

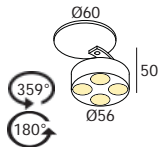


R 110 built-in
p. 274 - 275



R 111 built-in
p. 276 - 278

Mini-pi 1 in LED



Cold white

colour	code	code	code
black	MI.PI.1226/ N	MI.PI.1226/ M	MI.PI.1226/ W
white	MI.PI.1116/ N	MI.PI.1116/ M	MI.PI.1116/ W
grey	MI.PI.1446/ N	MI.PI.1446/ M	MI.PI.1446/ W

350mA - Powered - 4 x 1W
power supply excluded / powered included
 aperture Ø45mm

N = Narrow beam: ± 10°
M = Medium beam: ± 25°
W = Wide beam: ± 40°

Warm white

colour	code	code	code
black	MI.PI.1225/ N	MI.PI.1225/ M	MI.PI.1225/ W
white	MI.PI.1115/ N	MI.PI.1115/ M	MI.PI.1115/ W
grey	MI.PI.1445/ N	MI.PI.1445/ M	MI.PI.1445/ W

350mA - Powered - 4 x 1W
power supply excluded / powered included
 aperture Ø45mm

N = Narrow beam: ± 10°
M = Medium beam: ± 25°
W = Wide beam: ± 40°





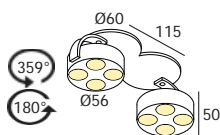
Cold white

colour	code	code	code
black	MI.PI.2228/ N	MI.PI.2228/ M	MI.PI.2228/ W
white	MI.PI.2118/ N	MI.PI.2118/ M	MI.PI.2118/ W
grey	MI.PI.2448/ N	MI.PI.2448/ M	MI.PI.2448/ W

350mA - Poweredled - 8 x 1W
power supply excluded / powered included
 aperture 2 x Ø45mm

N = Narrow beam: ± 10°
M = Medium beam: ± 25°
W = Wide beam: ± 40°

Mini-pi 2 in LED



Warm white

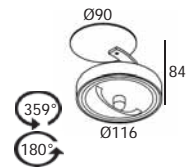
colour	code	code	code
black	MI.PI.2227/ N	MI.PI.2227/ M	MI.PI.2227/ W
white	MI.PI.2117/ N	MI.PI.2117/ M	MI.PI.2117/ W
grey	MI.PI.2447/ N	MI.PI.2447/ M	MI.PI.2447/ W

350mA - Poweredled - 8 x 1W
power supply excluded / powered included
 aperture 2 x Ø45mm


N = Narrow beam: ± 10°
M = Medium beam: ± 25°
W = Wide beam: ± 40°



Pin-in 1

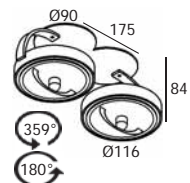


colour	code
black	PI.IN.2101
white	PI.IN.1101
grey	PI.IN.4101
chrome	PI.IN.9101
gold	PI.IN.8101


12V - G53 - QR111 - max. 1 x 100W 
transfo. excluded
 aperture Ø60mm



Pin-in 2



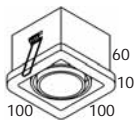
colour	code
black	PI.IN.2102
white	PI.IN.1102
grey	PI.IN.4102
chrome	PI.IN.9102
gold	PI.IN.8102

12V - G53 - QR111 - max. 2 x 100W 
transfo. excluded
 aperture 2 x Ø60mm





R 51 built-in



colour interior	colour frame	colour ring	code
black	black	black	MR.IN.1222
black	black	white	MR.IN.1221
black	black	grey	MR.IN.1224
black	black	chrome	MR.IN.1229

black	white	black	MR.IN.1212
black	white	white	MR.IN.1211
black	white	grey	MR.IN.1214
black	white	chrome	MR.IN.1219

black	grey	black	MR.IN.1242
black	grey	white	MR.IN.1241
black	grey	grey	MR.IN.1244
black	grey	chrome	MR.IN.1249

black	chrome	black	MR.IN.1292
black	chrome	white	MR.IN.1291
black	chrome	grey	MR.IN.1294
black	chrome	chrome	MR.IN.1299

white	black	black	MR.IN.1122
white	black	white	MR.IN.1121
white	black	grey	MR.IN.1124
white	black	chrome	MR.IN.1129

white	white	black	MR.IN.1112
white	white	white	MR.IN.1111
white	white	grey	MR.IN.1114
white	white	chrome	MR.IN.1119

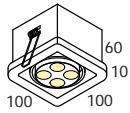
white	grey	black	MR.IN.1142
white	grey	white	MR.IN.1141
white	grey	grey	MR.IN.1144
white	grey	chrome	MR.IN.1149

white	chrome	black	MR.IN.1192
white	chrome	white	MR.IN.1191
white	chrome	grey	MR.IN.1194
white	chrome	chrome	MR.IN.1199

12V - GU 5,3 QR-CBC51 - max. 1 x 50W
 (no cool-beam, only alu reflector)
transfo. excluded
 aperture L.80mm W.92mm H.64mm



R 51 LED built-in



ECO



Cold white

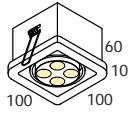
colour interior	colour frame	colour ring	code	code	code
black	black	black + black*	MI.CW.1222/ N	MI.CW.1222/ M	MI.CW.1222/ W
black	black	white + white*	MI.CW.1221/ N	MI.CW.1221/ M	MI.CW.1221/ W
black	black	grey + grey*	MI.CW.1224/ N	MI.CW.1224/ M	MI.CW.1224/ W
black	white	black + black*	MI.CW.1212/ N	MI.CW.1212/ M	MI.CW.1212/ W
black	white	white + white*	MI.CW.1211/ N	MI.CW.1211/ M	MI.CW.1211/ W
black	white	grey + grey*	MI.CW.1214/ N	MI.CW.1214/ M	MI.CW.1214/ W
black	grey	black + black*	MI.CW.1242/ N	MI.CW.1242/ M	MI.CW.1242/ W
black	grey	white + white*	MI.CW.1241/ N	MI.CW.1241/ M	MI.CW.1241/ W
black	grey	grey + grey*	MI.CW.1244/ N	MI.CW.1244/ M	MI.CW.1244/ W
black	chrome	black + black*	MI.CW.1292/ N	MI.CW.1292/ M	MI.CW.1292/ W
black	chrome	white + white*	MI.CW.1291/ N	MI.CW.1291/ M	MI.CW.1291/ W
black	chrome	grey + grey*	MI.CW.1294/ N	MI.CW.1294/ M	MI.CW.1294/ W
white	black	black + black*	MI.CW.1122/ N	MI.CW.1122/ M	MI.CW.1122/ W
white	black	white + white*	MI.CW.1121/ N	MI.CW.1121/ M	MI.CW.1121/ W
white	black	grey + grey*	MI.CW.1124/ N	MI.CW.1124/ M	MI.CW.1124/ W
white	white	black + black*	MI.CW.1112/ N	MI.CW.1112/ M	MI.CW.1112/ W
white	white	white + white*	MI.CW.1111/ N	MI.CW.1111/ M	MI.CW.1111/ W
white	white	grey + grey*	MI.CW.1114/ N	MI.CW.1114/ M	MI.CW.1114/ W
white	grey	black + black*	MI.CW.1142/ N	MI.CW.1142/ M	MI.CW.1142/ W
white	grey	white + white*	MI.CW.1141/ N	MI.CW.1141/ M	MI.CW.1141/ W
white	grey	grey + grey*	MI.CW.1144/ N	MI.CW.1144/ M	MI.CW.1144/ W
white	chrome	black + black*	MI.CW.1192/ N	MI.CW.1192/ M	MI.CW.1192/ W
white	chrome	white + white*	MI.CW.1191/ N	MI.CW.1191/ M	MI.CW.1191/ W
white	chrome	grey + grey*	MI.CW.1194/ N	MI.CW.1194/ M	MI.CW.1194/ W

350mA - Powered - 4 x 1W
power supply excluded / powered included
 aperture L.80mm W.92mm H.64mm
 * LED-holder

N = Narrow beam: $\pm 10^\circ$
M = Medium beam: $\pm 25^\circ$
W = Wide beam: $\pm 40^\circ$



R 51 LED built-in



Warm white

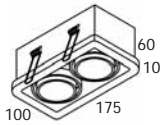
colour interior	colour frame	colour ring	code	code	code
black	black	black + black*	MI.WW.1222/ N	MI.WW.1222/ M	MI.WW.1222/ W
black	black	white + white*	MI.WW.1221/ N	MI.WW.1221/ M	MI.WW.1221/ W
black	black	grey + grey*	MI.WW.1224/ N	MI.WW.1224/ M	MI.WW.1224/ W
black	white	black + black*	MI.WW.1212/ N	MI.WW.1212/ M	MI.WW.1212/ W
black	white	white + white*	MI.WW.1211/ N	MI.WW.1211/ M	MI.WW.1211/ W
black	white	grey + grey*	MI.WW.1214/ N	MI.WW.1214/ M	MI.WW.1214/ W
black	grey	black + black*	MI.WW.1242/ N	MI.WW.1242/ M	MI.WW.1242/ W
black	grey	white + white*	MI.WW.1241/ N	MI.WW.1241/ M	MI.WW.1241/ W
black	grey	grey + grey*	MI.WW.1244/ N	MI.WW.1244/ M	MI.WW.1244/ W
black	chrome	black + black*	MI.WW.1292/ N	MI.WW.1292/ M	MI.WW.1292/ W
black	chrome	white + white*	MI.WW.1291/ N	MI.WW.1291/ M	MI.WW.1291/ W
black	chrome	grey + grey*	MI.WW.1294/ N	MI.WW.1294/ M	MI.WW.1294/ W
white	black	black + black*	MI.WW.1122/ N	MI.WW.1122/ M	MI.WW.1122/ W
white	black	white + white*	MI.WW.1121/ N	MI.WW.1121/ M	MI.WW.1121/ W
white	black	grey + grey*	MI.WW.1124/ N	MI.WW.1124/ M	MI.WW.1124/ W
white	white	black + black*	MI.WW.1112/ N	MI.WW.1112/ M	MI.WW.1112/ W
white	white	white + white*	MI.WW.1111/ N	MI.WW.1111/ M	MI.WW.1111/ W
white	white	grey + grey*	MI.WW.1114/ N	MI.WW.1114/ M	MI.WW.1114/ W
white	grey	black + black*	MI.WW.1142/ N	MI.WW.1142/ M	MI.WW.1142/ W
white	grey	white + white*	MI.WW.1141/ N	MI.WW.1141/ M	MI.WW.1141/ W
white	grey	grey + grey*	MI.WW.1144/ N	MI.WW.1144/ M	MI.WW.1144/ W
white	chrome	black + black*	MI.WW.1192/ N	MI.WW.1192/ M	MI.WW.1192/ W
white	chrome	white + white*	MI.WW.1191/ N	MI.WW.1191/ M	MI.WW.1191/ W
white	chrome	grey + grey*	MI.WW.1194/ N	MI.WW.1194/ M	MI.WW.1194/ W

350mA - Powered - 4 x 1W
power supply excluded / powered included
 aperture L.80mm W.92mm H.64mm
 * LED-holder

N = Narrow beam: $\pm 10^\circ$
M = Medium beam: $\pm 25^\circ$
W = Wide beam: $\pm 40^\circ$



R 52 built-in



colour interior	colour frame	colour ring	code
black	black	black	MR.IN.2222
black	black	white	MR.IN.2221
black	black	grey	MR.IN.2224
black	black	chrome	MR.IN.2229

black	white	black	MR.IN.2212
black	white	white	MR.IN.2211
black	white	grey	MR.IN.2214
black	white	chrome	MR.IN.2219

black	grey	black	MR.IN.2242
black	grey	white	MR.IN.2241
black	grey	grey	MR.IN.2244
black	grey	chrome	MR.IN.2249

black	chrome	black	MR.IN.2292
black	chrome	white	MR.IN.2291
black	chrome	grey	MR.IN.2294
black	chrome	chrome	MR.IN.2299

white	black	black	MR.IN.2122
white	black	white	MR.IN.2121
white	black	grey	MR.IN.2124
white	black	chrome	MR.IN.2129

white	white	black	MR.IN.2112
white	white	white	MR.IN.2111
white	white	grey	MR.IN.2114
white	white	chrome	MR.IN.2119

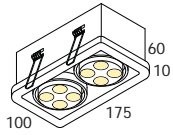
white	grey	black	MR.IN.2142
white	grey	white	MR.IN.2141
white	grey	grey	MR.IN.2144
white	grey	chrome	MR.IN.2149

white	chrome	black	MR.IN.2192
white	chrome	white	MR.IN.2191
white	chrome	grey	MR.IN.2194
white	chrome	chrome	MR.IN.2199

12V - GU 5,3 QR-CBC51 - max. 2 x 50W
 (no cool-beam, only alu reflector)
transfo. excluded
 aperture L.155mm W.92mm H.64mm



R 52 LED built-in



Cold white

colour interior	colour frame	colour ring	code	code	code
black	black	black + black*	MI.CW.2222/ N	MI.CW.2222/ M	MI.CW.2222/ W
black	black	white + white*	MI.CW.2221/ N	MI.CW.2221/ M	MI.CW.2221/ W
black	black	grey + grey*	MI.CW.2224/ N	MI.CW.2224/ M	MI.CW.2224/ W
black	white	black + black*	MI.CW.2212/ N	MI.CW.2212/ M	MI.CW.2212/ W
black	white	white + white*	MI.CW.2211/ N	MI.CW.2211/ M	MI.CW.2211/ W
black	white	grey + grey*	MI.CW.2214/ N	MI.CW.2214/ M	MI.CW.2214/ W
black	grey	black + black*	MI.CW.2242/ N	MI.CW.2242/ M	MI.CW.2242/ W
black	grey	white + white*	MI.CW.2241/ N	MI.CW.2241/ M	MI.CW.2241/ W
black	grey	grey + grey*	MI.CW.2244/ N	MI.CW.2244/ M	MI.CW.2244/ W
black	chrome	black + black*	MI.CW.2292/ N	MI.CW.2292/ M	MI.CW.2292/ W
black	chrome	white + white*	MI.CW.2291/ N	MI.CW.2291/ M	MI.CW.2291/ W
black	chrome	grey + grey*	MI.CW.2294/ N	MI.CW.2294/ M	MI.CW.2294/ W
white	black	black + black*	MI.CW.2122/ N	MI.CW.2122/ M	MI.CW.2122/ W
white	black	white + white*	MI.CW.2121/ N	MI.CW.2121/ M	MI.CW.2121/ W
white	black	grey + grey*	MI.CW.2124/ N	MI.CW.2124/ M	MI.CW.2124/ W
white	white	black + black*	MI.CW.2112/ N	MI.CW.2112/ M	MI.CW.2112/ W
white	white	white + white*	MI.CW.2111/ N	MI.CW.2111/ M	MI.CW.2111/ W
white	white	grey + grey*	MI.CW.2114/ N	MI.CW.2114/ M	MI.CW.2114/ W
white	grey	black + black*	MI.CW.2142/ N	MI.CW.2142/ M	MI.CW.2142/ W
white	grey	white + white*	MI.CW.2141/ N	MI.CW.2141/ M	MI.CW.2141/ W
white	grey	grey + grey*	MI.CW.2144/ N	MI.CW.2144/ M	MI.CW.2144/ W
white	chrome	black + black*	MI.CW.2192/ N	MI.CW.2192/ M	MI.CW.2192/ W
white	chrome	white + white*	MI.CW.2191/ N	MI.CW.2191/ M	MI.CW.2191/ W
white	chrome	grey + grey*	MI.CW.2194/ N	MI.CW.2194/ M	MI.CW.2194/ W

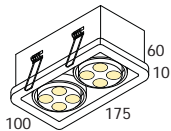
350mA - Powered - 8 x 1W
power supply excluded / powered included
 aperture L.155mm W.92mm H.64mm
 * LED-holder

N = Narrow beam: ± 10°
M = Medium beam: ± 25°
W = Wide beam: ± 40°





R 52 LED built-in



ECO



Warm white

colour interior	colour frame	colour ring	code	code	code
black	black	black + black*	MI.WW.2222/ N	MI.WW.2222/ M	MI.WW.2222/ W
black	black	white + white*	MI.WW.2221/ N	MI.WW.2221/ M	MI.WW.2221/ W
black	black	grey + grey*	MI.WW.2224/ N	MI.WW.2224/ M	MI.WW.2224/ W

black	white	black + black*	MI.WW.2212/ N	MI.WW.2212/ M	MI.WW.2212/ W
black	white	white + white*	MI.WW.2211/ N	MI.WW.2211/ M	MI.WW.2211/ W
black	white	grey + grey*	MI.WW.2214/ N	MI.WW.2214/ M	MI.WW.2214/ W

black	grey	black + black*	MI.WW.2242/ N	MI.WW.2242/ M	MI.WW.2242/ W
black	grey	white + white*	MI.WW.2241/ N	MI.WW.2241/ M	MI.WW.2241/ W
black	grey	grey + grey*	MI.WW.2244/ N	MI.WW.2244/ M	MI.WW.2244/ W

black	chrome	black + black*	MI.WW.2292/ N	MI.WW.2292/ M	MI.WW.2292/ W
black	chrome	white + white*	MI.WW.2291/ N	MI.WW.2291/ M	MI.WW.2291/ W
black	chrome	grey + grey*	MI.WW.2294/ N	MI.WW.2294/ M	MI.WW.2294/ W

white	black	black + black*	MI.WW.2122/ N	MI.WW.2122/ M	MI.WW.2122/ W
white	black	white + white*	MI.WW.2121/ N	MI.WW.2121/ M	MI.WW.2121/ W
white	black	grey + grey*	MI.WW.2124/ N	MI.WW.2124/ M	MI.WW.2124/ W

white	white	black + black*	MI.WW.2112/ N	MI.WW.2112/ M	MI.WW.2112/ W
white	white	white + white*	MI.WW.2111/ N	MI.WW.2111/ M	MI.WW.2111/ W
white	white	grey + grey*	MI.WW.2114/ N	MI.WW.2114/ M	MI.WW.2114/ W

white	grey	black + black*	MI.WW.2142/ N	MI.WW.2142/ M	MI.WW.2142/ W
white	grey	white + white*	MI.WW.2141/ N	MI.WW.2141/ M	MI.WW.2141/ W
white	grey	grey + grey*	MI.WW.2144/ N	MI.WW.2144/ M	MI.WW.2144/ W

white	chrome	black + black*	MI.WW.2192/ N	MI.WW.2192/ M	MI.WW.2192/ W
white	chrome	white + white*	MI.WW.2191/ N	MI.WW.2191/ M	MI.WW.2191/ W
white	chrome	grey + grey*	MI.WW.2194/ N	MI.WW.2194/ M	MI.WW.2194/ W

350mA - Powered - 8 x 1W
power supply excluded / powered included
 aperture L.155mm W.92mm H.64mm
 * LED-holder

N = Narrow beam: $\pm 10^\circ$
M = Medium beam: $\pm 25^\circ$
W = Wide beam: $\pm 40^\circ$





colour interior	colour frame	colour ring	code
black	black	black	MR.IN.4222
black	black	white	MR.IN.4221
black	black	grey	MR.IN.4224
black	black	chrome	MR.IN.4229

black	white	black	MR.IN.4212
black	white	white	MR.IN.4211
black	white	grey	MR.IN.4214
black	white	chrome	MR.IN.4219

black	grey	black	MR.IN.4242
black	grey	white	MR.IN.4241
black	grey	grey	MR.IN.4244
black	grey	chrome	MR.IN.4249

black	chrome	black	MR.IN.4292
black	chrome	white	MR.IN.4291
black	chrome	grey	MR.IN.4294
black	chrome	chrome	MR.IN.4299

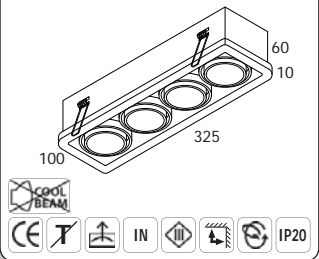
white	black	black	MR.IN.4122
white	black	white	MR.IN.4121
white	black	grey	MR.IN.4124
white	black	chrome	MR.IN.4129

white	white	black	MR.IN.4112
white	white	white	MR.IN.4111
white	white	grey	MR.IN.4114
white	white	chrome	MR.IN.4119

white	grey	black	MR.IN.4142
white	grey	white	MR.IN.4141
white	grey	grey	MR.IN.4144
white	grey	chrome	MR.IN.4149

white	chrome	black	MR.IN.4192
white	chrome	white	MR.IN.4191
white	chrome	grey	MR.IN.4194
white	chrome	chrome	MR.IN.4199

R 54 built-in

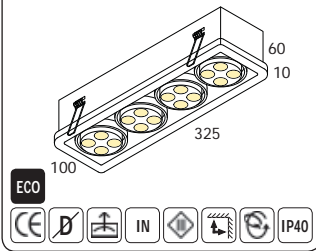


12V - GU 5,3 QR-CBC51 - max. 4 x 50W
 (no cool-beam, only alu reflector)
transfo. excluded
 aperture L.305mm W.92mm H.64mm





R 54 LED built-in



Cold white

colour interior	colour frame	colour ring	code	code	code
black	black	black + black*	MI.CW.4222/ N	MI.CW.4222/ M	MI.CW.4222/ W
black	black	white + white*	MI.CW.4221/ N	MI.CW.4221/ M	MI.CW.4221/ W
black	black	grey + grey*	MI.CW.4224/ N	MI.CW.4224/ M	MI.CW.4224/ W

black	white	black + black*	MI.CW.4212/ N	MI.CW.4212/ M	MI.CW.4212/ W
black	white	white + white*	MI.CW.4211/ N	MI.CW.4211/ M	MI.CW.4211/ W
black	white	grey + grey*	MI.CW.4214/ N	MI.CW.4214/ M	MI.CW.4214/ W

black	grey	black + black*	MI.CW.4242/ N	MI.CW.4242/ M	MI.CW.4242/ W
black	grey	white + white*	MI.CW.4241/ N	MI.CW.4241/ M	MI.CW.4241/ W
black	grey	grey + grey*	MI.CW.4244/ N	MI.CW.4244/ M	MI.CW.4244/ W

black	chrome	black + black*	MI.CW.4292/ N	MI.CW.4292/ M	MI.CW.4292/ W
black	chrome	white + white*	MI.CW.4291/ N	MI.CW.4291/ M	MI.CW.4291/ W
black	chrome	grey + grey*	MI.CW.4294/ N	MI.CW.4294/ M	MI.CW.4294/ W

white	black	black + black*	MI.CW.4122/ N	MI.CW.4122/ M	MI.CW.4122/ W
white	black	white + white*	MI.CW.4121/ N	MI.CW.4121/ M	MI.CW.4121/ W
white	black	grey + grey*	MI.CW.4124/ N	MI.CW.4124/ M	MI.CW.4124/ W

white	white	black + black*	MI.CW.4112/ N	MI.CW.4112/ M	MI.CW.4112/ W
white	white	white + white*	MI.CW.4111/ N	MI.CW.4111/ M	MI.CW.4111/ W
white	white	grey + grey*	MI.CW.4114/ N	MI.CW.4114/ M	MI.CW.4114/ W

white	grey	black + black*	MI.CW.4142/ N	MI.CW.4142/ M	MI.CW.4142/ W
white	grey	white + white*	MI.CW.4141/ N	MI.CW.4141/ M	MI.CW.4141/ W
white	grey	grey + grey*	MI.CW.4144/ N	MI.CW.4144/ M	MI.CW.4144/ W

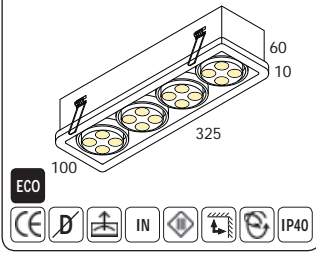
white	chrome	black + black*	MI.CW.4192/ N	MI.CW.4192/ M	MI.CW.4192/ W
white	chrome	white + white*	MI.CW.4191/ N	MI.CW.4191/ M	MI.CW.4191/ W
white	chrome	grey + grey*	MI.CW.4194/ N	MI.CW.4194/ M	MI.CW.4194/ W

350mA - Poweredled - 16 x 1W
power supply excluded / powered included
 aperture L.305mm W.92mm H.64mm
 * LED-holder

N = Narrow beam: $\pm 10^\circ$
M = Medium beam: $\pm 25^\circ$
W = Wide beam: $\pm 40^\circ$



R 54 LED built-in



Warm white

colour interior	colour frame	colour ring	code	code	code
black	black	black + black*	MI.WW.4222/ N	MI.WW.4222/ M	MI.WW.4222/ W
black	black	white + white*	MI.WW.4221/ N	MI.WW.4221/ M	MI.WW.4221/ W
black	black	grey + grey*	MI.WW.4224/ N	MI.WW.4224/ M	MI.WW.4224/ W
black	white	black + black*	MI.WW.4212/ N	MI.WW.4212/ M	MI.WW.4212/ W
black	white	white + white*	MI.WW.4211/ N	MI.WW.4211/ M	MI.WW.4211/ W
black	white	grey + grey*	MI.WW.4214/ N	MI.WW.4214/ M	MI.WW.4214/ W
black	grey	black + black*	MI.WW.4242/ N	MI.WW.4242/ M	MI.WW.4242/ W
black	grey	white + white*	MI.WW.4241/ N	MI.WW.4241/ M	MI.WW.4241/ W
black	grey	grey + grey*	MI.WW.4244/ N	MI.WW.4244/ M	MI.WW.4244/ W
black	chrome	black + black*	MI.WW.4292/ N	MI.WW.4292/ M	MI.WW.4292/ W
black	chrome	white + white*	MI.WW.4291/ N	MI.WW.4291/ M	MI.WW.4291/ W
black	chrome	grey + grey*	MI.WW.4294/ N	MI.WW.4294/ M	MI.WW.4294/ W
white	black	black + black*	MI.WW.4122/ N	MI.WW.4122/ M	MI.WW.4122/ W
white	black	white + white*	MI.WW.4121/ N	MI.WW.4121/ M	MI.WW.4121/ W
white	black	grey + grey*	MI.WW.4124/ N	MI.WW.4124/ M	MI.WW.4124/ W
white	white	black + black*	MI.WW.4112/ N	MI.WW.4112/ M	MI.WW.4112/ W
white	white	white + white*	MI.WW.4111/ N	MI.WW.4111/ M	MI.WW.4111/ W
white	white	grey + grey*	MI.WW.4114/ N	MI.WW.4114/ M	MI.WW.4114/ W
white	grey	black + black*	MI.WW.4142/ N	MI.WW.4142/ M	MI.WW.4142/ W
white	grey	white + white*	MI.WW.4141/ N	MI.WW.4141/ M	MI.WW.4141/ W
white	grey	grey + grey*	MI.WW.4144/ N	MI.WW.4144/ M	MI.WW.4144/ W
white	chrome	black + black*	MI.WW.4192/ N	MI.WW.4192/ M	MI.WW.4192/ W
white	chrome	white + white*	MI.WW.4191/ N	MI.WW.4191/ M	MI.WW.4191/ W
white	chrome	grey + grey*	MI.WW.4194/ N	MI.WW.4194/ M	MI.WW.4194/ W

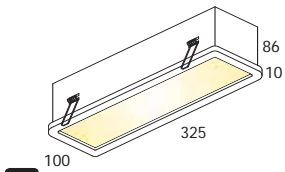
350mA - Powered - 16 x 1W
power supply excluded / powered included
 aperture L.305mm W.92mm H.64mm
 * LED-holder

N = Narrow beam: ± 10°
M = Medium beam: ± 25°
W = Wide beam: ± 40°





R 54 Fluo built-in




ECO



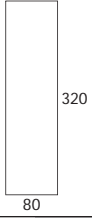
PMMA white
(other colours see p. 271)

colour frame	code
black	FL.IN.4222
white	FL.IN.4111
grey	FL.IN.4444
chrome	FL.IN.4999

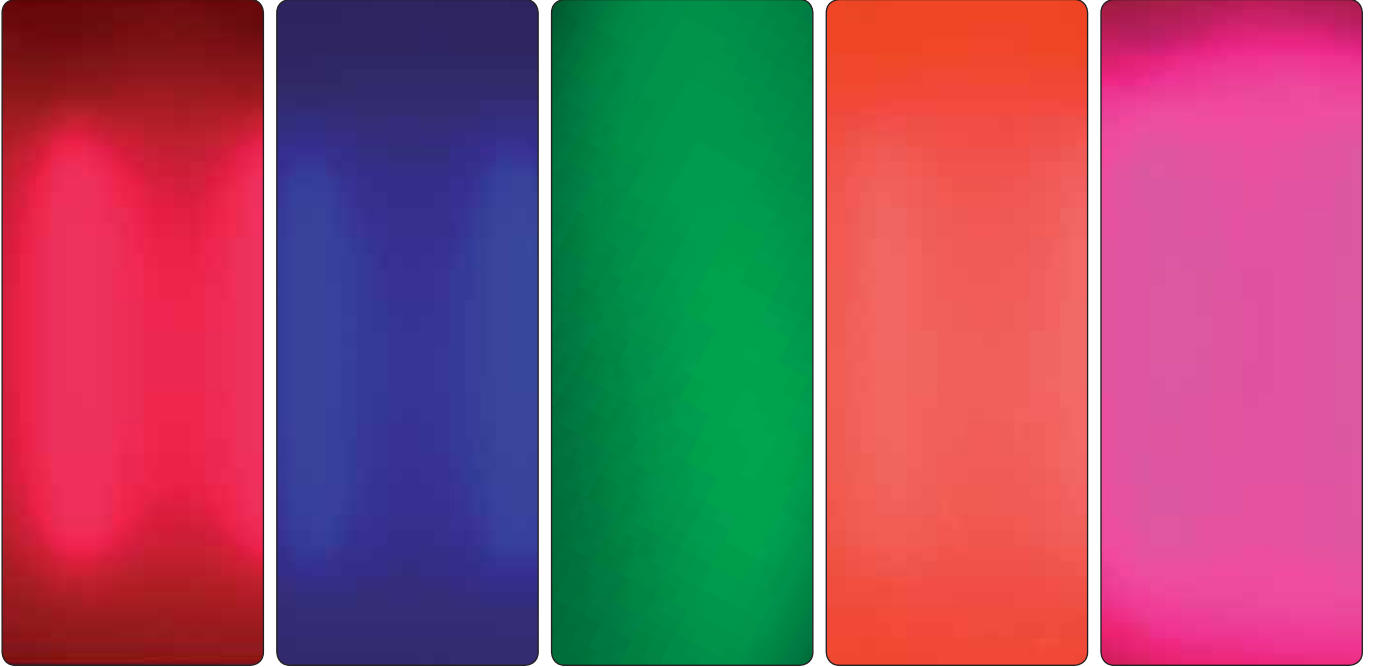
230V...240V - 2G11 - 2 x TCL 18W 
gear included
aperture L.307mm W.90mm H.100mm



**R 54 Fluo
PMMA supplement**



colour	code
red	FL.AC.0001
blue	FL.AC.0002
green	FL.AC.0003
orange	FL.AC.0004
fuchsia	FL.AC.0005



colour interior	colour frame	colour ring	code
black	black	black	AR.IN.2222
black	black	white	AR.IN.2221
black	black	grey	AR.IN.2224
black	black	chrome	AR.IN.2229

black	white	black	AR.IN.2212
black	white	white	AR.IN.2211
black	white	grey	AR.IN.2214
black	white	chrome	AR.IN.2219

black	grey	black	AR.IN.2242
black	grey	white	AR.IN.2241
black	grey	grey	AR.IN.2244
black	grey	chrome	AR.IN.2249

black	chrome	black	AR.IN.2292
black	chrome	white	AR.IN.2291
black	chrome	grey	AR.IN.2294
black	chrome	chrome	AR.IN.2299

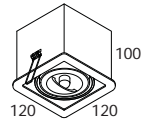
white	black	black	AR.IN.2122
white	black	white	AR.IN.2121
white	black	grey	AR.IN.2124
white	black	chrome	AR.IN.2129

white	white	black	AR.IN.2112
white	white	white	AR.IN.2111
white	white	grey	AR.IN.2114
white	white	chrome	AR.IN.2119

white	grey	black	AR.IN.2142
white	grey	white	AR.IN.2141
white	grey	grey	AR.IN.2144
white	grey	chrome	AR.IN.2149

white	chrome	black	AR.IN.2192
white	chrome	white	AR.IN.2191
white	chrome	grey	AR.IN.2194
white	chrome	chrome	AR.IN.2199

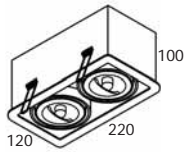
R 07 built-in



12V - BA15d-QR70 - max. 1 x 50W
transfo. excluded
 aperture L.106mm W.102mm H.104mm



R 70 built-in



colour interior	colour frame	colour ring	code
black	black	black	AR.IN.7222
black	black	white	AR.IN.7221
black	black	grey	AR.IN.7224
black	black	chrome	AR.IN.7229

black	white	black	AR.IN.7212
black	white	white	AR.IN.7211
black	white	grey	AR.IN.7214
black	white	chrome	AR.IN.7219

black	grey	black	AR.IN.7242
black	grey	white	AR.IN.7241
black	grey	grey	AR.IN.7244
black	grey	chrome	AR.IN.7249

black	chrome	black	AR.IN.7292
black	chrome	white	AR.IN.7291
black	chrome	grey	AR.IN.7294
black	chrome	chrome	AR.IN.7299

white	black	black	AR.IN.7122
white	black	white	AR.IN.7121
white	black	grey	AR.IN.7124
white	black	chrome	AR.IN.7129

white	white	black	AR.IN.7112
white	white	white	AR.IN.7111
white	white	grey	AR.IN.7114
white	white	chrome	AR.IN.7119

white	grey	black	AR.IN.7142
white	grey	white	AR.IN.7141
white	grey	grey	AR.IN.7144
white	grey	chrome	AR.IN.7149

white	chrome	black	AR.IN.7192
white	chrome	white	AR.IN.7191
white	chrome	grey	AR.IN.7194
white	chrome	chrome	AR.IN.7199

12V - BA15d-QR70 - max. 2 x 50W
transfo. excluded
 aperture L.206mm W.106mm H.104mm



colour interior	colour frame	colour ring	code
black	black	black	AR.IN.0222
black	black	white	AR.IN.0221
black	black	grey	AR.IN.0224
black	black	chrome	AR.IN.0229

black	white	black	AR.IN.0212
black	white	white	AR.IN.0211
black	white	grey	AR.IN.0214
black	white	chrome	AR.IN.0219

black	grey	black	AR.IN.0242
black	grey	white	AR.IN.0241
black	grey	grey	AR.IN.0244
black	grey	chrome	AR.IN.0249

black	chrome	black	AR.IN.0292
black	chrome	white	AR.IN.0291
black	chrome	grey	AR.IN.0294
black	chrome	chrome	AR.IN.0299

white	black	black	AR.IN.0122
white	black	white	AR.IN.0121
white	black	grey	AR.IN.0124
white	black	chrome	AR.IN.0129


white	white	black	AR.IN.0112
white	white	white	AR.IN.0111
white	white	grey	AR.IN.0114
white	white	chrome	AR.IN.0119

white	grey	black	AR.IN.0142
white	grey	white	AR.IN.0141
white	grey	grey	AR.IN.0144
white	grey	chrome	AR.IN.0149

white	chrome	black	AR.IN.0192
white	chrome	white	AR.IN.0191
white	chrome	grey	AR.IN.0194
white	chrome	chrome	AR.IN.0199

R 110 built-in



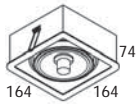
12V - G53 - QR111 - max. 1 x 100W 
transfo. excluded
 aperture L.151mm W.151mm H.79mm





R 110 built-in

CDM-R111



colour interior	colour frame	colour ring	code
black	black	black	AR.IN.8222
black	black	white	AR.IN.8221
black	black	grey	AR.IN.8224
black	black	chrome	AR.IN.8229

black	white	black	AR.IN.8212
black	white	white	AR.IN.8211
black	white	grey	AR.IN.8214
black	white	chrome	AR.IN.8219

black	grey	black	AR.IN.8242
black	grey	white	AR.IN.8241
black	grey	grey	AR.IN.8244
black	grey	chrome	AR.IN.8249


black	chrome	black	AR.IN.8292
black	chrome	white	AR.IN.8291
black	chrome	grey	AR.IN.8294
black	chrome	chrome	AR.IN.8299

white	black	black	AR.IN.8122
white	black	white	AR.IN.8121
white	black	grey	AR.IN.8124
white	black	chrome	AR.IN.8129

white	white	black	AR.IN.8112
white	white	white	AR.IN.8111
white	white	grey	AR.IN.8114
white	white	chrome	AR.IN.8119

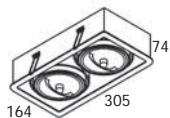
white	grey	black	AR.IN.8142
white	grey	white	AR.IN.8141
white	grey	grey	AR.IN.8144
white	grey	chrome	AR.IN.8149

white	chrome	black	AR.IN.8192
white	chrome	white	AR.IN.8191
white	chrome	grey	AR.IN.8194
white	chrome	chrome	AR.IN.8199

GX 8,5 - CDM-R 111 - max. 1 x 70W 
HID/CDM gear excluded
 aperture L.151mm W.151mm H.140mm



R 111 built-in



colour interior	colour frame	colour ring	code
black	black	black	AR.IN.1222
black	black	white	AR.IN.1221
black	black	grey	AR.IN.1224
black	black	chrome	AR.IN.1229

black	white	black	AR.IN.1212
black	white	white	AR.IN.1211
black	white	grey	AR.IN.1214
black	white	chrome	AR.IN.1219

black	grey	black	AR.IN.1242
black	grey	white	AR.IN.1241
black	grey	grey	AR.IN.1244
black	grey	chrome	AR.IN.1249


black	chrome	black	AR.IN.1292
black	chrome	white	AR.IN.1291
black	chrome	grey	AR.IN.1294
black	chrome	chrome	AR.IN.1299

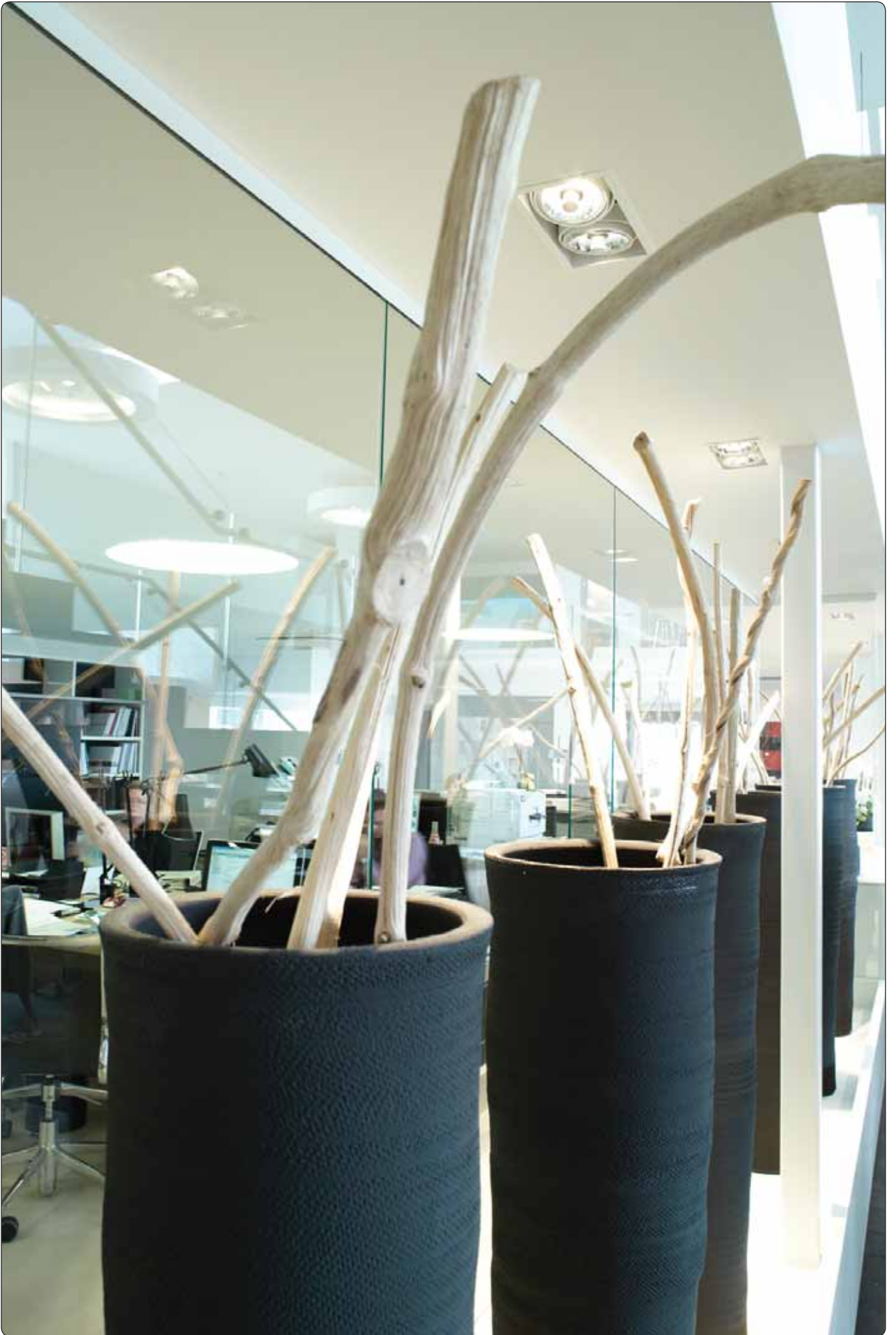
white	black	black	AR.IN.1122
white	black	white	AR.IN.1121
white	black	grey	AR.IN.1124
white	black	chrome	AR.IN.1129

white	white	black	AR.IN.1112
white	white	white	AR.IN.1111
white	white	grey	AR.IN.1114
white	white	chrome	AR.IN.1119

white	grey	black	AR.IN.1142
white	grey	white	AR.IN.1141
white	grey	grey	AR.IN.1144
white	grey	chrome	AR.IN.1149

white	chrome	black	AR.IN.1192
white	chrome	white	AR.IN.1191
white	chrome	grey	AR.IN.1194
white	chrome	chrome	AR.IN.1199

12V - G53 - QR111 - max. 2 x 100W 
transfo. excluded
 aperture L.290mm W.151mm H.79mm



colour interior	colour frame	colour ring	code
black	black	black	AR.IN.3222
black	black	white	AR.IN.3221
black	black	grey	AR.IN.3224
black	black	chrome	AR.IN.3229

black	white	black	AR.IN.3212
black	white	white	AR.IN.3211
black	white	grey	AR.IN.3214
black	white	chrome	AR.IN.3219

black	grey	black	AR.IN.3242
black	grey	white	AR.IN.3241
black	grey	grey	AR.IN.3244
black	grey	chrome	AR.IN.3249

black	chrome	black	AR.IN.3292
black	chrome	white	AR.IN.3291
black	chrome	grey	AR.IN.3294
black	chrome	chrome	AR.IN.3299

white	black	black	AR.IN.3122
white	black	white	AR.IN.3121
white	black	grey	AR.IN.3124
white	black	chrome	AR.IN.3129

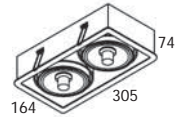
white	white	black	AR.IN.3112
white	white	white	AR.IN.3111
white	white	grey	AR.IN.3114
white	white	chrome	AR.IN.3119

white	grey	black	AR.IN.3142
white	grey	white	AR.IN.3141
white	grey	grey	AR.IN.3144
white	grey	chrome	AR.IN.3149

white	chrome	black	AR.IN.3192
white	chrome	white	AR.IN.3191
white	chrome	grey	AR.IN.3194
white	chrome	chrome	AR.IN.3199


R 111 built-in

CDM-R111



ECO



GX 8,5 - CDM-R 111 - max. 2 x 70W 
HID/CDM gear excluded
 aperture L.290mm W.151mm H.140mm





Kwa-Terra
p. 280



Push-IN
p. 281 - 283

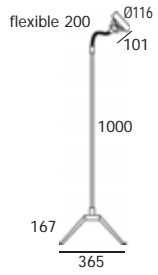


Scar-led table
p. 284 - 288



Zot
p. 289

Kwa-Terra Hat +



colour

code

with switch


alu + black silicone

21.TR.3210

with dimmer

alu + black silicone

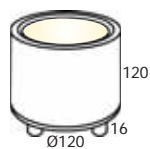
21.TD.3211

230V - G53 - 1 x QR111 max. 50W 
external transfo. included





Push-IN L QR111 T with switch



	colour	code
transparent glass		21.TA.3302
blue transparent glass		21.TA.3352
red transparent glass	alu	21.TA.3362
green transparent glass		21.TA.3372
frosted glass		21.TA.3382

transparent glass		21.TA.1302
blue transparent glass	alu	21.TA.1352
red transparent glass	+	21.TA.1362
green transparent glass	white	21.TA.1372
frosted glass		21.TA.1382

230V - G53 - 1 x QR111 max. 50W
transfo. included
 L = large H. 120mm.

Push-IN S QR111 T+ with switch

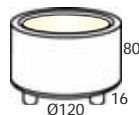


	colour	code
transparent glass		21.TA.3301
blue transparent glass		21.TA.3351
red transparent glass	alu	21.TA.3361
green transparent glass		21.TA.3371
frosted glass		21.TA.3381

transparent glass		21.TA.1301
blue transparent glass	alu	21.TA.1351
red transparent glass	+	21.TA.1361
green transparent glass	white	21.TA.1371
frosted glass		21.TA.1381

230V - G53 - 1 x QR111 max. 50W
external transfo. included
 S = small H. 80mm.

Push-IN S QR111 T+ with dimmer



	colour	code
transparent glass		21.TA.3303
blue transparent glass		21.TA.3353
red transparent glass	alu	21.TA.3363
green transparent glass		21.TA.3373
frosted glass		21.TA.3383

transparent glass		21.TA.1303
blue transparent glass	alu	21.TA.1353
red transparent glass	+	21.TA.1363
green transparent glass	white	21.TA.1373
frosted glass		21.TA.1383


230V - G53 - 1 x QR111 max. 50W
external transfo. included
 S = small H. 80mm.

Push-IN S ES111

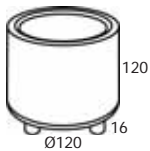


		colour	code
with switch	without glass	alu	PU.TA.3100
with switch	without glass	alu + white	PU.TA.1100

with dimmer	without glass	alu	PU.TA.3101
with dimmer	without glass	alu + white	PU.TA.1101


230...240V - Gu10 - Hi-spot ES111 - max. 1 x 75W 
S = small H. 80mm.

Push-IN L ES111

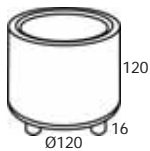


		colour	code
with switch	without glass	alu	PU.TA.3103
with switch	without glass	alu + white	PU.TA.1103

with dimmer	without glass	alu	PU.TA.3104
with dimmer	without glass	alu + white	PU.TA.1104


230...240V - Gu10 - Hi-spot ES111 - max. 1 x 75W 
L = large H. 120mm.

Hi-Push-IN L

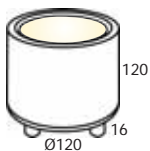


		colour	code
with switch	without glass	alu	21.TA.3104
with switch	without glass	alu + white	21.TA.1104


with dimmer	without glass	alu	21.TA.3105
with dimmer	without glass	alu + white	21.TA.1105

230...240V - E27 - Hi-spot 95 - max. 1 x 100W 
L = large H. 120mm.

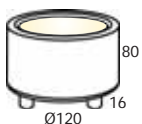
Push-IN L Lynx




		colour	code
with switch	frosted glass	alu	PU.TA.3181
with switch	frosted glass	alu + white	PU.TA.1181

230...240V - GX53 - 1 x Micro lynx F or Micro lynx LED 
L = large H. 120mm.

Push-IN S Lynx



		colour	code
with switch	frosted glass	alu	PU.TA.3180
with switch	frosted glass	alu + white	PU.TA.1180

230...240V - GX53 - 1 x Micro lynx F or Micro lynx LED 
S = small H. 80mm.



Cold white

	colour	code	code	code
200 mm	alu	SC.AR.1936/ N	SC.AR.1936/ M	SC.AR.1936/ W
400 mm	+	SC.AR.1966/ N	SC.AR.1966/ M	SC.AR.1966/ W
1000 mm	black silicone	SC.AR.1956/ N	SC.AR.1956/ M	SC.AR.1956/ W

200 mm	black	SC.AR.1836/ N	SC.AR.1836/ M	SC.AR.1836/ W
400 mm	+	SC.AR.1866/ N	SC.AR.1866/ M	SC.AR.1866/ W
1000 mm	black silicone	SC.AR.1856/ N	SC.AR.1856/ M	SC.AR.1856/ W

200 mm	white	SC.AR.1736/ N	SC.AR.1736/ M	SC.AR.1736/ W
400 mm	+	SC.AR.1766/ N	SC.AR.1766/ M	SC.AR.1766/ W
1000 mm	white silicone	SC.AR.1756/ N	SC.AR.1756/ M	SC.AR.1756/ W

200 mm	alu	SC.AR.1536/ N	SC.AR.1536/ M	SC.AR.1536/ W
400 mm	+	SC.AR.1566/ N	SC.AR.1566/ M	SC.AR.1566/ W
1000 mm	alu. colour flexible	SC.AR.1556/ N	SC.AR.1556/ M	SC.AR.1556/ W

230...240V - Powered - 1 x 1W - 350mA

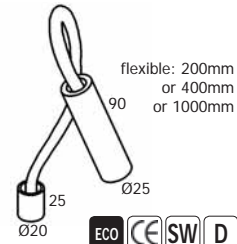
power supply, switch on cable & powered included

N = Narrow beam: $\pm 10^\circ$

M = Medium beam: $\pm 25^\circ$

W = Wide beam: $\pm 40^\circ$

Scar-led table built-in



flexible: 200mm
or 400mm
or 1000mm

Ø25

25

90

Ø25



Warm white

	colour	code	code	code
200 mm	alu	SC.AR.2936/ N	SC.AR.2936/ M	SC.AR.2936/ W
400 mm	+	SC.AR.2966/ N	SC.AR.2966/ M	SC.AR.2966/ W
1000 mm	black silicone	SC.AR.2956/ N	SC.AR.2956/ M	SC.AR.2956/ W

200 mm	black	SC.AR.2836/ N	SC.AR.2836/ M	SC.AR.2836/ W
400 mm	+	SC.AR.2866/ N	SC.AR.2866/ M	SC.AR.2866/ W
1000 mm	black silicone	SC.AR.2856/ N	SC.AR.2856/ M	SC.AR.2856/ W

200 mm	white	SC.AR.2736/ N	SC.AR.2736/ M	SC.AR.2736/ W
400 mm	+	SC.AR.2766/ N	SC.AR.2766/ M	SC.AR.2766/ W
1000 mm	white silicone	SC.AR.2756/ N	SC.AR.2756/ M	SC.AR.2756/ W

200 mm	alu	SC.AR.2536/ N	SC.AR.2536/ M	SC.AR.2536/ W
400 mm	+	SC.AR.2566/ N	SC.AR.2566/ M	SC.AR.2566/ W
1000 mm	alu. colour flexible	SC.AR.2556/ N	SC.AR.2556/ M	SC.AR.2556/ W

230...240V - Powered - 1 x 1W - 350mA

power supply, switch on cable & powered included

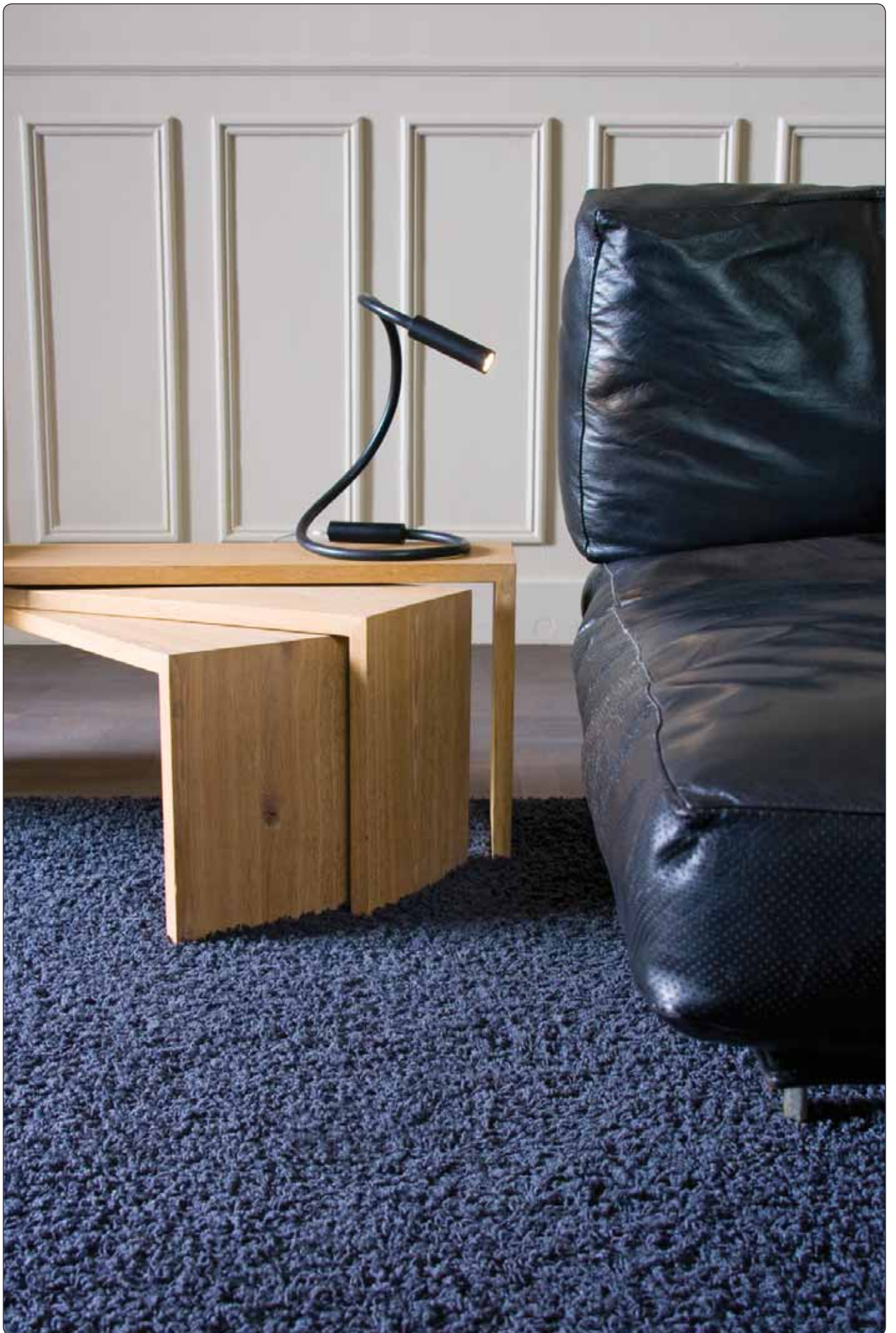
N = Narrow beam: $\pm 10^\circ$

M = Medium beam: $\pm 25^\circ$

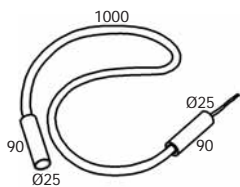
W = Wide beam: $\pm 40^\circ$







Scar-led table



Cold white

	colour	code	code	code
1000 mm	alu + black silicone	SC.AR.1850/ N	SC.AR.1850/ M	SC.AR.1850/ W
	black + black silicone	SC.AR.1851/ N	SC.AR.1851/ M	SC.AR.1851/ W
	white + white silicone	SC.AR.1852/ N	SC.AR.1852/ M	SC.AR.1852/ W

230...240V - Poweredled - 1 x 1W - 350mA

power supply, switch on cable & powered included

N = Narrow beam: ± 10°

M = Medium beam: ± 25°

W = Wide beam: ± 40°

Warm white

	colour	code	code	code
1000 mm	alu + black silicone	SC.AR.2850/ N	SC.AR.2850/ M	SC.AR.2850/ W
	black + black silicone	SC.AR.2851/ N	SC.AR.2851/ M	SC.AR.2851/ W
	white + white silicone	SC.AR.2852/ N	SC.AR.2852/ M	SC.AR.2852/ W

230...240V - Poweredled - 1 x 1W - 350mA

power supply, switch on cable & powered included

N = Narrow beam: ± 10°

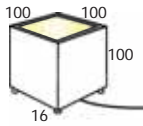
M = Medium beam: ± 25°

W = Wide beam: ± 40°





ZoT-IN with switch

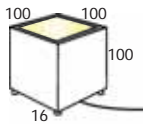


230...240V - G9 - max. 1 x 60W

	colour	code
frosted glass	alu	21.TA.3905
blue frosted glass		21.TA.3950
red frosted glass		21.TA.3960
green frosted glass		21.TA.3970

frosted glass	alu + white	21.TA.1905
blue frosted glass		21.TA.1950
red frosted glass		21.TA.1960
green frosted glass		21.TA.1970

ZoT-IN with dimmer

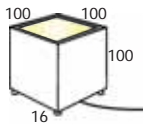


230...240V - G9 - max. 1 x 60W

	colour	code
frosted glass	alu	21.TA.3915
blue frosted glass		21.TA.3955
red frosted glass		21.TA.3965
green frosted glass		21.TA.3975

frosted glass	alu + white	21.TA.1915
blue frosted glass		21.TA.1955
red frosted glass		21.TA.1965
green frosted glass		21.TA.1975

ZoZoT-IN with switch

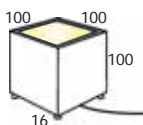


12V - GY6,35 - max. 1 x 50W external transfo. included

	colour	code
frosted glass	alu	21.TA.3906
blue frosted glass		21.TA.3956
red frosted glass		21.TA.3966
green frosted glass		21.TA.3976

frosted glass	alu + white	21.TA.1906
blue frosted glass		21.TA.1956
red frosted glass		21.TA.1966
green frosted glass		21.TA.1976

ZoZoT-IN with dimmer



12V - GY6,35 - max. 1 x 50W external transfo. included

	colour	code
frosted glass	alu	21.TA.3916
blue frosted glass		21.TA.3951
red frosted glass		21.TA.3961
green frosted glass		21.TA.3971

frosted glass	alu + white	21.TA.1916
blue frosted glass		21.TA.1951
red frosted glass		21.TA.1961
green frosted glass		21.TA.1971



**Ceiling cover
Code 1 OUT**
p. 293



Code 2 OUT
p. 294 - 295



Code 1 OUT
p. 292 - 293



Wall cover OUT
p. 299



Code wall OUT
p. 296 - 299



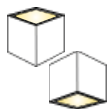
Push-UP OUT
p. 300 - 301



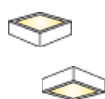
Saver OUT
p. 302 - 305



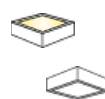
Cover Z... OUT
p. 317



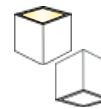
Zo OUT
p. 316



Zi OUT
p. 310 - 315



Ze OUT
p. 307 - 309



Za OUT
p. 306

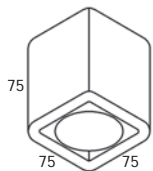


Zop OUT
p. 318 - 319




Zot OUT
p. 320

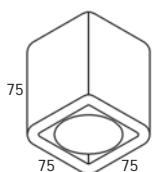
Code 1 OUT - 230V




colour	code
ano	CO.EX.2001
black	CO.EX.3001
white	CO.EX.1001

230...240V - GU 10 - QPAR 16 - max. 1 x 50W
Ceiling cover Code 1 see p.293 

Code 1 OUT - 12V



colour	code
ano	CO.EX.2121
black	CO.EX.3121
white	CO.EX.1121

12V - GU 5,3 - QR-CBC51 - max. 1 x 50W
(no cool-beam, only alu reflector)
transfo excluded
Ceiling cover Code 1 see p.293 



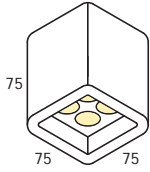
Cold white

colour	code	code	code
ano + grey*	CO.EX.7152/ N	CO.EX.7152/ M	CO.EX.7152/ W
black + grey*	CO.EX.2152/ N	CO.EX.2152/ M	CO.EX.2152/ W
white + grey*	CO.EX.1152/ N	CO.EX.1152/ M	CO.EX.1152/ W

100...240V - Poweredled - 4 x 1W
power supply & poweredled included
Ceiling cover Code 1 see p.293
 * LED-holder

N = Narrow beam: ± 10°
M = Medium beam: ± 25°
W = Wide beam: ± 40°

Code 1 OUT - LED



Warm white

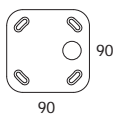
colour	code	code	code
ano + grey*	CO.EX.7151/ N	CO.EX.7151/ M	CO.EX.7151/ W
black + grey*	CO.EX.2151/ N	CO.EX.2151/ M	CO.EX.2151/ W
white + grey*	CO.EX.1151/ N	CO.EX.1151/ M	CO.EX.1151/ W

100...240V - Poweredled - 4 x 1W
power supply & poweredled included
Ceiling cover Code 1 see p.293
 * LED-holder

N = Narrow beam: ± 10°
M = Medium beam: ± 25°
W = Wide beam: ± 40°



Ceiling cover Code 1 OUT



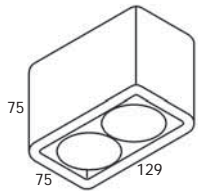
colour	code
ano	AC.EX.7055
black	AC.EX.2055
white	AC.EX.1055

DESIGN PLUS

powered by: **light+building**



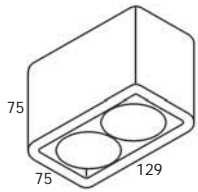
Code 2 OUT - 230V




colour	code
ano	CO.EX.2002
black	CO.EX.3002
white	CO.EX.1002

230...240V - GU 10 - QPAR 16 - max. 2 x 50W 

Code 2 OUT - 12V



colour	code
ano	CO.EX.2122
black	CO.EX.3122
white	CO.EX.1122

12V - GU 5,3 - QR-CBC51 - max. 2 x 50W 
(no cool-beam, only alu reflector)
transfo. excluded



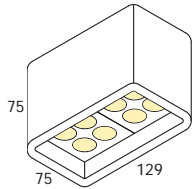
Cold white

colour	code	code	code
ano + grey*	CO.EX.7252/ N	CO.EX.7252/ M	CO.EX.7252/ W
black + grey*	CO.EX.2252/ N	CO.EX.2252/ M	CO.EX.2252/ W
white + grey*	CO.EX.1252/ N	CO.EX.1252/ M	CO.EX.1252/ W

100...240V - Powered - 8 x 1W
power supply & powered included
 * LED-holder

N = Narrow beam: ± 10°
M = Medium beam: ± 25°
W = Wide beam: ± 40°

Code 2 OUT - LED



Warm white

colour	code	code	code
ano + grey*	CO.EX.7251/ N	CO.EX.7251/ M	CO.EX.7251/ W
black + grey*	CO.EX.2251/ N	CO.EX.2251/ M	CO.EX.2251/ W
white + grey*	CO.EX.1251/ N	CO.EX.1251/ M	CO.EX.1251/ W

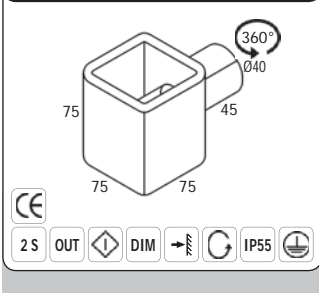
100...240V - Powered - 8 x 1W
power supply & powered included
 * LED-holder

N = Narrow beam: ± 10°
M = Medium beam: ± 25°
W = Wide beam: ± 40°





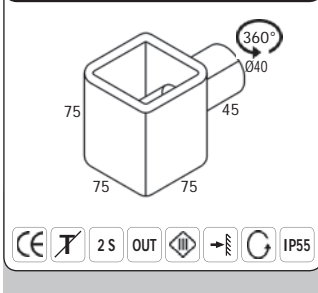
Code wall OUT - 230V



colour	code
ano	CO.DE.7006
black	CO.DE.2006
white	CO.DE.1006

230...240V - G9 - max. 1 x 60W
 Wall cover Code wall Out see p.299

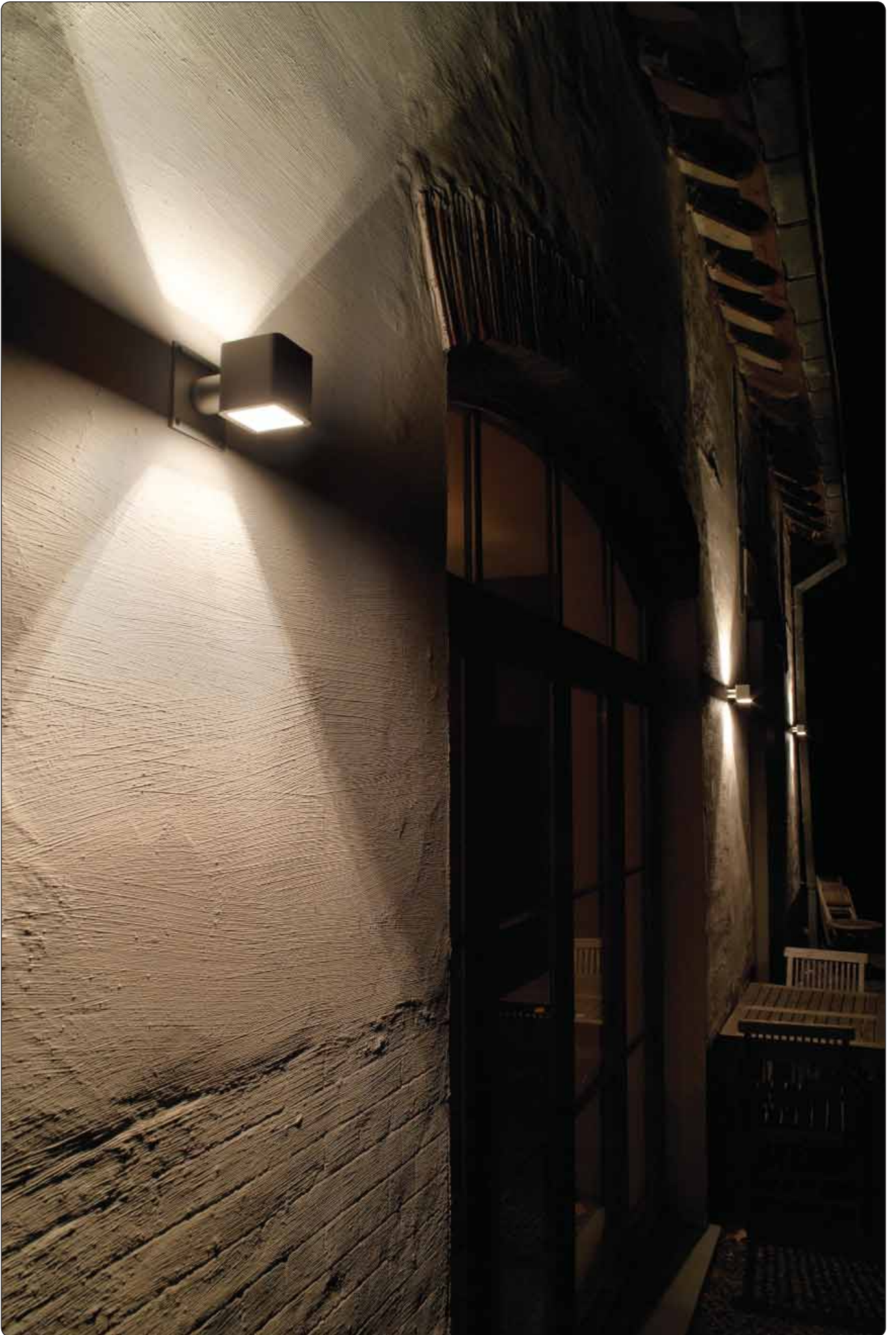
Code wall OUT - 12V



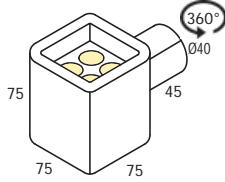
colour	code
ano	CO.DE.7126
black	CO.DE.2126
white	CO.DE.1126

12V - GY6,35 - max. 1 x 50W
 transfo. excluded
 Wall cover Code wall Out see p.299





Code wall OUT - LED 1-side



Cold white

colour	code	code	code
ano + grey*	CO.EX.7112/ N	CO.EX.7112/ M	CO.EX.7112/ W
black + grey*	CO.EX.2112/ N	CO.EX.2112/ M	CO.EX.2112/ W
white + grey*	CO.EX.1112/ N	CO.EX.1112/ M	CO.EX.1112/ W

350mA - Powerled - 4 x 1W
power supply excluded / powered included
Wall cover Code wall Out see p.299
 * LED-holder

N = Narrow beam: ± 10°
M = Medium beam: ± 25°
W = Wide beam: ± 40°

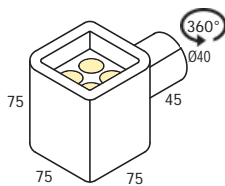
Warm white

colour	code	code	code
ano + grey*	CO.EX.7111/ N	CO.EX.7111/ M	CO.EX.7111/ W
black + grey*	CO.EX.2111/ N	CO.EX.2111/ M	CO.EX.2111/ W
white + grey*	CO.EX.1111/ N	CO.EX.1111/ M	CO.EX.1111/ W

350mA - Powerled - 4 x 1W
power supply excluded / powered included
Wall cover Code wall Out see p.299
 * LED-holder

N = Narrow beam: ± 10°
M = Medium beam: ± 25°
W = Wide beam: ± 40°

Code wall OUT - LED 2-sides



Cold white

ano + grey*	CO.EX.7212/ N	CO.EX.7212/ M	CO.EX.7212/ W
black + grey*	CO.EX.2212/ N	CO.EX.2212/ M	CO.EX.2212/ W
white + grey*	CO.EX.1212/ N	CO.EX.1212/ M	CO.EX.1212/ W

350mA - Powerled - 8 x 1W
power supply excluded / powered included
Wall cover Code wall Out see p.299
 * LED-holder

N = Narrow beam: ± 10°
M = Medium beam: ± 25°
W = Wide beam: ± 40°

Warm white

colour	code	code	code
ano + grey*	CO.EX.7211/ N	CO.EX.7211/ M	CO.EX.7211/ W
black + grey*	CO.EX.2211/ N	CO.EX.2211/ M	CO.EX.2211/ W
white + grey*	CO.EX.1211/ N	CO.EX.1211/ M	CO.EX.1211/ W

350mA - Powerled - 8 x 1W
power supply excluded / powered included
Wall cover Code wall Out see p.299
 * LED-holder

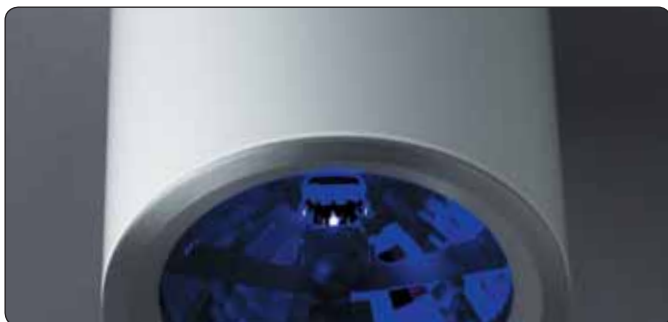
N = Narrow beam: ± 10°
M = Medium beam: ± 25°
W = Wide beam: ± 40°



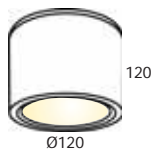
Wall cover
Code wall OUT

colour	code
ano	AC.EX.7006
black	AC.EX.2006
white	AC.EX.1006

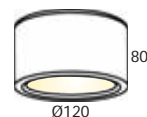




Push-UP L OUT QR111 T




Push-UP S OUT QR111




	colour	code
transparent glass		21.EX.3303
blue transparent glass		21.EX.3353
red transparent glass	ano	21.EX.3363
green transparent glass		21.EX.3373
frosted glass		21.EX.3383

transparent glass		21.EX.1303
blue transparent glass	ano	21.EX.1353
red transparent glass	+	21.EX.1363
green transparent glass	white	21.EX.1373
frosted glass		21.EX.1383

230V...240V - G53 - 1 x QR111 max. 50W 
transfo. included
 L = large H. 120mm.

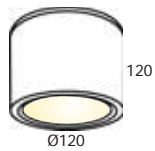
	colour	code
transparent glass		21.EX.3305
blue transparent glass		21.EX.3355
red transparent glass	ano	21.EX.3365
green transparent glass		21.EX.3375
frosted glass		21.EX.3385

transparent glass		21.EX.1305
blue transparent glass	ano	21.EX.1355
red transparent glass	+	21.EX.1365
green transparent glass	white	21.EX.1375
frosted glass		21.EX.1385

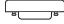
12V - G53 - 1 x QR111 max. 50W 
transfo. excluded
 S = small H. 80mm.



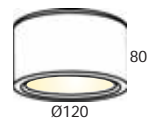
Push-UP L OUT LYNX



	colour	code
frosted glass	ano	PU.EX.3189
frosted glass	ano + white	PU.EX.1189

230...240V - GX 53 - 1 x Micro lynx F or Micro lynx LED 
 L = large H. 120mm

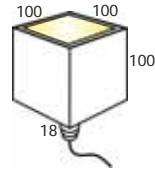
Push-UP S OUT LYNX



	colour	code
frosted glass	ano	PU.EX.3188
frosted glass	ano + white	PU.EX.1188

230...240V - GX 53 - 1 x Micro lynx F or Micro lynx LED 
 S = small H. 80mm.

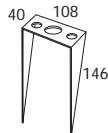
Saver OUT



	colour	code
frosted glass blue frosted glass red frosted glass green frosted glass	ano	SA.EX.5380
		SA.EX.5381
		SA.EX.5382
		SA.EX.5383
frosted glass blue frosted glass red frosted glass green frosted glass	ano + white	SA.EX.6380
		SA.EX.6381
		SA.EX.6382
		SA.EX.6383

230...240V - GX 53 - 1 x Micro lynx F or Micro lynx LED

Accessories Saver OUT



ground spike for Saver,
Zot & Zozot Out

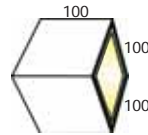
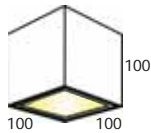
colour	code
black	21.AC.2902



4 x double foot for Saver,
Zot & Zozot Out

colour	code
ano	21.AC.2904

Saver-big OUT

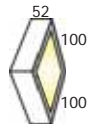
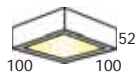


	colour	code
frosted glass blue frosted glass red frosted glass green frosted glass	ano	BS.EX.5025
		BS.EX.5026
		BS.EX.5027
		BS.EX.5028
frosted glass blue frosted glass red frosted glass green frosted glass	ano + white	BS.EX.6025
		BS.EX.6026
		BS.EX.6027
		BS.EX.6028

230...240V - GX 53 - 1 x Micro lynx F or Micro lynx LED



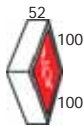
Saver-small OUT



colour	code	
ano	frosted glass	SS.EX.5005
	blue frosted glass	SS.EX.5006
	red frosted glass	SS.EX.5007
	green frosted glass	SS.EX.5008
ano + white	frosted glass	SS.EX.6005
	blue frosted glass	SS.EX.6006
	red frosted glass	SS.EX.6007
	green frosted glass	SS.EX.6008

230...240V - GX 53 - 1 x Micro lynx F or Micro lynx LED

Saver-small OUT + Picto



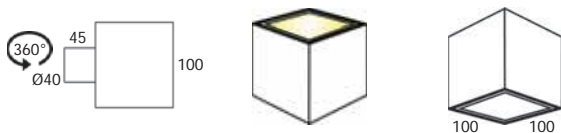
picto	colour	code
man & lady man lady	ano	SS.EX.5015
		SS.EX.5016
		SS.EX.5017
man & lady man lady	ano + white	SS.EX.6015
		SS.EX.6016
		SS.EX.6017

230...240V - GX 53 - 1 x Micro lynx F or Micro lynx LED





Za OUT



	colour	code
1 side frosted glass + 1 side ano		ZA.EX.3001
1 side blue frosted glass + 1 side ano		ZA.EX.3002
1 side red frosted glass + 1 side ano		ZA.EX.3003
1 side green frosted glass + 1 side ano	ano	ZA.EX.3004
1 side blue transparent glass + 1 side ano		ZA.EX.3005
1 side red transparent glass + 1 side ano		ZA.EX.3006
1 side green transparent glass + 1 side ano		ZA.EX.3007

1 side frosted glass + 1 side white		ZA.EX.1001
1 side blue frosted glass + 1 side white		ZA.EX.1002
1 side red frosted glass + 1 side white	ano	ZA.EX.1003
1 side green frosted glass + 1 side white	+ white	ZA.EX.1004
1 side blue transparent glass + 1 side white		ZA.EX.1005
1 side red transparent glass + 1 side white		ZA.EX.1006
1 side green transparent glass + 1 side white		ZA.EX.1007

230...240V - G9 - max. 1 x 60W
Wall or ceiling cover Za see p.317

ZaZa OUT



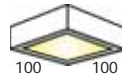
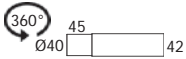
	colour	code
1 side frosted glass + 1 side ano		ZA.EX.3008
1 side blue frosted glass + 1 side ano		ZA.EX.3009
1 side red frosted glass + 1 side ano		ZA.EX.3010
1 side green frosted glass + 1 side ano	ano	ZA.EX.3011
1 side blue transparent glass + 1 side ano		ZA.EX.3012
1 side red transparent glass + 1 side ano		ZA.EX.3013
1 side green transparent glass + 1 side ano		ZA.EX.3014

1 side frosted glass + 1 side white		ZA.EX.1008
1 side blue frosted glass + 1 side white		ZA.EX.1009
1 side red frosted glass + 1 side white	ano	ZA.EX.1010
1 side green frosted glass + 1 side white	+ white	ZA.EX.1011
1 side blue transparent glass + 1 side white		ZA.EX.1012
1 side red transparent glass + 1 side white		ZA.EX.1013
1 side green transparent glass + 1 side white		ZA.EX.1014

12V - GY6,35 - max. 1 x 50W
transfo. excluded
Wall or ceiling cover ZaZa see p.317



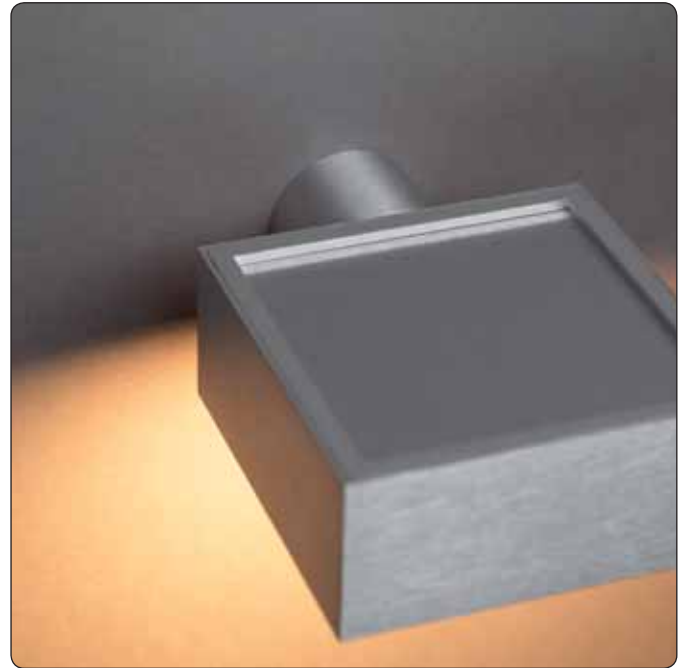
Ze OUT



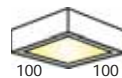
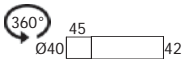
	colour	code
1 side frosted glass + 1 side ano		ZE.EX.3001
1 side blue frosted glass + 1 side ano		ZE.EX.3002
1 side red frosted glass + 1 side ano		ZE.EX.3003
1 side green frosted glass + 1 side ano	ano	ZE.EX.3004
1 side blue transparent glass + 1 side ano		ZE.EX.3005
1 side red transparent glass + 1 side ano		ZE.EX.3006
1 side green transparent glass + 1 side ano		ZE.EX.3007

1 side frosted glass + 1 side white		ZE.EX.1001
1 side blue frosted glass + 1 side white		ZE.EX.1002
1 side red frosted glass + 1 side white	ano	ZE.EX.1003
1 side green frosted glass + 1 side white	+ white	ZE.EX.1004
1 side blue transparent glass + 1 side white		ZE.EX.1005
1 side red transparent glass + 1 side white		ZE.EX.1006
1 side green transparent glass + 1 side white		ZE.EX.1007

230...240V - G9 - max. 1 x 60W
Wall or ceiling cover Ze see p.317



ZeZe OUT



	colour	code
1 side frosted glass + 1 side ano		ZE.EX.3008
1 side blue frosted glass + 1 side ano		ZE.EX.3009
1 side red frosted glass + 1 side ano		ZE.EX.3010
1 side green frosted glass + 1 side ano	ano	ZE.EX.3011
1 side blue transparent glass + 1 side ano		ZE.EX.3012
1 side red transparent glass + 1 side ano		ZE.EX.3013
1 side green transparent glass + 1 side ano		ZE.EX.3014

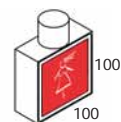
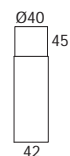
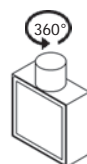
1 side frosted glass + 1 side white		ZE.EX.1008
1 side blue frosted glass + 1 side white		ZE.EX.1009
1 side red frosted glass + 1 side white	ano	ZE.EX.1010
1 side green frosted glass + 1 side white	+ white	ZE.EX.1011
1 side blue transparent glass + 1 side white		ZE.EX.1012
1 side red transparent glass + 1 side white		ZE.EX.1013
1 side green transparent glass + 1 side white		ZE.EX.1014

12V - GY6,35 - max. 1 x 50W
transfo. excluded
Wall or ceiling cover ZeZe see p.317





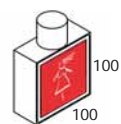
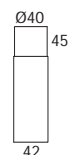
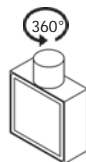
Ze-C OUT + Picto



picto	colour	code
1 side man & lady + 1 side ano		ZE.EX.3835
1 side man + 1 side ano	ano	ZE.EX.3836
1 side lady + 1 side ano		ZE.EX.3837
<hr/>		
1 side man & lady + 1 side white		ZE.EX.1835
1 side man + 1 side white	ano + white	ZE.EX.1836
1 side lady + 1 side white		ZE.EX.1837

230...240V - G9 - max. 1 x 40W
Ceiling cover Ze see p.317

ZeZe-C OUT + Picto



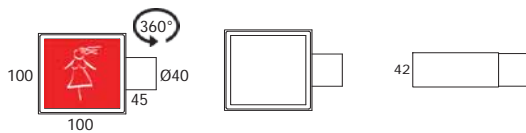
picto	colour	code
1 side man & lady + 1 side ano		ZE.EX.3846
1 side man + 1 side ano	ano	ZE.EX.3847
1 side lady + 1 side ano		ZE.EX.3848
<hr/>		
1 side man & lady + 1 side white		ZE.EX.1846
1 side man + 1 side white	alu + white	ZE.EX.1847
1 side lady + 1 side white		ZE.EX.1848

12V - GY6,35 - max. 1 x 35W
transfo. excluded
Ceiling cover ZeZe see p.317





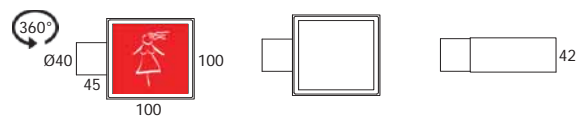
Ze-W OUT + Picto Left



picto	colour	code
1 side man & lady + 1 side ano		ZE.EX.3802
1 side man + 1 side ano	ano	ZE.EX.3805
1 side lady + 1 side ano		ZE.EX.3806
<hr/>		
1 side man & lady + 1 side white		ZE.EX.1802
1 side man + 1 side white	ano + white	ZE.EX.1805
1 side lady + 1 side white		ZE.EX.1806

230...240V - G9 - max. 1 x 40W
Wall cover Ze see p.317

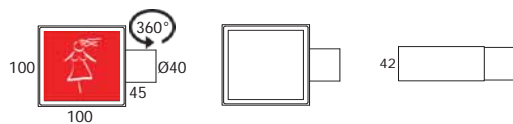
Ze-W OUT + Picto Right



picto	colour	code
1 side man & lady + 1 side ano		ZE.EX.3902
1 side man + 1 side ano	ano	ZE.EX.3905
1 side lady + 1 side ano		ZE.EX.3906
<hr/>		
1 side man & lady + 1 side white		ZE.EX.1902
1 side man + 1 side white	ano + white	ZE.EX.1905
1 side lady + 1 side white		ZE.EX.1906

230...240V - G9 - max. 1 x 40W
Wall cover Ze see p.317

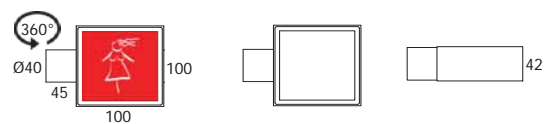
ZeZe-W OUT + Picto Left



picto	colour	code
1 side man & lady + 1 side ano		ZE.EX.3812
1 side man + 1 side ano	ano	ZE.EX.3815
1 side lady + 1 side ano		ZE.EX.3816
<hr/>		
1 side man & lady + 1 side white		ZE.EX.1812
1 side man + 1 side white	ano + white	ZE.EX.1815
1 side lady + 1 side white		ZE.EX.1816

12V - GY6,35 - max. 1 x 35W
transfo. excluded
Wall cover ZeZe see p.317

ZeZe-W OUT + Picto Right



picto	colour	code
1 side man & lady + 1 side ano		ZE.EX.3912
1 side man + 1 side ano	ano	ZE.EX.3915
1 side lady + 1 side ano		ZE.EX.3916
<hr/>		
1 side man & lady + 1 side white		ZE.EX.1912
1 side man + 1 side white	ano + white	ZE.EX.1915
1 side lady + 1 side white		ZE.EX.1916

12V - GY6,35 - max. 1 x 35W
transfo. excluded
Wall cover ZeZe see p.317





Zi OUT

360°
Ø40 45 42



	colour	code
1 side frosted glass + 1 side frosted glass		21.EX.3801
1 side blue frosted glass + 1 side frosted glass		21.EX.3851
1 side red frosted glass + 1 side frosted glass		21.EX.3861
1 side green frosted glass + 1 side frosted glass	ano	21.EX.3871
1 side blue transparent glass + 1 side frosted glass		21.EX.3821
1 side red transparent glass + 1 side frosted glass		21.EX.3831
1 side green transparent glass + 1 side frosted glass		21.EX.3841

1 side frosted glass + 1 side frosted glass		21.EX.1801
1 side blue frosted glass + 1 side frosted glass		21.EX.1851
1 side red frosted glass + 1 side frosted glass	ano	21.EX.1861
1 side green frosted glass + 1 side frosted glass	+ white	21.EX.1871
1 side blue transparent glass + 1 side frosted glass		21.EX.1821
1 side red transparent glass + 1 side frosted glass		21.EX.1831
1 side green transparent glass + 1 side frosted glass		21.EX.1841

230...240V - G9 - max. 1 x 60W
Wall or ceiling cover Zi see p.317

ZiU OUT

360°
Ø40 45 42



	colour	code
1 side frosted glass + 1 side frosted glass		21.EX.3811
1 side blue frosted glass + 1 side frosted glass		21.EX.3815
1 side red frosted glass + 1 side frosted glass		21.EX.3816
1 side green frosted glass + 1 side frosted glass	ano	21.EX.3817
1 side blue transparent glass + 1 side frosted glass		21.EX.3818
1 side red transparent glass + 1 side frosted glass		21.EX.3819
1 side green transparent glass + 1 side frosted glass		21.EX.3820

1 side frosted glass + 1 side frosted glass		21.EX.1811
1 side blue frosted glass + 1 side frosted glass		21.EX.1815
1 side red frosted glass + 1 side frosted glass	ano	21.EX.1816
1 side green frosted glass + 1 side frosted glass	+ white	21.EX.1817
1 side blue transparent glass + 1 side frosted glass		21.EX.1818
1 side red transparent glass + 1 side frosted glass		21.EX.1819
1 side green transparent glass + 1 side frosted glass		21.EX.1820

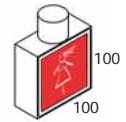
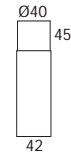
12V - GY6,35 - max. 1 x 50W
transfo. excluded
Wall or ceiling cover ZiU see p.317







Zi-C OUT + Picto

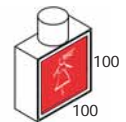
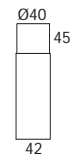


picto	colour	code
2 sides man & lady		ZI.EX.3905
2 sides man	ano	ZI.EX.3906
2 sides lady		ZI.EX.3907

2 sides man & lady		ZI.EX.1905
2 sides man	ano + white	ZI.EX.1906
2 sides lady		ZI.EX.1907

230...240V - G9 - max. 1 x 40W
Ceiling cover Zi see p.317

ZiU-C OUT + Picto



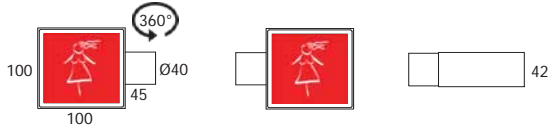
picto	colour	code
2 sides man & lady		ZI.EX.3925
2 sides man	ano	ZI.EX.3926
2 sides lady		ZI.EX.3927

2 sides man & lady		ZI.EX.1925
2 sides man	ano + white	ZI.EX.1926
2 sides lady		ZI.EX.1927

12V - GY6,35 - max. 1 x 35W
transfo. excluded
Ceiling cover ZiU see p.317



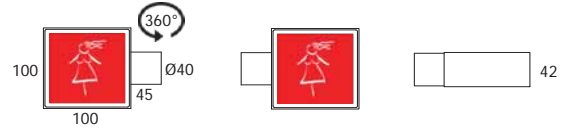
Zi-W OUT + Picto



picto	colour	code
2 sides man & lady		21.EX.3802
2 sides man	ano	21.EX.3804
2 sides lady		21.EX.3805
<hr/>		
2 sides man & lady		21.EX.1802
2 sides man	ano + white	21.EX.1804
2 sides lady		21.EX.1805

230...240V - G9 - max. 1 x 40W
Wall cover Zi see p.317

ZiU-W OUT + Picto

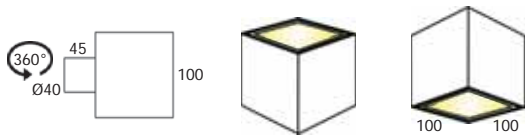


picto	colour	code
2 sides man & lady		21.EX.3812
2 sides man	ano	21.EX.3824
2 sides lady		21.EX.3825
<hr/>		
2 sides man & lady		21.EX.1812
2 sides man	ano + white	21.EX.1824
2 sides lady		21.EX.1825

12V - GY6,35 - max. 1 x 35W
transfo. excluded
Wall cover ZiU see p.317



Zo OUT



	colour	code
1 side frosted glass + 1 side frosted glass		21.EX.3901
1 side blue frosted glass + 1 side frosted glass		21.EX.3951
1 side red frosted glass + 1 side frosted glass		21.EX.3961
1 side green frosted glass + 1 side frosted glass	ano	21.EX.3971
1 side blue transparent glass + 1 side frosted glass		21.EX.3921
1 side red transparent glass + 1 side frosted glass		21.EX.3931
1 side green transparent glass + 1 side frosted glass		21.EX.3941

1 side frosted glass + 1 side frosted glass		21.EX.1901
1 side blue frosted glass + 1 side frosted glass		21.EX.1951
1 side red frosted glass + 1 side frosted glass	ano	21.EX.1961
1 side green frosted glass + 1 side frosted glass	+ white	21.EX.1971
1 side blue transparent glass + 1 side frosted glass		21.EX.1921
1 side red transparent glass + 1 side frosted glass		21.EX.1931
1 side green transparent glass + 1 side frosted glass		21.EX.1941

230...240V - G9 - max. 1 x 60W
Wall or ceiling cover Zo see p.317

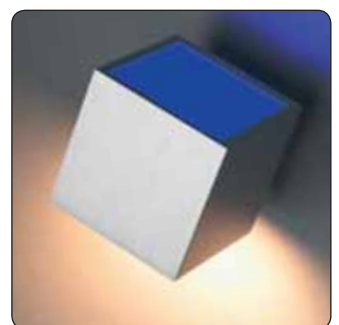
ZoZo OUT



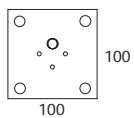
	colour	code
1 side frosted glass + 1 side frosted glass		21.EX.3911
1 side blue frosted glass + 1 side frosted glass		21.EX.3915
1 side red frosted glass + 1 side frosted glass		21.EX.3916
1 side green frosted glass + 1 side frosted glass	ano	21.EX.3917
1 side blue transparent glass + 1 side frosted glass		21.EX.3918
1 side red transparent glass + 1 side frosted glass		21.EX.3919
1 side green transparent glass + 1 side frosted glass		21.EX.3920

1 side frosted glass + 1 side frosted glass		21.EX.1911
1 side blue frosted glass + 1 side frosted glass		21.EX.1915
1 side red frosted glass + 1 side frosted glass	ano	21.EX.1916
1 side green frosted glass + 1 side frosted glass	+ white	21.EX.1917
1 side blue transparent glass + 1 side frosted glass		21.EX.1918
1 side red transparent glass + 1 side frosted glass		21.EX.1919
1 side green transparent glass + 1 side frosted glass		21.EX.1920

12V - GY6,35 - max. 1 x 50W
transfo. excluded
Wall or ceiling cover ZoZo see p.317



Cover Z... OUT



wall or ceiling cover square OUT

colour

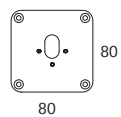
code

ano

21.AC.5201

white

21.AC.5202



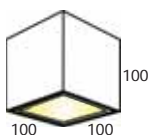
wall or ceiling cover square rounded OUT

ano

AC.EX.7006



ZoP OUT

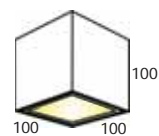


	colour	code
frosted glass		21.EX.3904
blue frosted glass		21.EX.3954
red frosted glass	ano	21.EX.3964
green frosted glass		21.EX.3974
<hr/>		
frosted glass		21.EX.1904
blue frosted glass		21.EX.1954
red frosted glass	ano + white	21.EX.1964
green frosted glass		21.EX.1974

230...240V - G9 - max. 1 x 60W

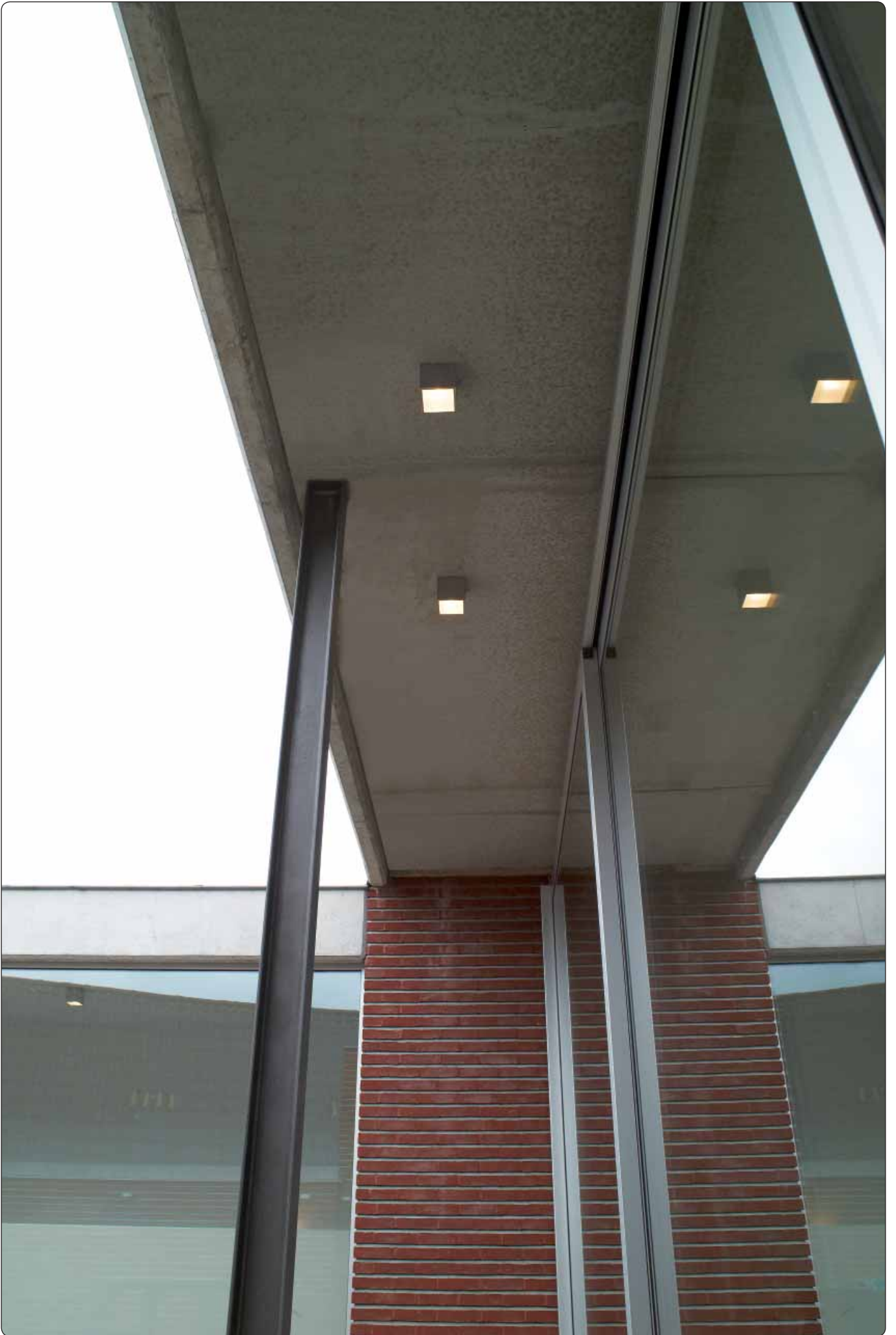


ZoZoP OUT

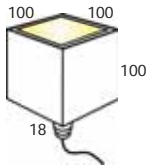


	colour	code
frosted glass		21.EX.3914
blue frosted glass		21.EX.3945
red frosted glass	ano	21.EX.3946
green frosted glass		21.EX.3947
<hr/>		
frosted glass		21.EX.1914
blue frosted glass		21.EX.1945
red frosted glass	ano + white	21.EX.1946
green frosted glass		21.EX.1947

12V - GY6,35 - max. 1 x 50W
transfo. excluded



ZoT OUT

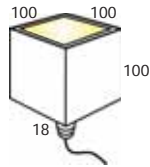


230...240V - G9 - max. 1 x 60W
Accessories Zot see p.320

	colour	code
frosted glass		21.EX.3905
blue frosted glass	ano	21.EX.3950
red frosted glass		21.EX.3960
green frosted glass		21.EX.3970

frosted glass		21.EX.1905
blue frosted glass	ano + white	21.EX.1950
red frosted glass		21.EX.1960
green frosted glass		21.EX.1970

ZoZoT OUT



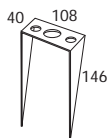
12V - GY6,35 - max. 1 x 50W
transfo. excluded
Accessories ZoZoT see p.320

	colour	code
frosted glass		21.EX.3906
blue frosted glass	ano	21.EX.3956
red frosted glass		21.EX.3966
green frosted glass		21.EX.3976

frosted glass		21.EX.1906
blue frosted glass	ano + white	21.EX.1956
red frosted glass		21.EX.1966
green frosted glass		21.EX.1976



Accessories Zot/ZoZoT OUT



ground spike for Saver,
Zot & ZoZoT Out

colour	code
black	21.AC.2902



4 x double foot for Saver,
Zot & ZoZoT Out

colour	code
ano	21.AC.2904

[trizo]21[®]

All models: © copyright Bruno Van Meenen
Product design: Bruno Van Meenen
Copyright Trizo21 bvba

All information in this catalogue is without engagement and can always be modified. Trizo21 bvba has the right to change the technical aspects of its products at any time without prior notice. All products are supplied without bulbs. No part of this catalogue may be reproduced without written authorisation of Trizo21 bvba.

Thanks to: Olivier C., Maggy, Diego, Louis, Danielle, Arne, Julien, Dieter, Fabrice, Ilse, Jean-Claude, Eric V.M., Gaëtan V.M., Leo B., Mariette B., Eric B., Monica O., Dagmar J., Andreas M., Ruediger L., Christian S., Gernot M., Ralph J., Patrycja R., Paul v.d.V., Johnny T., Harri S., Helena & Fredrik E., Kaj R., Huriye D., and all others ...

For Julie, Lucas & Camille

[trizo]21[®]

Kerrebroek 52 B-9850 Nevele Belgium phone: +32 (0)9.380.43.43 fax: +32 (0)9.380.43.44 e-mail: info@trizo21.com www.trizo21.com

[trizo] 21[®]